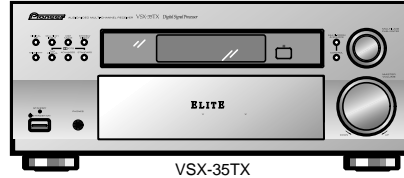


Service Manual

Pioneer



ORDER NO.
RRV2351

AUDIO/VIDEO MULTI-CHANNEL RECEIVER

VSX-35TX

VSX-33TX

THIS MANUAL IS APPLICABLE TO THE FOLLOWING MODEL(S) AND TYPE(S).

Type	Model		Power Requirement	Remarks
	VSX-35TX	VSX-33TX		
KUXJI/CA	○		AC120V	
KUXJI/CA		○	AC120V	

CONTENTS

1. SAFETY INFORMATION	2	7. GENERAL INFORMATION	90
2. EXPLODED VIEWS AND PARTS LIST	3	7.1 DISASSEMBLY	90
3. BLOCK DIAGRAM AND SCHEMATIC DIAGRAM	8	7.2 PARTS	92
4. PCB CONNECTION DIAGRAM	48	7.2.1 IC	92
5. PCB PARTS LIST	76	7.2.2 DISPLAY	97
6. ADJUSTMENT	89	7.3 REMOTE CONTROL UNIT	100
		8. PANEL FACILITIES AND SPECIFICATIONS	105

PIONEER ELECTRONIC CORPORATION 4-1, Meguro 1-chome, Meguro-ku, Tokyo 153-8654, Japan
 PIONEER ELECTRONICS SERVICE, INC. P.O. Box 1760, Long Beach, CA 90801-1760, U.S.A.
 PIONEER EUROPE N V Haven 1087, Keetberglaan 1, 9120 Melsele, Belgium
 PIONEER ELECTRONICS ASIACENTRE PTE. LTD. 253 Alexandra Road, #04-01, Singapore 159936
 © PIONEER ELECTRONIC CORPORATION 2000

1. SAFETY INFORMATION

This service manual is intended for qualified service technicians ; it is not meant for the casual do-it-yourselfer. Qualified technicians have the necessary test equipment and tools, and have been trained to properly and safely repair complex products such as those covered by this manual.

Improperly performed repairs can adversely affect the safety and reliability of the product and may void the warranty. If you are not qualified to perform the repair of this product properly and safely, you should not risk trying to do so and refer the repair to a qualified service technician.



WARNING

This product contains lead in solder and certain electrical parts contain chemicals which are known to the state of California to cause cancer, birth defects or other reproductive harm.

Health & Safety Code Section 25249.6 – Proposition 65



NOTICE

(FOR CANADIAN MODEL ONLY)

Fuse symbols  (fast operating fuse) and/or  (slow operating fuse) on PCB indicate that replacement parts must be of identical designation.

REMARQUE

(POUR MODÈLE CANADIEN SEULEMENT)

Les symboles de fusible  (fusible de type rapide) et/ou  (fusible de type lent) sur CCI indiquent que les pièces de remplacement doivent avoir la même désignation.

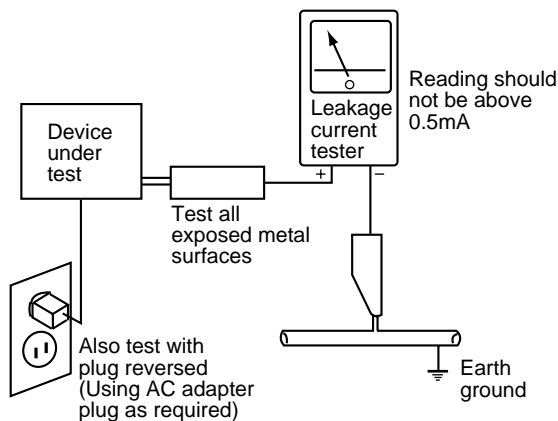
(FOR USA MODEL ONLY)

1. SAFETY PRECAUTIONS

The following check should be performed for the continued protection of the customer and service technician.

LEAKAGE CURRENT CHECK

Measure leakage current to a known earth ground (water pipe, conduit, etc.) by connecting a leakage current tester such as Simpson Model 229-2 or equivalent between the earth ground and all exposed metal parts of the appliance (input/output terminals, screwheads, metal overlays, control shaft, etc.). Plug the AC line cord of the appliance directly into a 120V AC 60Hz outlet and turn the AC power switch on. Any current measured must not exceed 0.5mA.



AC Leakage Test

ANY MEASUREMENTS NOT WITHIN THE LIMITS OUTLINED ABOVE ARE INDICATIVE OF A POTENTIAL SHOCK HAZARD AND MUST BE CORRECTED BEFORE RETURNING THE APPLIANCE TO THE CUSTOMER.

2. PRODUCT SAFETY NOTICE

Many electrical and mechanical parts in the appliance have special safety related characteristics. These are often not evident from visual inspection nor the protection afforded by them necessarily can be obtained by using replacement components rated for voltage, wattage, etc. Replacement parts which have these special safety characteristics are identified in this Service Manual.

Electrical components having such features are identified by marking with a Δ on the schematics and on the parts list in this Service Manual.

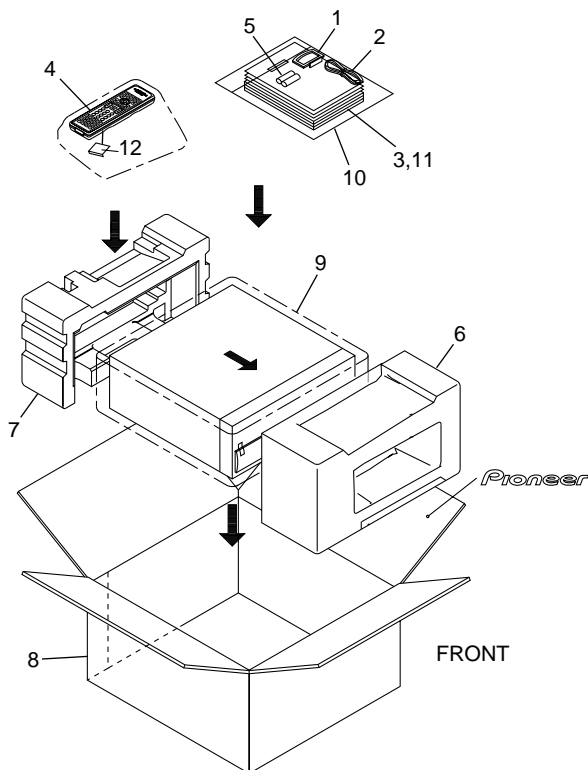
The use of a substitute replacement component which does not have the same safety characteristics as the PIONEER recommended replacement one, shown in the parts list in this Service Manual, may create shock, fire, or other hazards.

Product Safety is continuously under review and new instructions are issued from time to time. For the latest information, always consult the current PIONEER Service Manual. A subscription to, or additional copies of, PIONEER Service Manual may be obtained at a nominal charge from PIONEER.

2. EXPLODED VIEWS AND PARTS LIST

- NOTES:
- Parts marked by "NSP" are generally unavailable because they are not in our Master Spare Parts List.
 - The Δ mark found on some component parts indicates the importance of the safety factor of the part. Therefore, when replacing, be sure to use parts of identical designation.
 - Screws adjacent to \blacktriangledown mark on the product are used for disassembly.

2.1 PACKING



(1) PACKING PARTS LIST

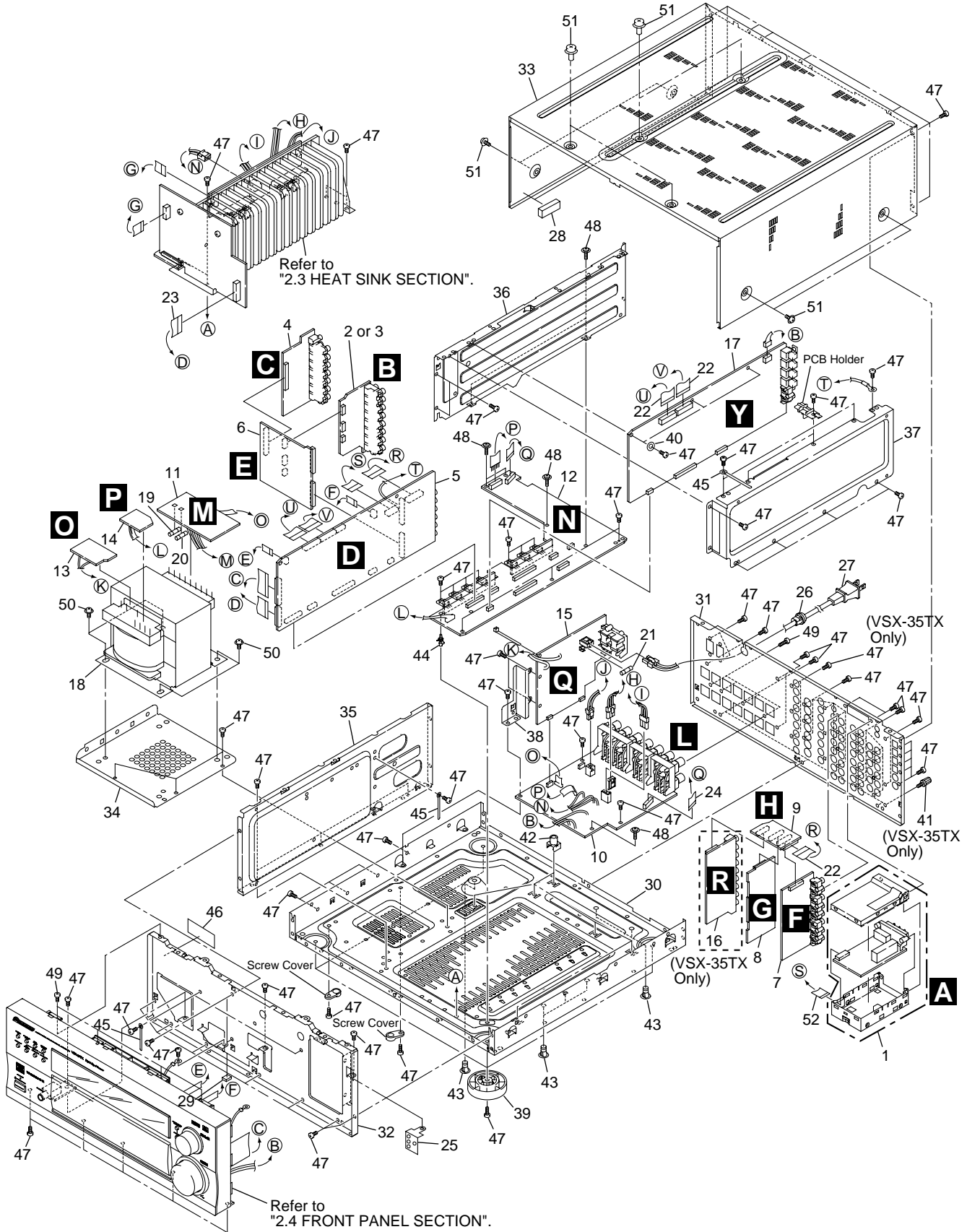
Mark	No.	Description	Part No.
	1	AM Loop Antenna	ATB7009
	2	FM Wire Antenna	ADH7004
	3	Operating Instructions (English)	See Contrast table (2)
	4	Remote Control Unit	See Contrast table (2)
NSP	5	Alkaline Dry Cell Battery (LR6, AA)	VEM1021
	6	Front Pad 35	AHA7287
	7	Rear Pad 35	AHA7288
	8	Packing Case	See Contrast table (2)
	9	Packing Sheet	AHG7010
NSP	10	Polyethylene Bag (230 × 340 × 0.03)	Z21-038
NSP	11	Warranty Card	ARY7007
	12	Battery Cover	See Contrast table (2)

(2) CONTRAST TABLE

VSX-35TX and VSX-33TX are constructed the same except for the following :

Mark	No.	Symbol and Description	Part No.		Remarks
			VSX-35TX	VSX-33TX	
	3	Operating Instructions (English)	ARB7222	ARB7223	
	4	Remote Control Unit (35TX)	AXD7266	Not used	
	4	Remote Control Unit (33TX)	Not used	AXD7267	
	8	Packing Case 35TX	AHD7860	Not used	
	8	Packing Case 33TX	Not used	AHD7861	
	12	Battery Cover	AZN7841	AZN7826	

2.2 EXTERIOR SECTION



(1) EXTERIOR PARTS LIST

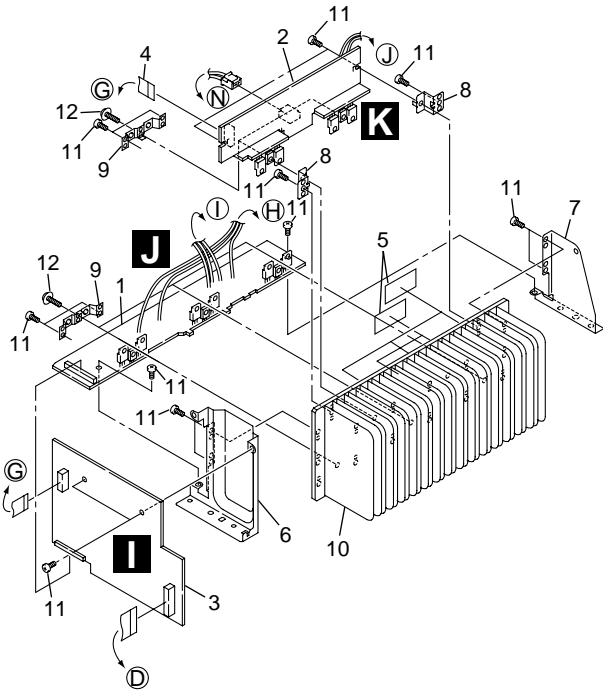
Mark	No.	Description	Part No.	Mark	No.	Description	Part No.
	1	FM/AM TUNER Module	AXQ7231		26	Cord Stopper	CM-22C
	2	EX I/O Assy	See Contrast table (2)	△	27	Power Cord	VDG1075
	3	5.1CH I/O Assy	See Contrast table (2)		28	Spacer 35 (3 × 10 × 40)	AEB7210
	4	INPUT Assy	See Contrast table (2)		29	Cushion 8 × 8	AED7046
	5	MAIN CONTROL Assy	See Contrast table (2)	NSP	30	Under Base	ANA7113
	6	A-CONNECTION Assy	See Contrast table (2)		31	Rear Panel	See Contrast table (2)
	7	COMPOSITE Assy	See Contrast table (2)	NSP	32	Panel Stay 35	AND7035
	8	S VIDEO Assy	See Contrast table (2)		33	Bonnet 35	AZN7835
	9	V-CONNECTION Assy	See Contrast table (2)		34	Trans Frame 35	ANG7292
	10	SP/PS Assy	See Contrast table (2)		35	Trans Shield 35	ANG7293
	11	TRANS 2-1 Assy	AWX7572		36	DSP Shield 35 A	ANG7295
	12	REGULATOR Assy	AWX7562		37	DSP Shield 35 B	ANG7296
	13	TRANS 2-2 Assy	See Contrast table (2)		38	Primary Angle 35	ANG7301
NSP	14	TRANS 1 Assy	AWX7564		39	Insulator	PNW2766
	15	PRIMARY Assy	AWX7563		40	Fiber Washer	VEC1254
	16	COMPONENT Assy	See Contrast table (2)		41	Earth Terminal	See Contrast table (2)
	17	DSP Assy	See Contrast table (2)		42	PCB Mold	AMR2534
△	18	Power Transformer (T1)	ATS7284		43	Card Spacer	DNK2769
△	19	Fuse (FU4 : 2.5A)	REK1112		44	Locking Card Spacer	PNW2917
△	20	Fuse (FU5 : 2.5A)	REK1112		45	Cord Clamper	RNH-184
△	21	Fuse (FU1 : 10A)	VEK1029		46	65 Label	ARW7050
	22	20P Flexible Cable/60V	ADD7241		47	Screw	BBZ30P080FZK
	23	22P Flexible Cable/60V	ADD7243		48	Screw	IBZ30P150FCC
	24	14P Flexible Cable/60V	ADD7244		49	Screw	IBZ30P100FCC
	25	SE Angle 35	ANG7335		50	Screw	ABA7066
					51	Screw	FBT40P080FZK
					52	13P Flexible Cable/60V	ADD7242

(2) CONTRAST TABLE

VSX-35TX and VSX-33TX are constructed the same except for the following :

Mark	No.	Symbol and Description	Part No.		Remarks
			VSX-35TX	VSX-33TX	
	2	EX I/O Assy	AWX7568	Not used	
	3	5.1CH I/O Assy	Not used	AWX7613	
	4	INPUT Assy	AWX7573	AWX7585	
	5	MAIN CONTROL Assy	AWX7560	AWX7610	
	6	A-CONNECTION Assy	AWX7566	AWX7619	
	7	COMPOSITE Assy	AWX7581	AWX7617	
	8	S VIDEO Assy	AWX7580	AWX7616	
	9	V-CONNECTION Assy	AWX7567	AWX7717	
	10	SP/PS Assy	AWX7571	AWX7721	
	13	TRANS 2-2 Assy	AWX7565	AWX7720	
	16	COMPONENT Assy	AWX7582	Not used	
	17	DSP Assy	AWX7561	AWX7611	
	31	Rear Panel 35	ANC7910	Not used	
	31	Rear Panel 33	Not used	ANC7911	
	41	Earth Terminal	AKE-031	Not used	

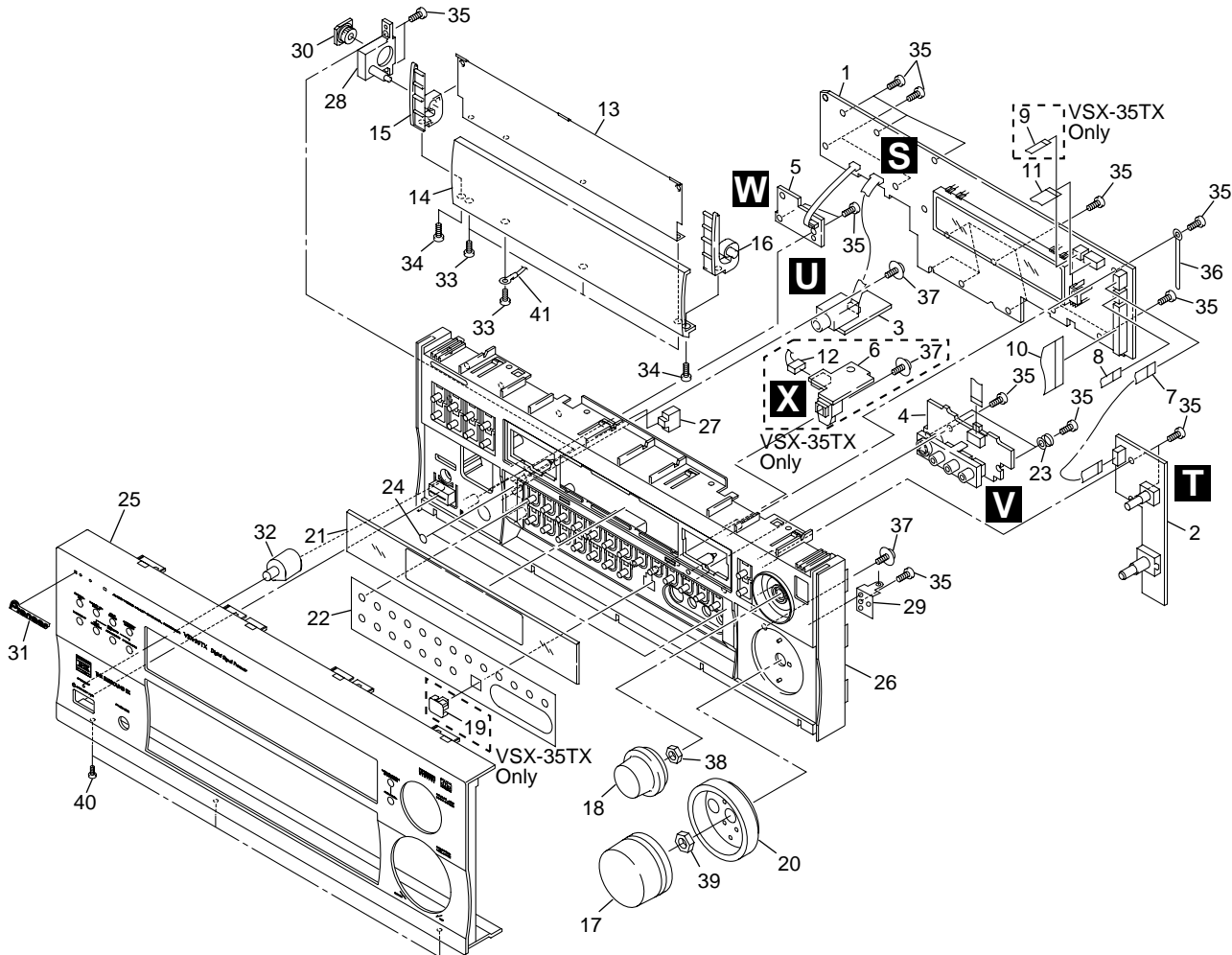
2.3 HEAT SINK SECTION



● HEAT SINK SECTION PARTS LIST

Mark	No.	Description	Part No.
	1	FRONT AMP Assy	AWX7569
	2	REAR AMP Assy	AWX7570
	3	V-AMP Assy	AWX7578
	4	13P Flexible Cable/60V	ADD7242
	5	Mica Sheet 35	AEE7035
	6	H.S Angle 35 F	ANG7297
	7	H.S Angle 35 R	ANG7298
	8	PCB Angle 35	ANG7299
	9	FET Angle 35	ANG7300
NSP	10	Heat Sink 35	ANH7126
	11	Screw	BBZ30P080FZK
	12	Screw	IBZ30P150FCC

2.4 FRONT PANEL SECTION



(1) FRONT PANEL SECTION PARTS LIST

Mark	No.	Description	Part No.	Mark	No.	Description	Part No.
	1	DISPLAY Assy	See Contrast table (2)		21	Window	See Contrast table (2)
	2	VOLUME-CONT Assy	AWX7577		22	Door Sheet	See Contrast table (2)
	3	HEADPHONE Assy	AWX7602	NSP	23	Earth Spring 35	ABH7193
	4	FRONT AV Assy	AWX7579		24	Cushion Circle 6B	AED7044
	5	STAND BY Assy	AWX7576		25	Front Panel	See Contrast table (2)
	6	FRONT DIGIN Assy	See Contrast table (2)		26	Panel Base 35	AMB7695
	7	7P Flexible Cable/60V	ADD7236		27	Magnet 35	AMF7007
	8	5P Flexible Cable/60V	ADD7237		28	Door Shaft 35	AMR7295
	9	4P Flexible Cable/60V	See Contrast table (2)		29	SE Angle 35	ANG7334
	10	32P Flexible Cable/60V	ADD7239		30	Damper Assy (100)	AXA7089
	11	8P Flexible Cable/60V	ADD7240		31	Pioneer Badge	PAM1776
	12	5P Shield Wire with Housing	See Contrast table (2)		32	LED Lens	PNW2019
	13	Door Stay 35	AAH7063		33	Screw	BBZ26P060FZK
	14	Door 35	AMB7692		34	Screw	BPZ26P080FMC
	15	Door Hinge 35 L	AMR7291		35	Screw	BPZ30P080FMC
	16	Door Hinge 35 R	AMR7293		36	Cord Clamper	RNH-184
	17	Volume Knob 26	AAB7193		37	Screw	ABA7009
	18	Rotary Knob 35	AAB7226		38	Nut	MK70FUC
	19	Digital Cap 35	See Contrast table (2)		39	Nut	MK90FUC
	20	Volume Ring 26	AAK7623		40	Screw	BBZ30P080FZK
					41	Earth Lead Wire	ADH7022

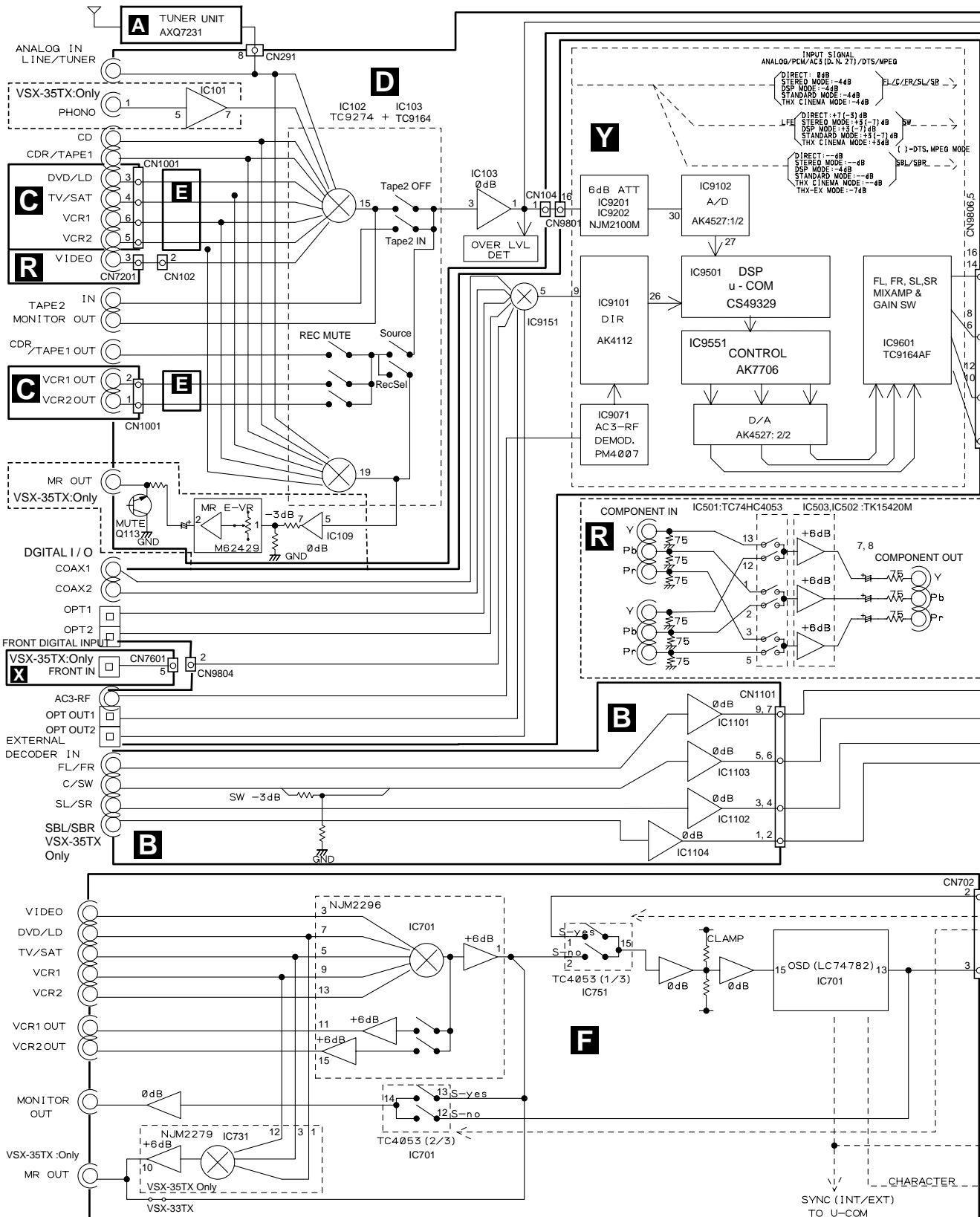
(2) CONTRAST TABLE

VSX-35TX and VSX-33TX are constructed the same except for the following :

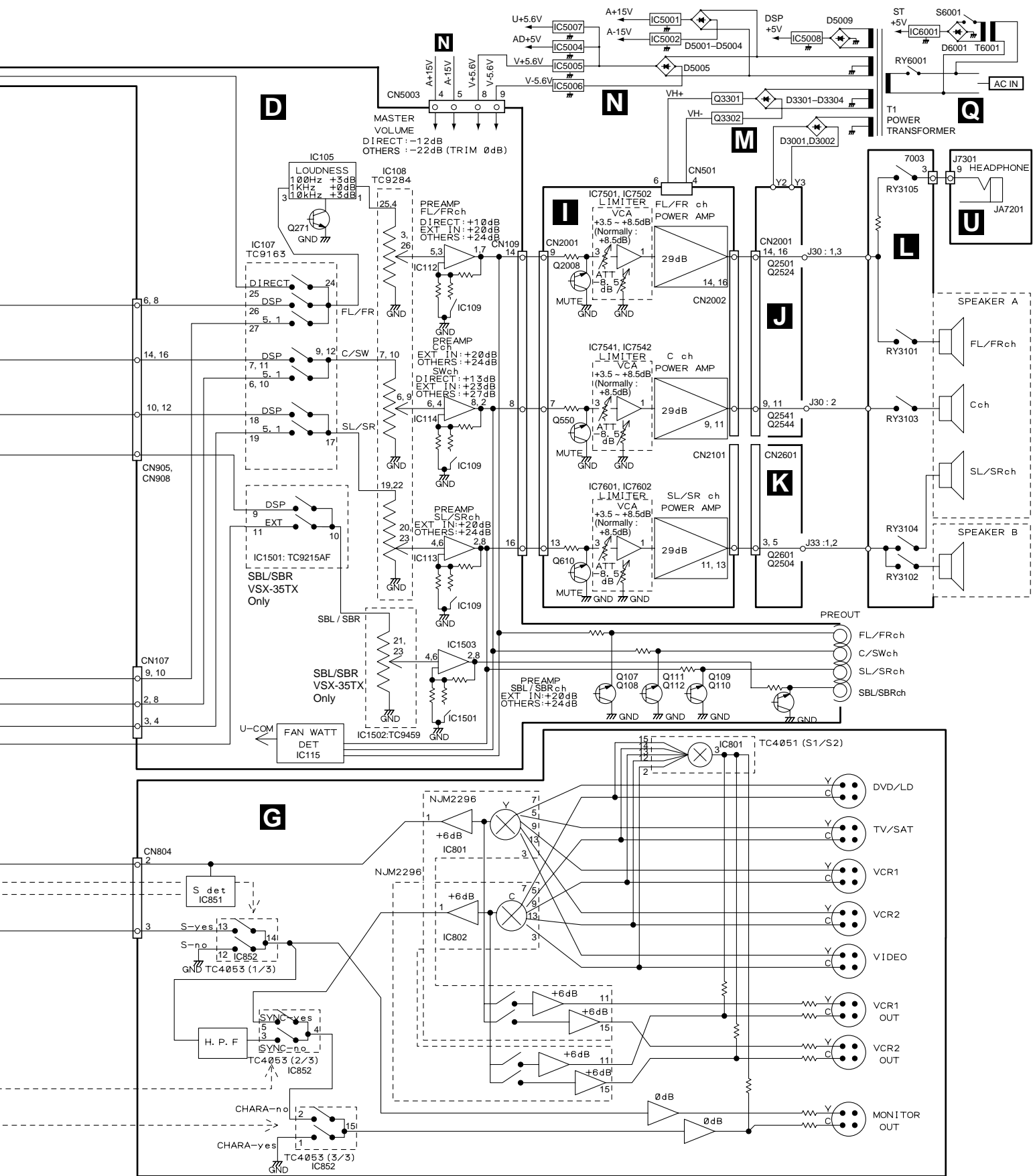
Mark	No.	Symbol and Description	Part No.		Remarks
			VSX-35TX	VSX-33TX	
	1	DISPLAY Assy	AWX7574	AWX7614	
	6	FRONT DIGIN Assy	AWX7648	Not used	
	9	4P Flexible Cable/60V	ADD7238	Not used	
	12	5P Shield Wire with Housing	ADX7344	Not used	
	19	Digital Cap 35	AAD7576	Not used	
	21	Window 35R	AAK7769	Not used	
	21	Window 33R	Not used	AAK7733	
	22	Door Sheet 35	AAK7783	Not used	
	22	Door Sheet 33	Not used	AAK7775	
	25	Front Panel 35	AMB7691	Not used	
	25	Front Panel 33	Not used	AMB7714	

3. BLOCK DIAGRAM AND SCHEMATIC DIAGRAM

3.1 BLOCK DIAGRAM



VSX-35TX, VSX-33TX



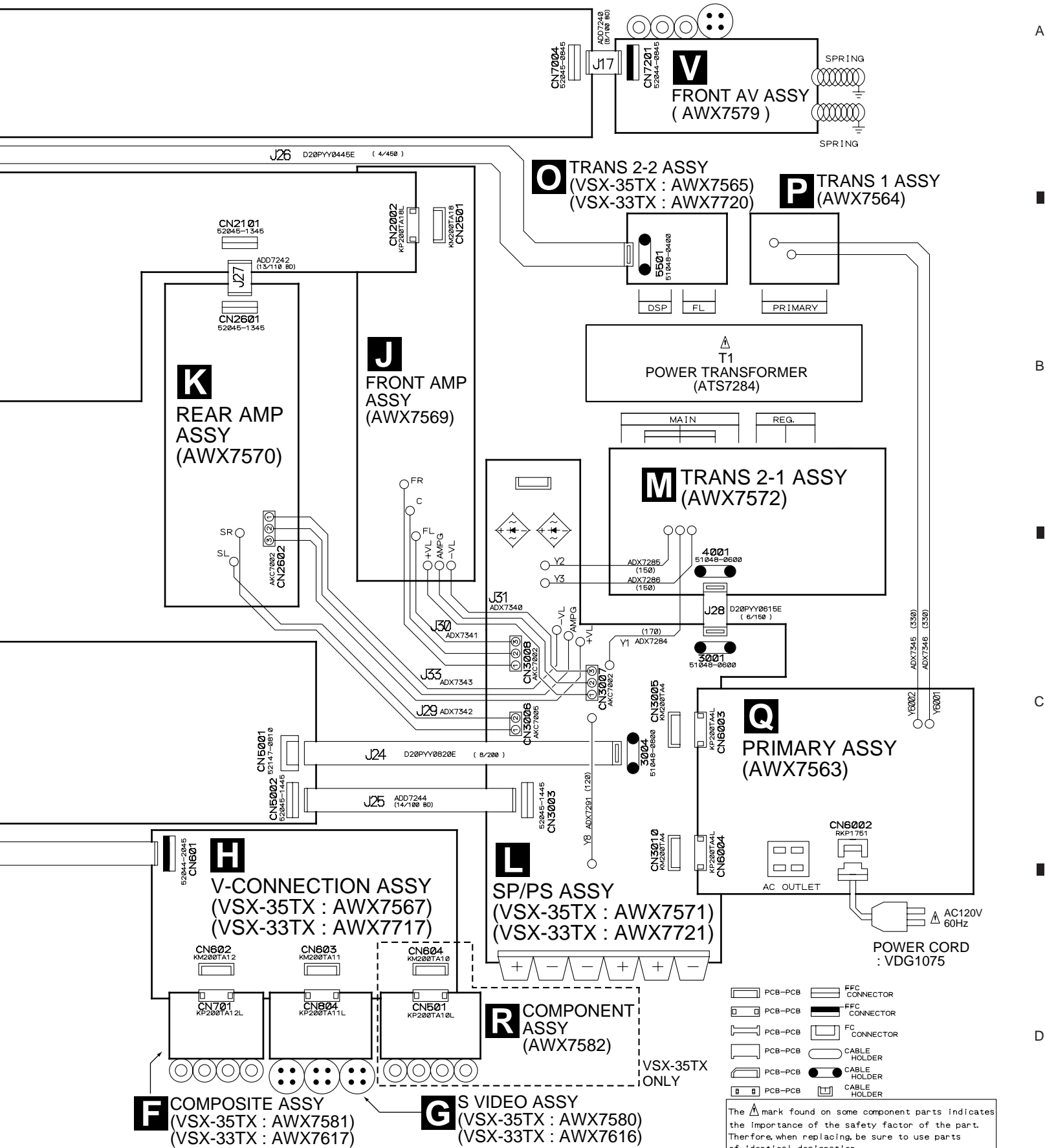
A

B

C

D

Note : When ordering service parts, be sure to refer to "EXPLODED VIEWS and PARTS LIST" or "PCB PARTS LIST".



	PCB-PCB		FFC CONNECTOR
	PCB-PCB		FFC CONNECTOR
	PCB-PCB		FC CONNECTOR
	PCB-PCB		CABLE HOLDER
	PCB-PCB		CABLE HOLDER
	PCB-PCB		CABLE HOLDER

The Δ mark found on some component parts indicates the importance of the safety factor of the part. Therefore, when replacing, be sure to use parts of identical designation.

Notes

1. RESISTORS


Indicated in Ω, 1/16W±5% Tolerance unless otherwise noted K:KΩ, M:MΩ.

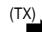
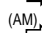
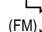
2. CAPACITORS

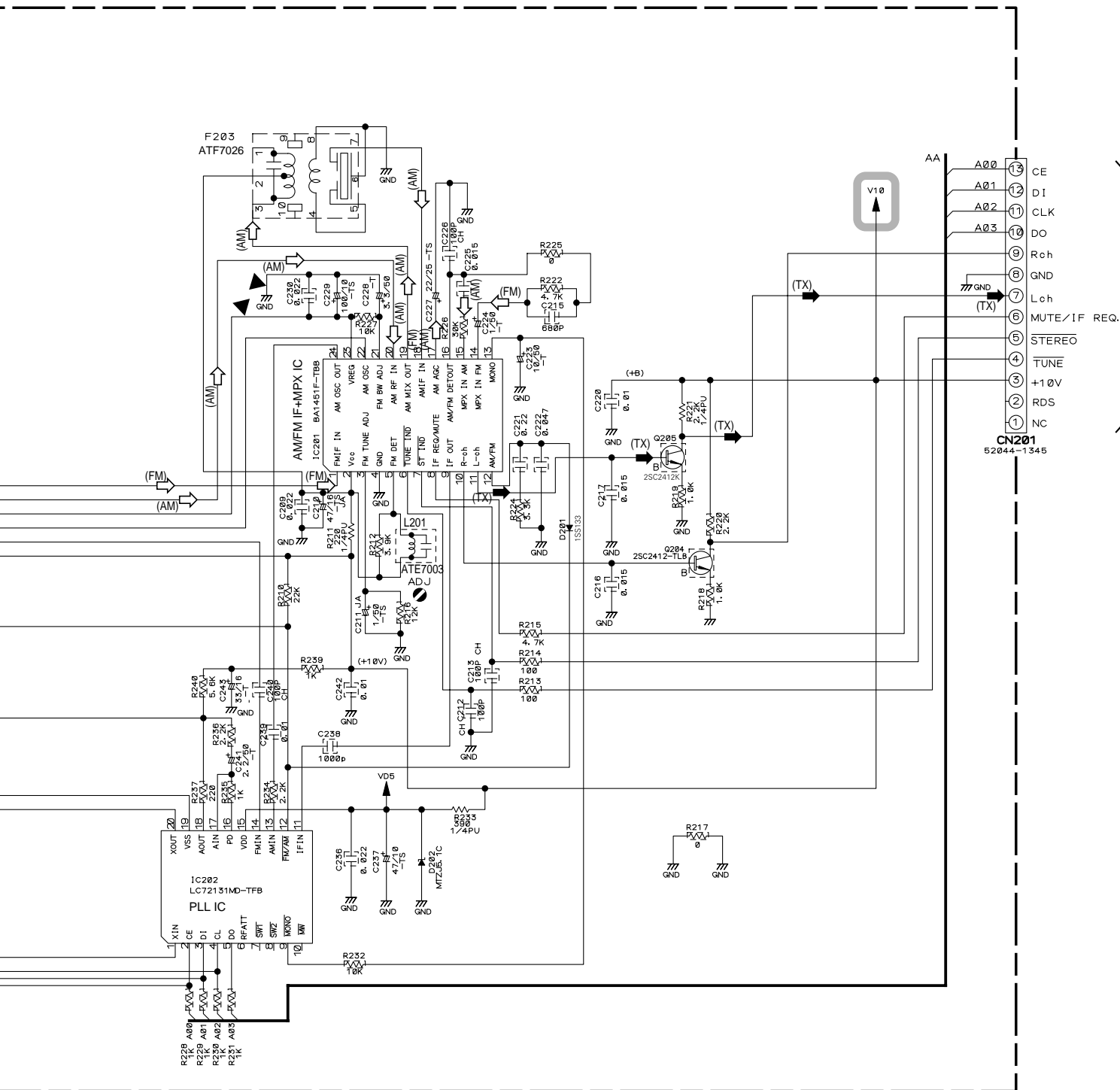
Indicated in Capacity (μF)/VOLTAGE (V) unless otherwise noted P:PF.

3. DIODES

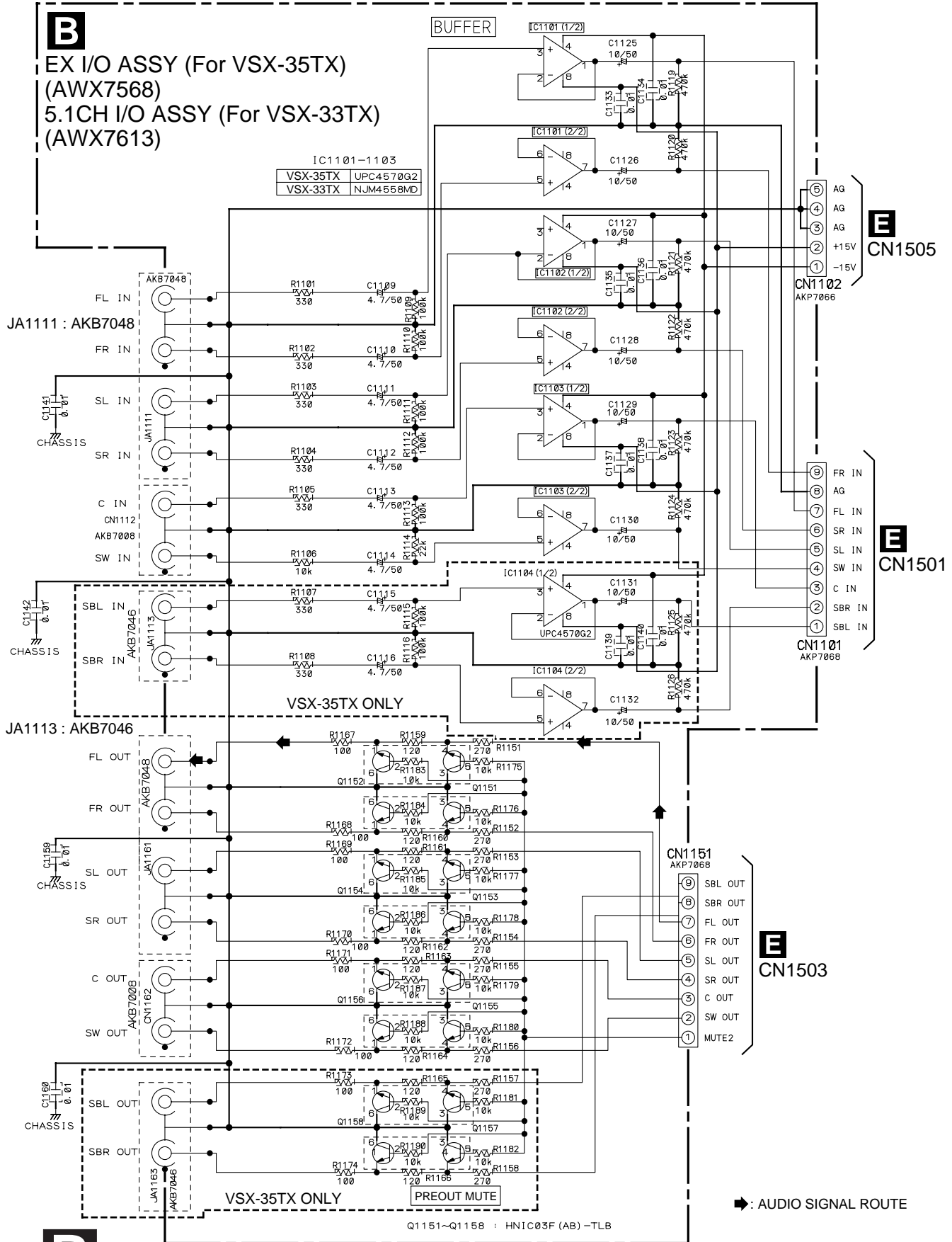
No mark diode is 1SS133.

 : The power supply is shown with the marked box.

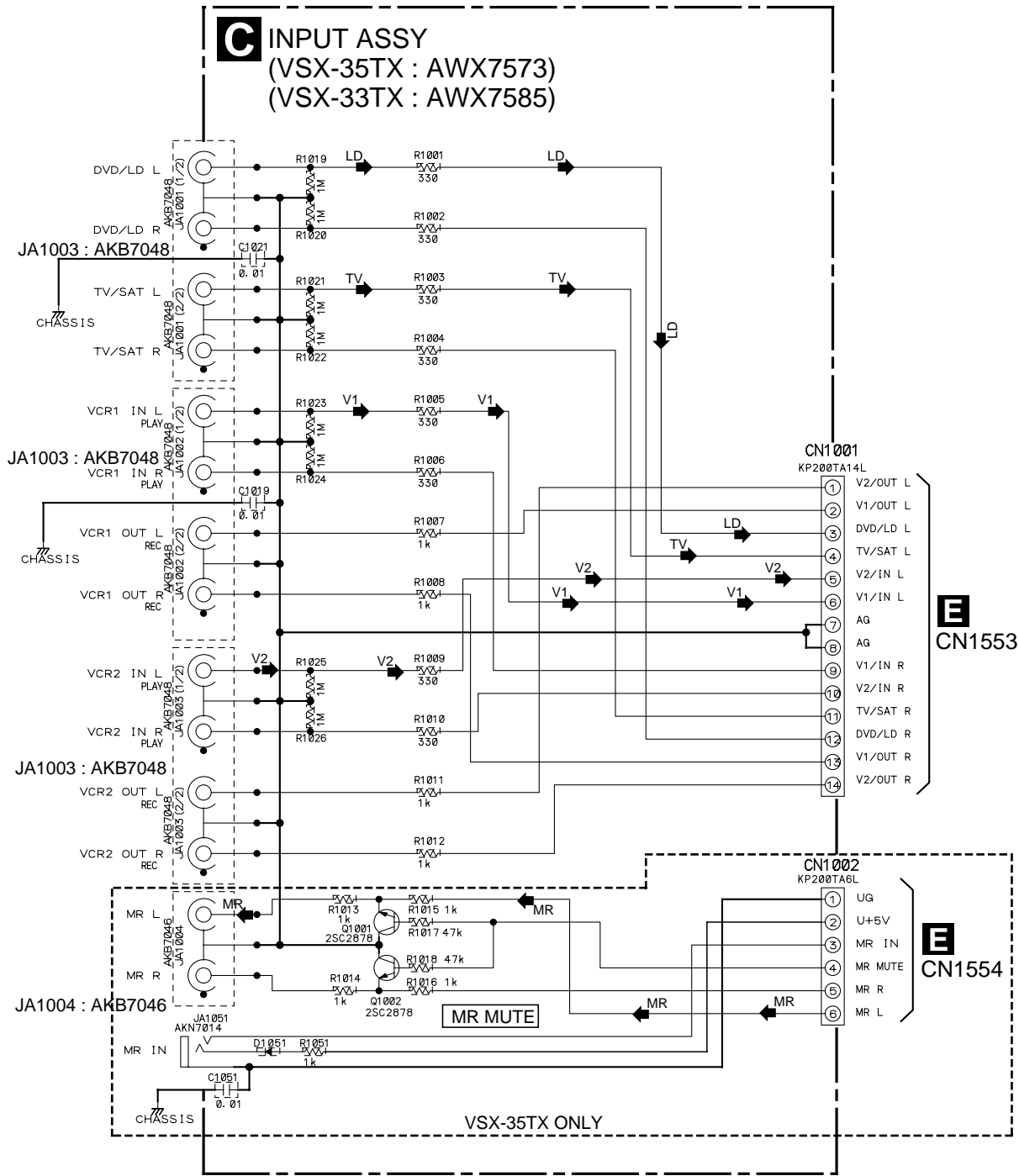
-  : AUDIO SIGNAL ROUTE (TUNER)
-  : AM SIGNAL ROUTE
-  : FM SIGNAL ROUTE



3.4 EX I/O (5.1CH I/O) ASSY

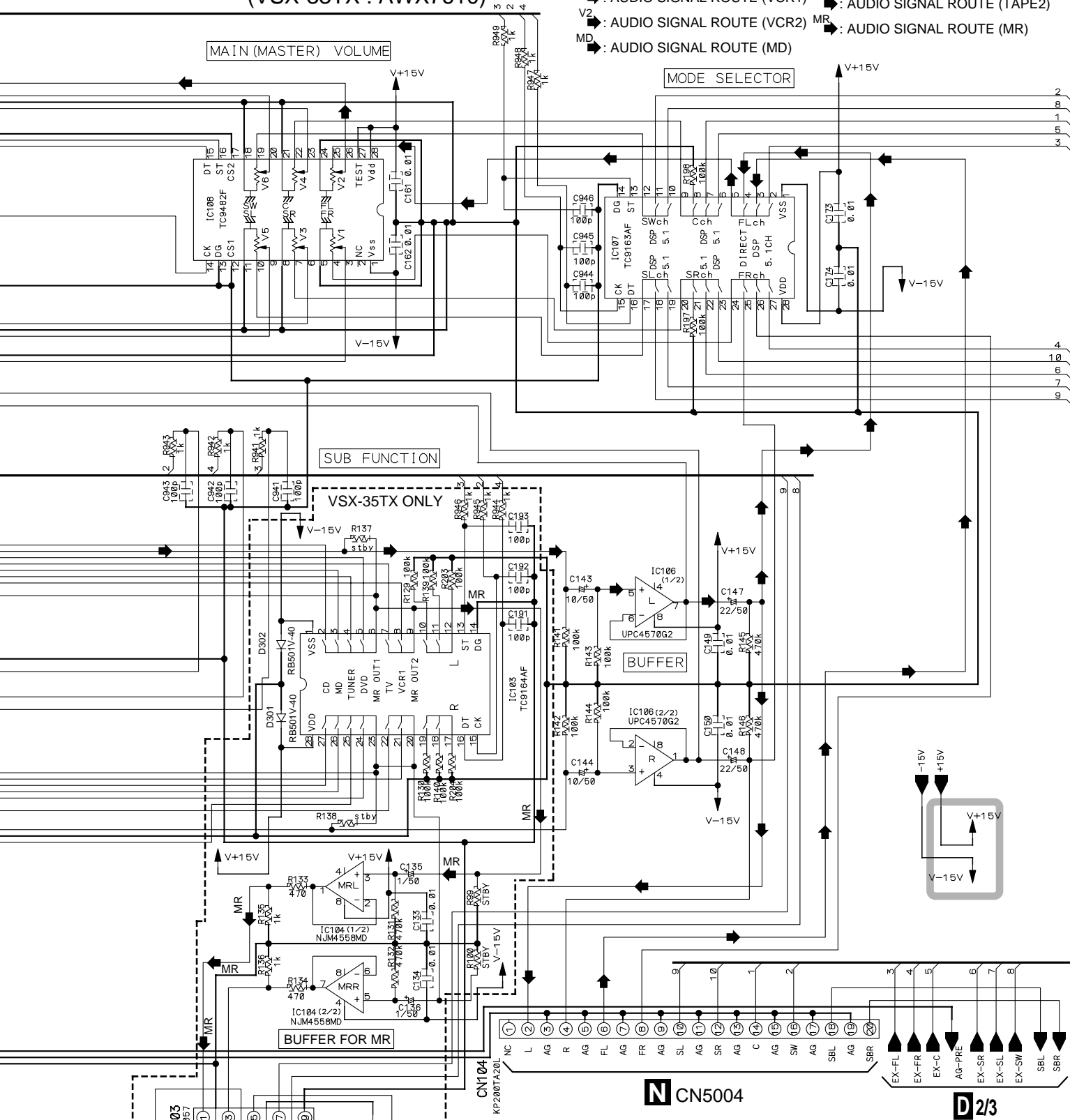


3.5 INPUT ASSY



D 1/3 MAIN CONTROL ASSY (VSX-35TX : AWX7560) (VSX-33TX : AWX7610)

- LD : AUDIO SIGNAL ROUTE (LD)
- TV : AUDIO SIGNAL ROUTE (TV)
- V1 : AUDIO SIGNAL ROUTE (VCR1)
- V2 : AUDIO SIGNAL ROUTE (VCR2)
- MD : AUDIO SIGNAL ROUTE (MD)
- P : AUDIO SIGNAL ROUTE (PHONO)
- TU : AUDIO SIGNAL ROUTE (TUNER)
- CD : AUDIO SIGNAL ROUTE (CD)
- T2 : AUDIO SIGNAL ROUTE (TAPE2)
- MR : AUDIO SIGNAL ROUTE (MR)



S1 [1:10]

D 2/3 E CN1552

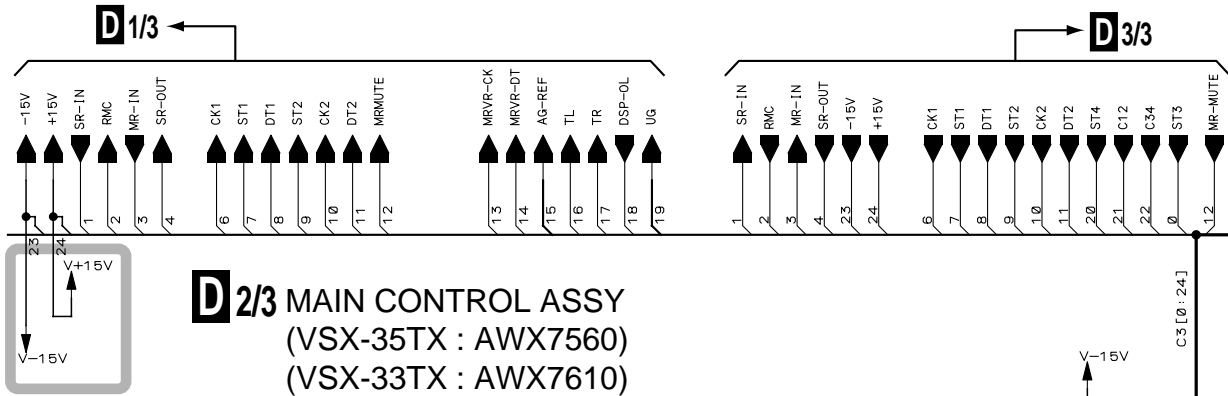
CN5004

D 2/3

D 1/3

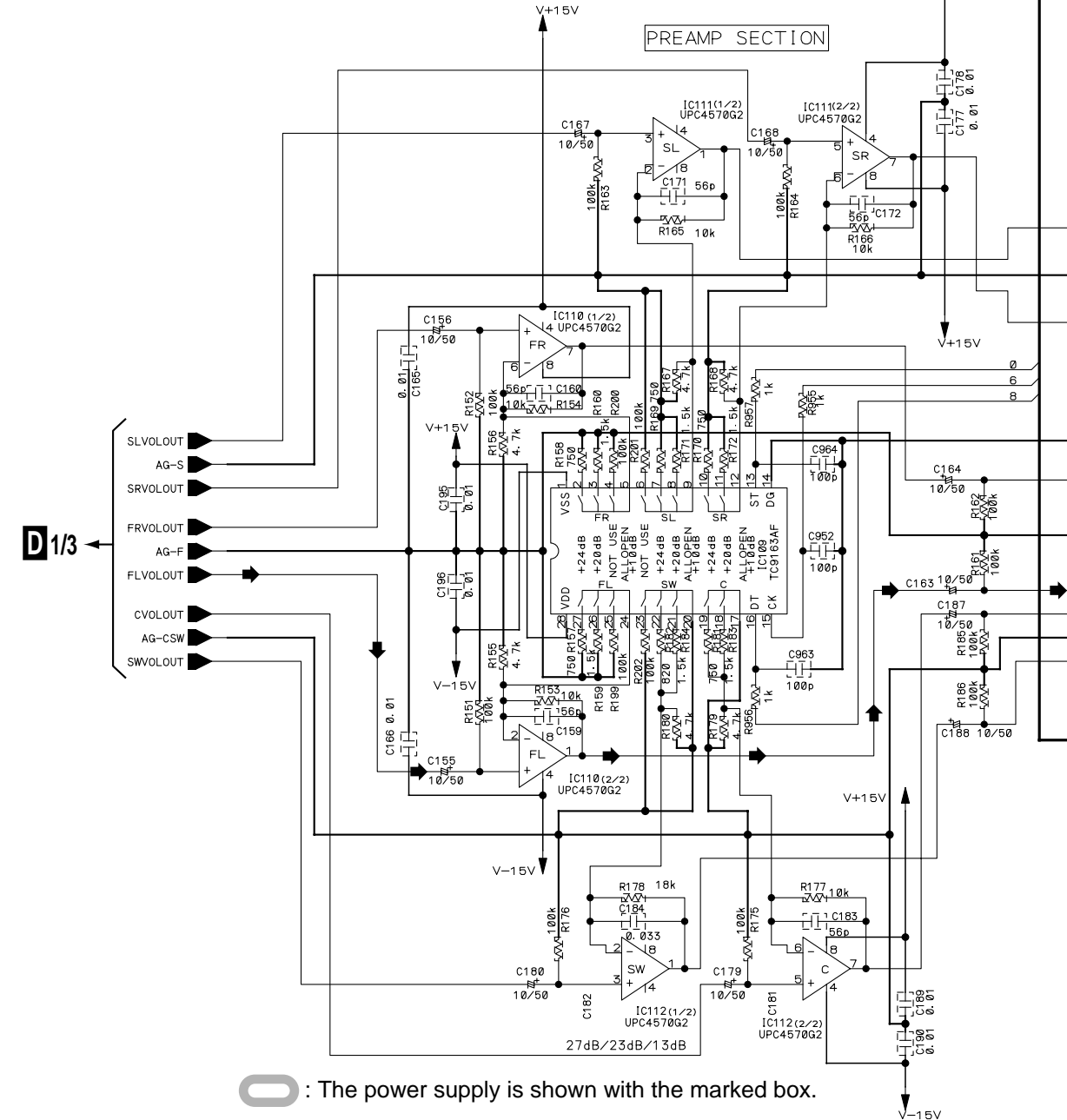
3.7 MAIN CONTROL ASSY (2/3)

A

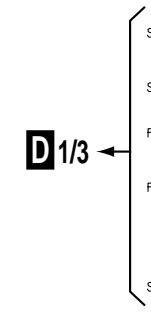


D 2/3 MAIN CONTROL ASSY
(VSX-35TX : AWX7560)
(VSX-33TX : AWX7610)

B

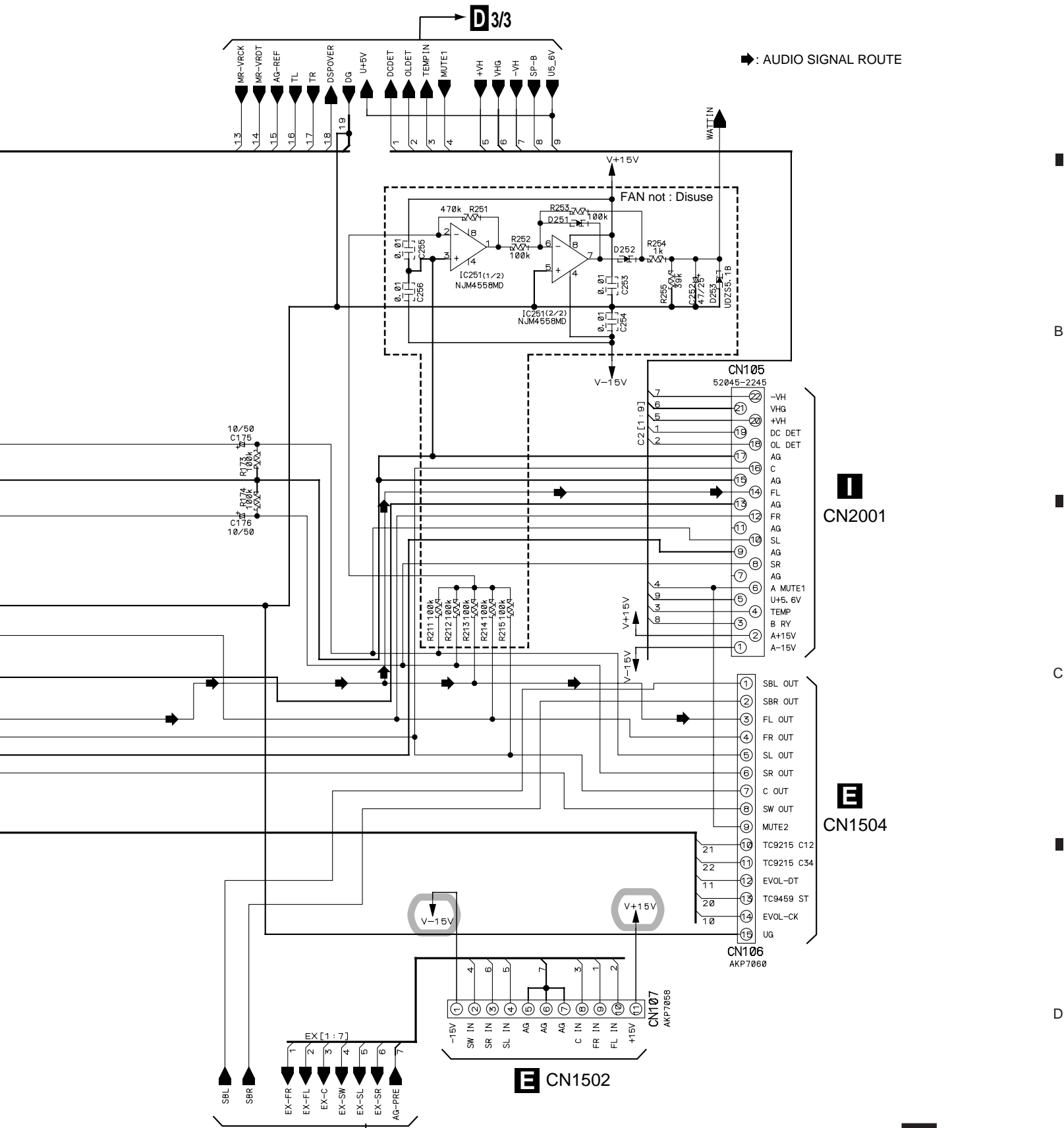


C



D

: The power supply is shown with the marked box.



D 3/3

▶: AUDIO SIGNAL ROUTE

CN2001

CN1504

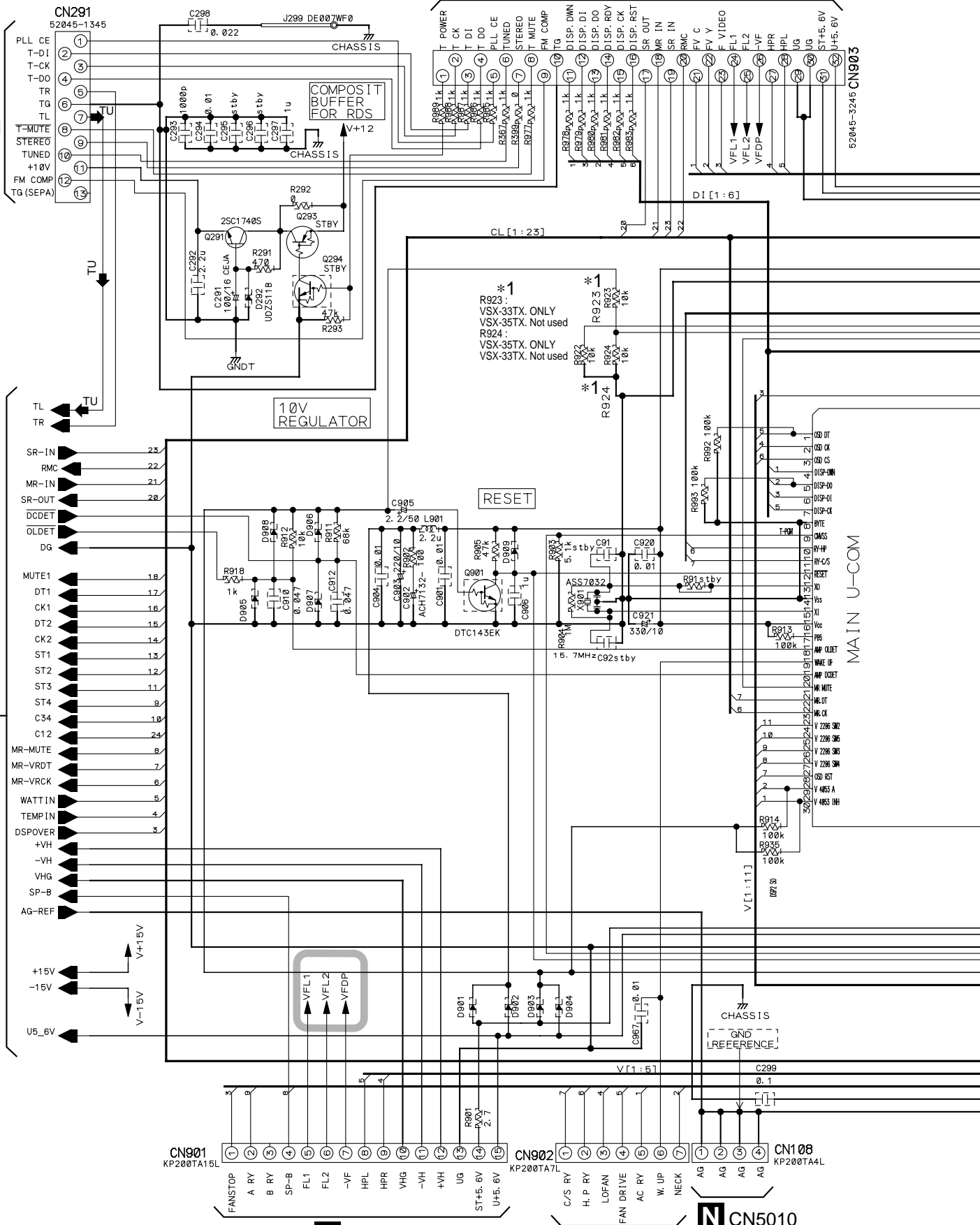
CN1502

D 2/3

3.8 MAIN CONTROL ASSY (3/3)

S CN7001

A CN201



D 2/3

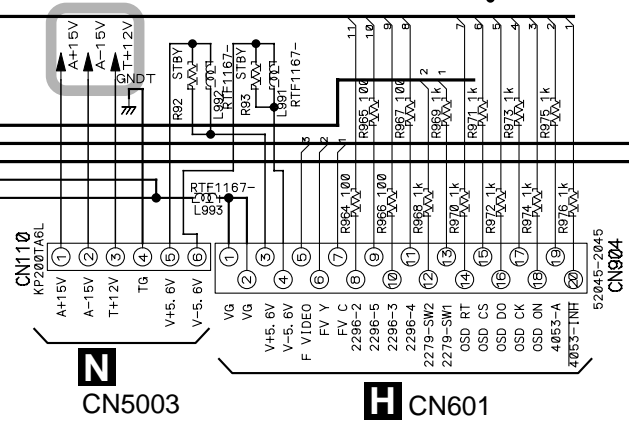
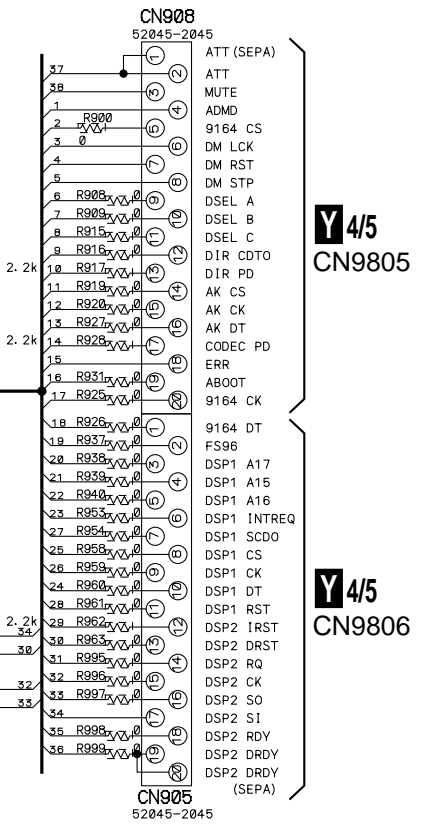
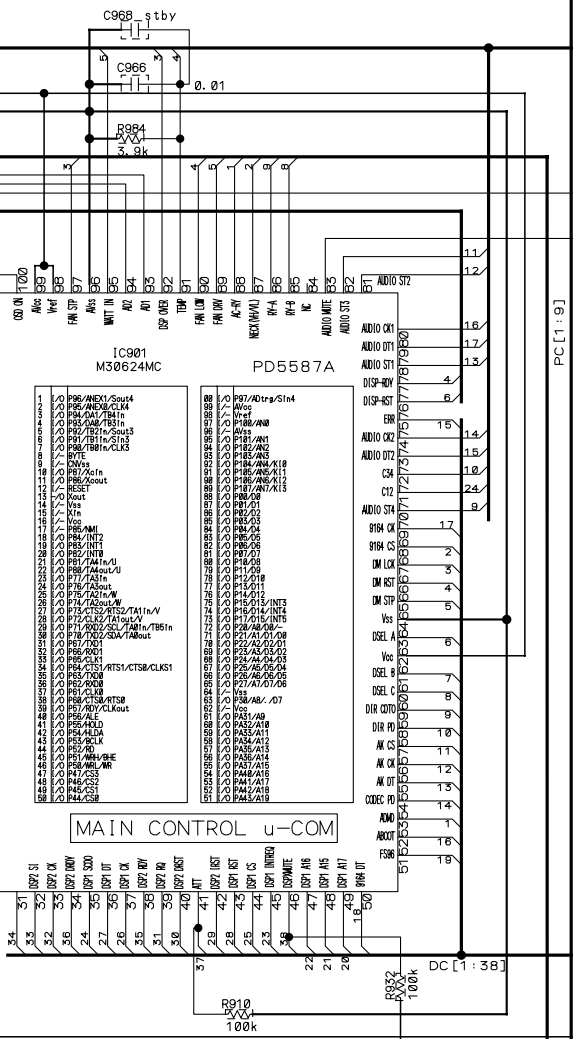
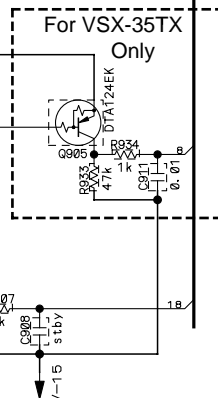
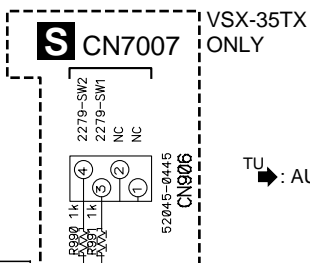
D 3/3

N CN5005

N CN5008

N CN5010

D 3/3 MAIN CONTROL ASSY
 (VSX-35TX : AWX7560)
 (VSX-33TX : AWX7610)



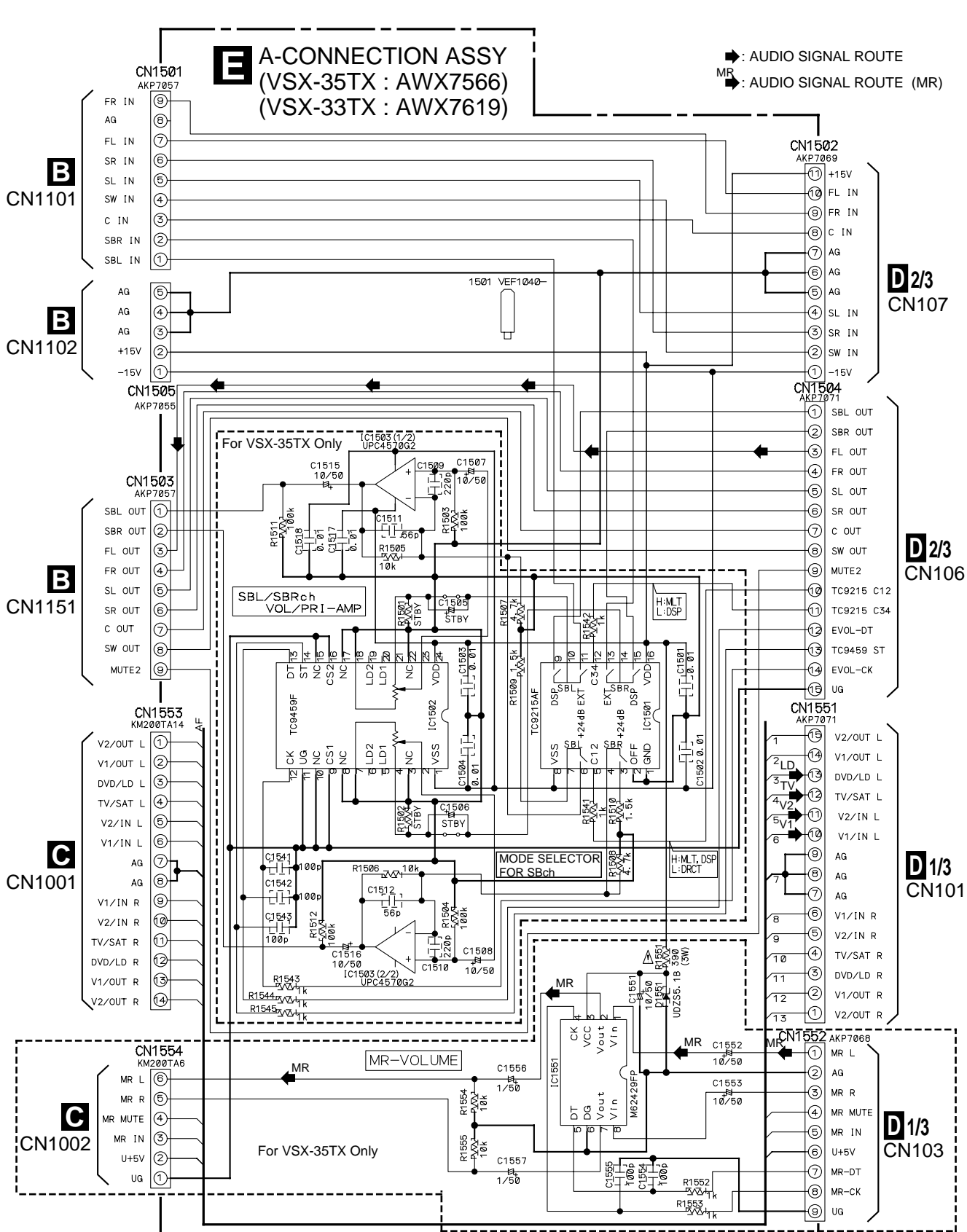
A

B

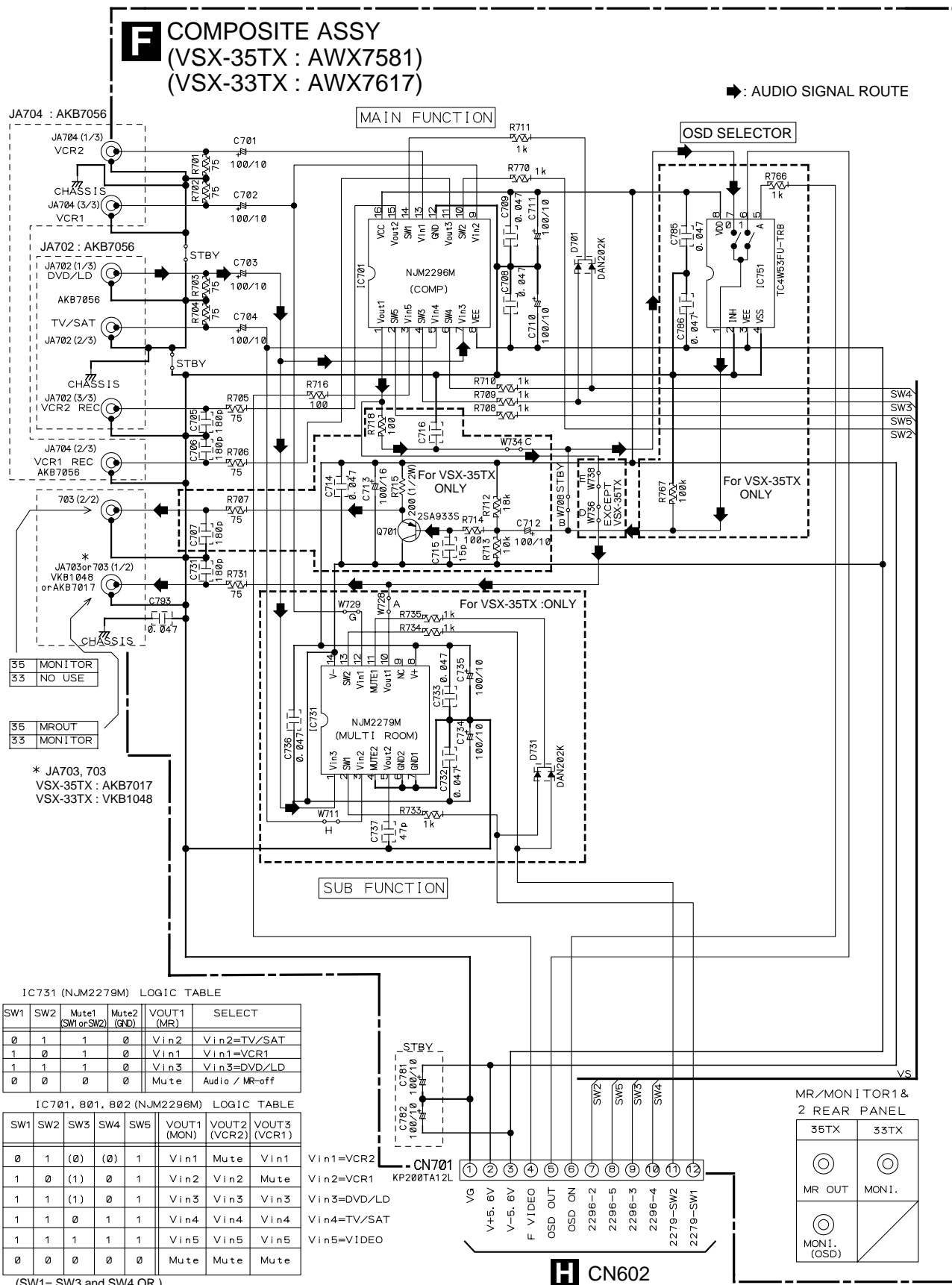
C

D

3.9 A-CONNECTION ASSY



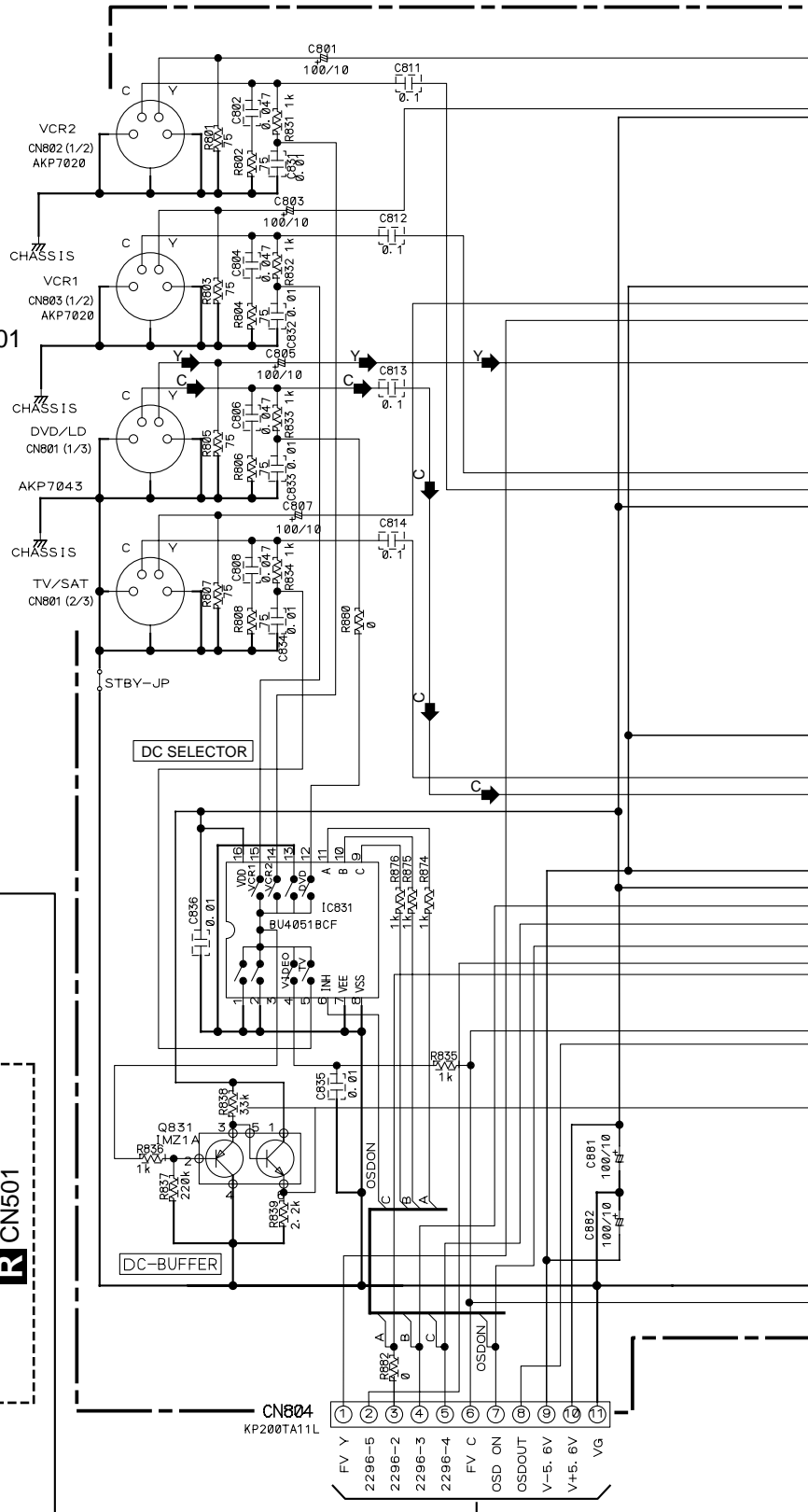
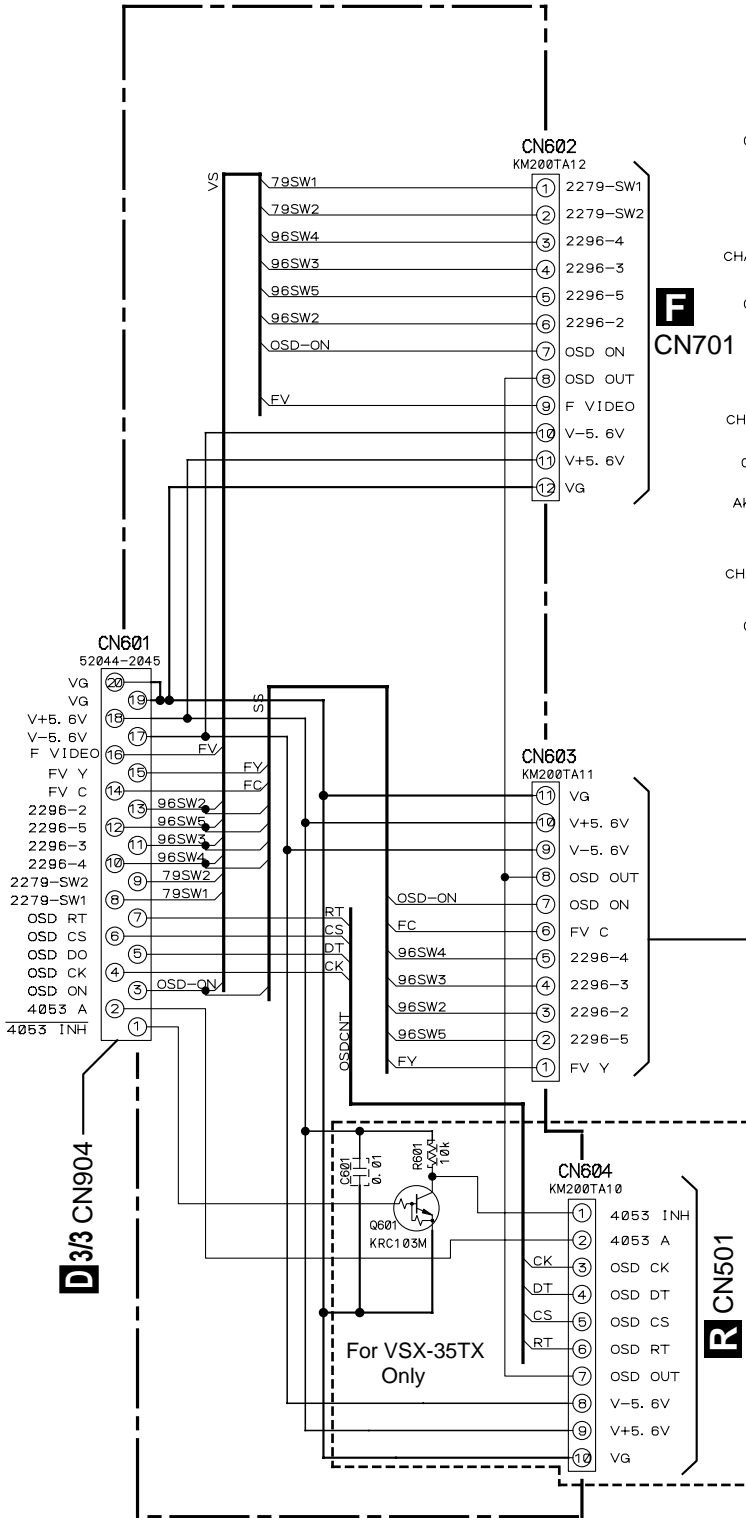
3.10 COMPOSITE ASSY



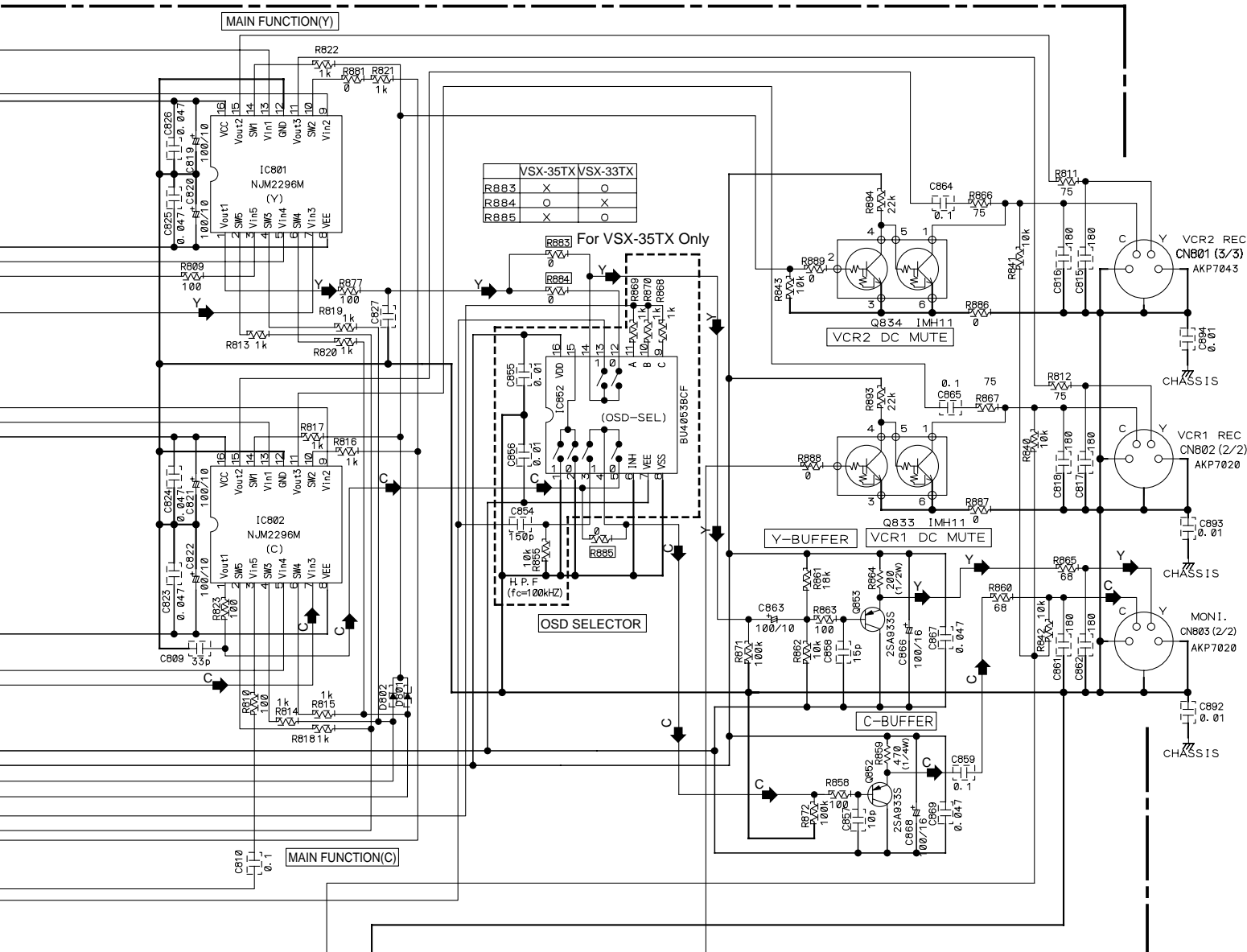
3.11 S VIDEO and V-CONNECTION ASSYS

H V-CONNECTION ASSY
 (VSX-35TX : AWX7567)
 (VSX-33TX : AWX7717)

G S VIDEO ASSY
 (VSX-35TX : AWX7580)
 (VSX-33TX : AWX7616)



- : AUDIO SIGNAL ROUTE
- : Y SIGNAL ROUTE
- : C SIGNAL ROUTE



	VSX-35TX	VSX-33TX
R883	X	O
R884	X	X
R885	O	O

For VSX-35TX Only

TABLE IC801, 802 (NJM2296M)

SW1	SW2	SW3	SW4	SW5	VOUT1 (MON)	VOUT2 (VCR2)	VOUT3 (VCR1)	
0	1	(0)	(0)	1	Vin1	Mute	Vin1	Vin1=VCR2
1	0	(1)	0	1	Vin2	Vin2	Mute	Vin2=VCR1
1	1	(1)	0	1	Vin3	Vin3	Vin3	Vin3=DVD/LD
1	1	0	1	1	Vin4	Vin4	Vin4	Vin4=TV/SAT
1	1	1	1	1	Vin5	Vin5	Vin5	Vin5=VIDEO
0	0	0	0	0	Mute	Mute	Mute	AUDIO FUNC.

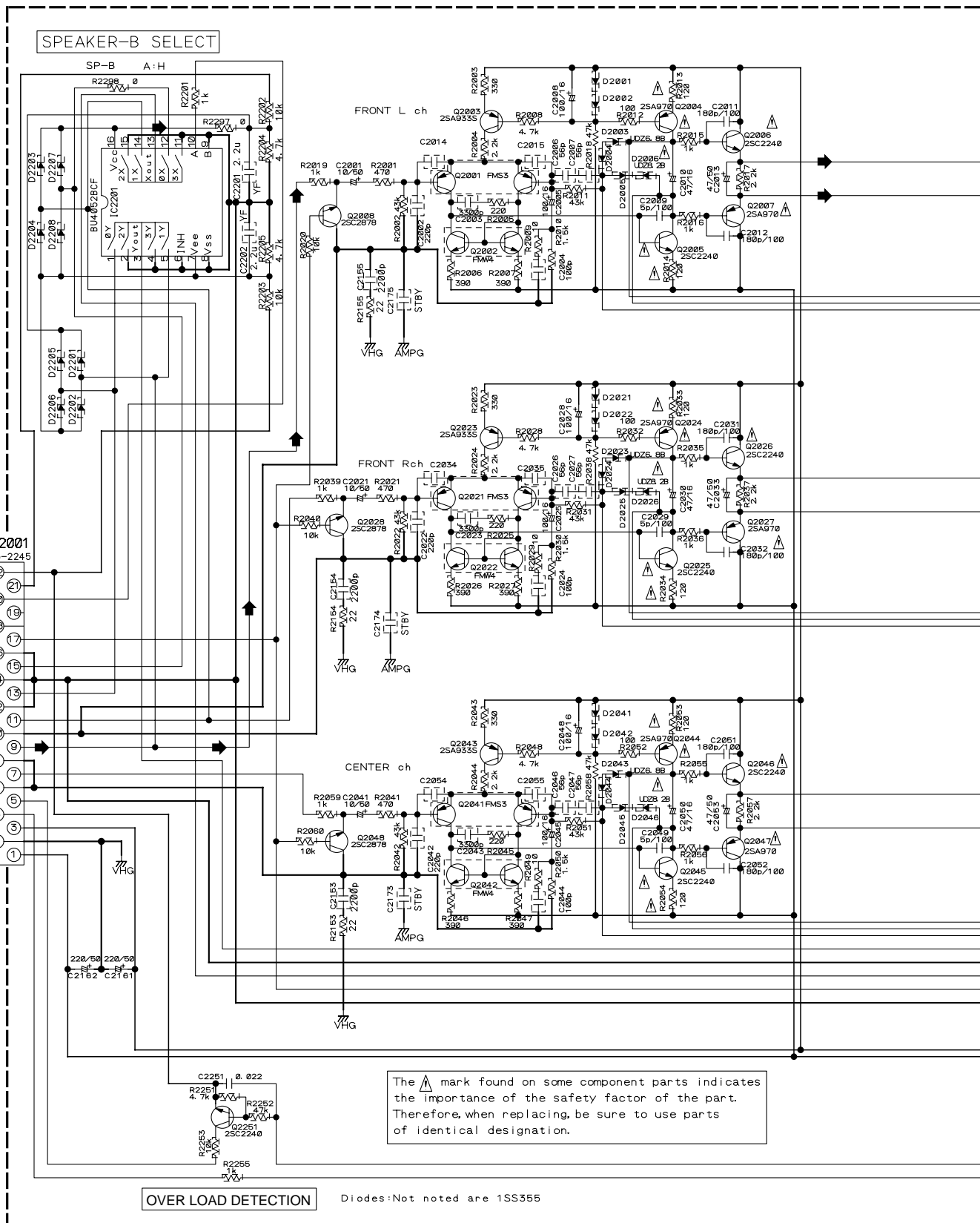
(SW1=SW3*SW4)

TABLE IC831 (BU4051BCF)

A (SW2)	B (SW3)	C (SW4)	INH	OUT	
0	0	0	0	AUDIO	13p
1	0	0	0	VCR2	14p
0	1	0	0	VCR1	15p
1	1	0	0	DVD/LD	12p
0	0	1	0		1p
1	0	1	0	TV/SAT	5p
0	1	1	0		2p
1	1	1	0	FV	4p
*	*	*	1		



3.12 V-AMP ASSY



The Δ mark found on some component parts indicates the importance of the safety factor of the part. Therefore, when replacing, be sure to use parts of identical designation.

OVER LOAD DETECTION Diodes: Not noted are 1SS355

A

B

C

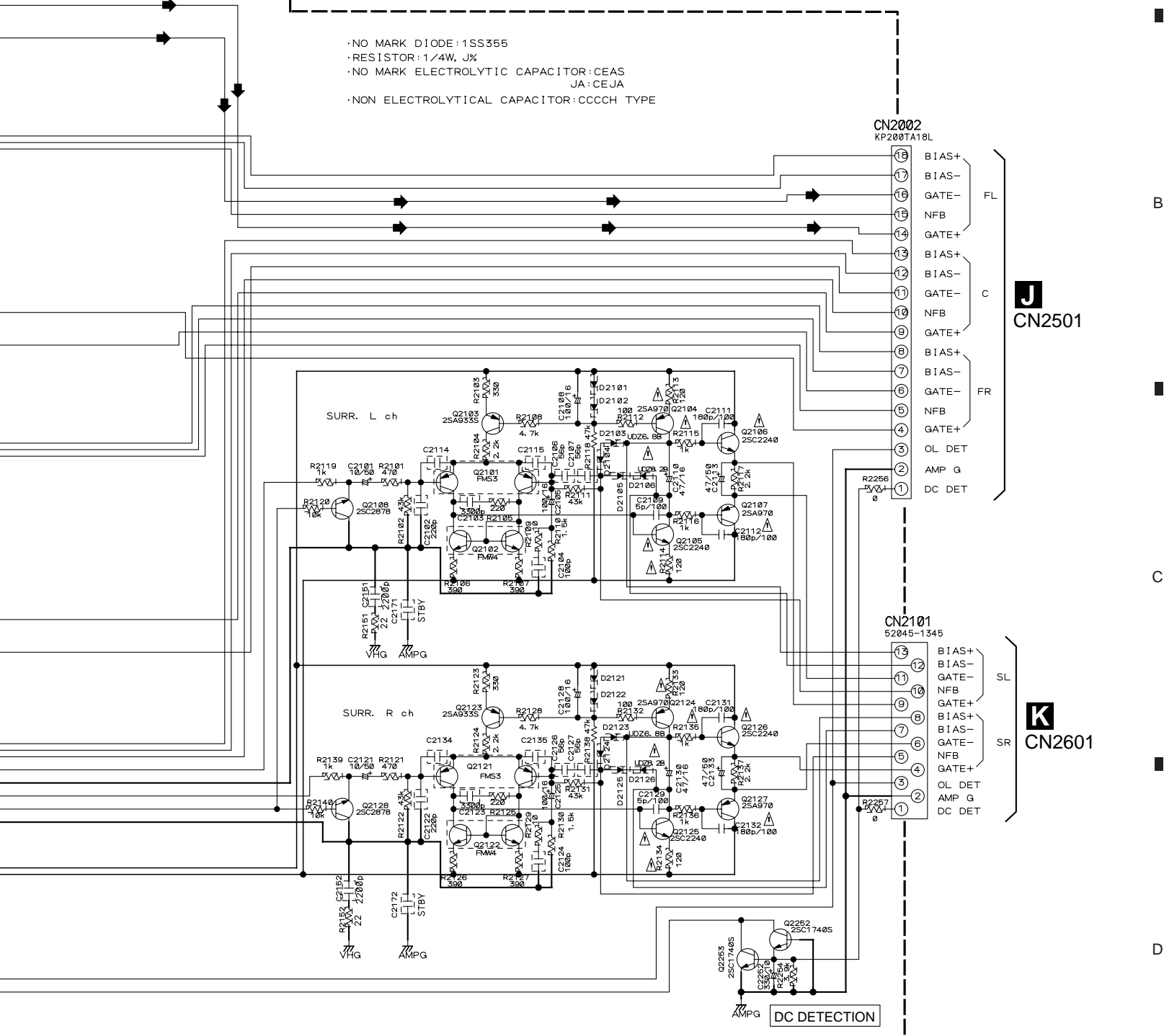
D

V-AMP ASSY (AWX7578)

POWER AMP VOLTAGE AMPLIFYING STAGE

➔: AUDIO SIGNAL ROUTE

- NO MARK DIODE:1SS355
- RESISTOR:1/4W, J%
- NO MARK ELECTROLYTIC CAPACITOR:CEAS
JA:CEJA
- NON ELECTROLYTICAL CAPACITOR:CCCCH TYPE



CN2002
KP200TA18L

- 18 BIAS+
- 17 BIAS-
- 16 GATE-
- 15 NFB
- 14 GATE+
- 13 BIAS+
- 12 BIAS-
- 11 GATE-
- 10 NFB
- 9 GATE+
- 8 BIAS+
- 7 BIAS-
- 6 GATE-
- 5 NFB
- 4 GATE+
- 3 OL DET
- 2 AMP G
- 1 DC DET

J
CN2501

CN2101
52045-1345

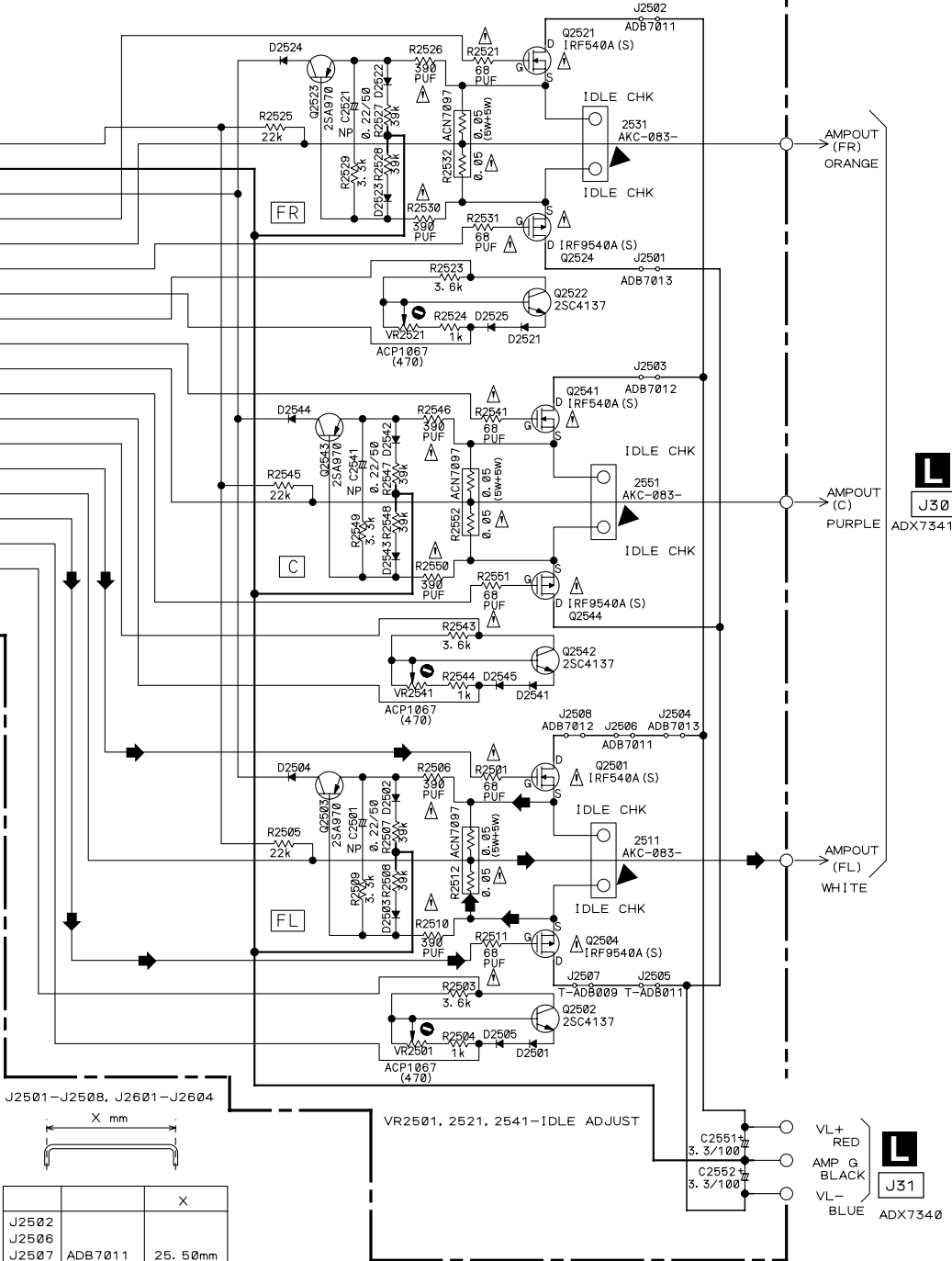
- 13 BIAS+
- 12 BIAS-
- 11 GATE-
- 10 NFB
- 9 GATE+
- 8 BIAS+
- 7 BIAS-
- 6 GATE-
- 5 NFB
- 4 GATE+
- 3 OL DET
- 2 AMP G
- 1 DC DET

K
CN2601

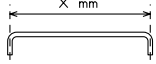
DC DETECTION

POWER AMP CURRENT AMPLIFYING STAGE

➡: AUDIO SIGNAL ROUTE



J2501-J2506, J2601-J2604

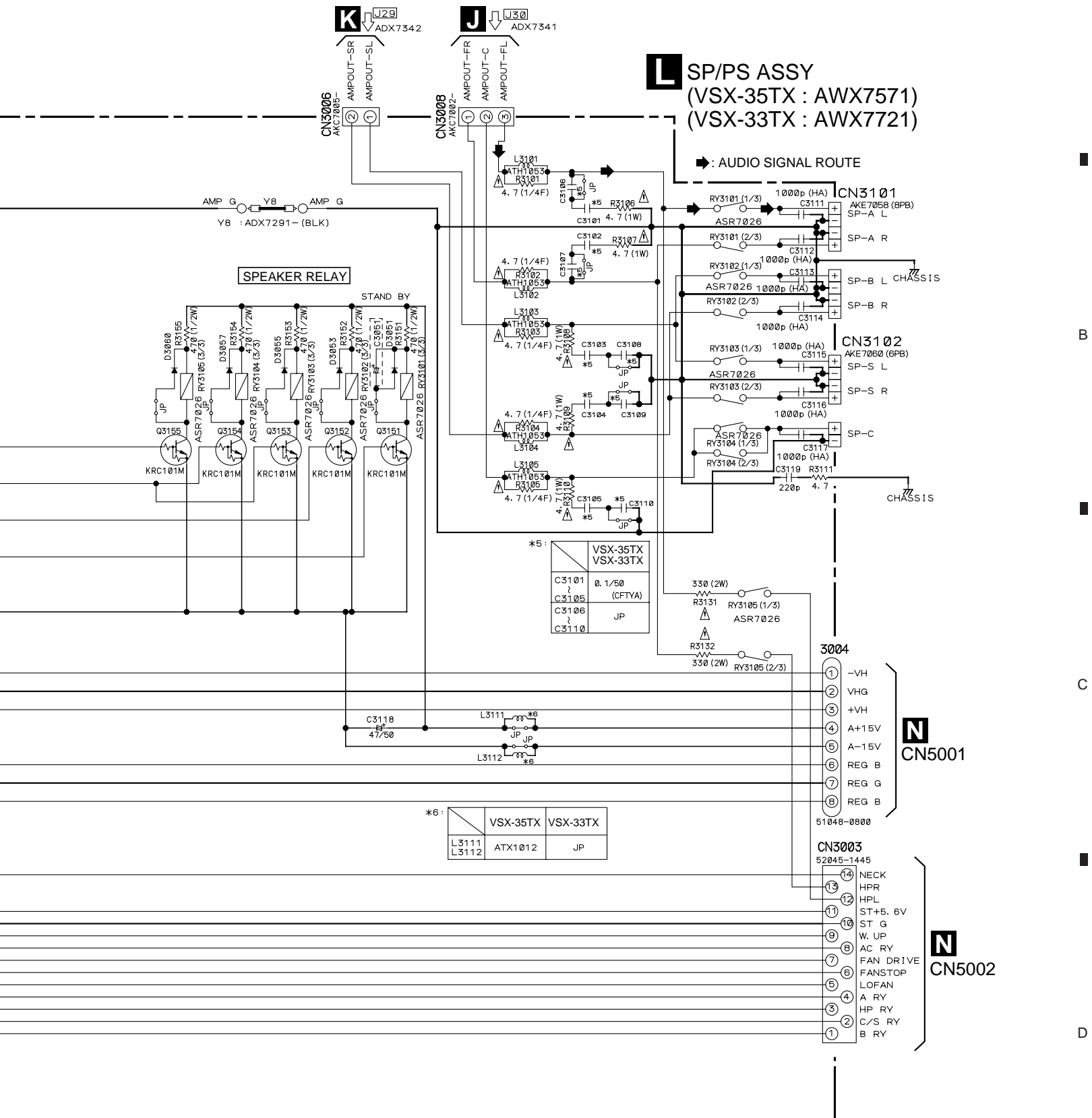


		X
J2502		
J2506		
J2507	ADB7011	25.50mm
J2602		
J2603		
J2503	ADB7012	58.00mm
J2501		
J2504		
J2505	ADB7013	70.00mm
J2601		
J2604		

The mark found on some component parts indicates the importance of the safety factor of the part. Therefore, when replacing, be sure to use parts of identical designation.



A
B
C
D

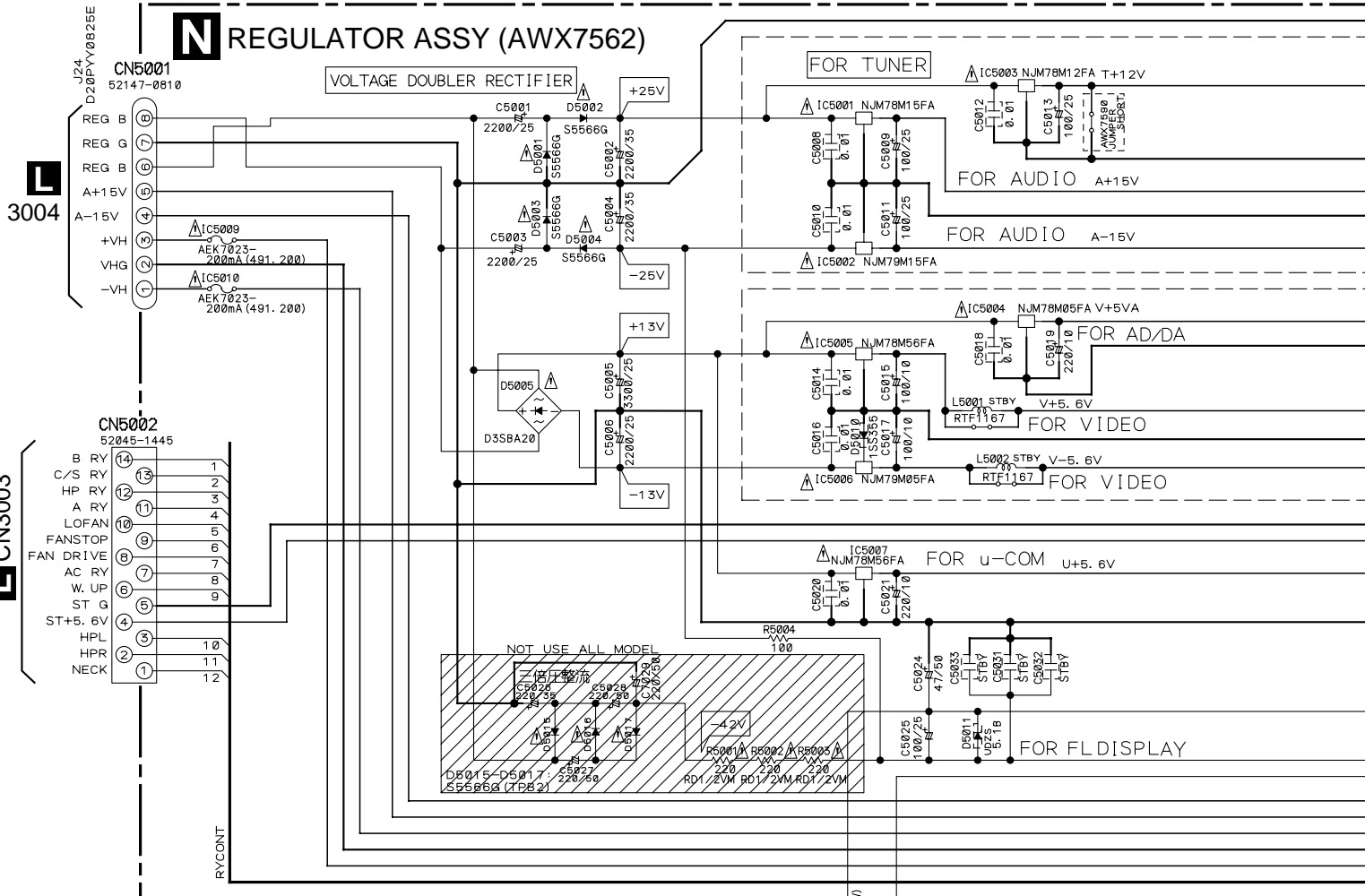


3.15 REGULATOR, TRANS 2-2 and TRANS 1 ASSYS

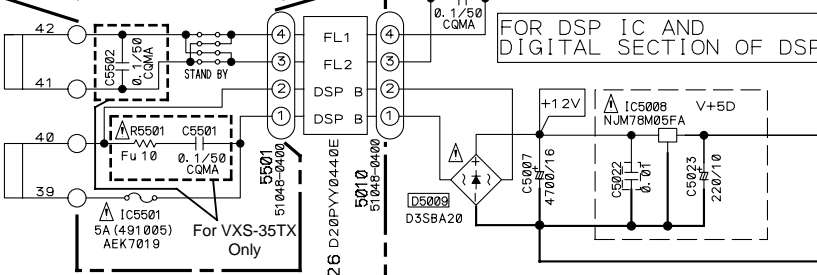
CAUTION : FOR CONT NUED PROTECTION AGA NST RISK OF FIRE.
REPLACE ONLY WITH SAME TYPE NO. 491.200 MFD, BY
LITTELFUSE INC. FOR IC5009, IC5010 (AEK7023).

CAUTION : FOR CONTINUED PROTECTION AGAINST RISK OF FIRE.
REPLACE ONLY WITH SAME TYPE NO. 491005 MFD, BY
LITTELFUSE INC. FOR IC5501 (AEK7019).

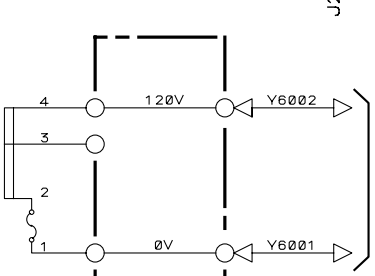
N REGULATOR ASSY (AWX7562)



O TRANS 2-2 ASSY
(VSX-35TX:AWX7565)
(VSX-33TX:AWX7720)



P TRANS 1 ASSY
(AWX7564)



A

B

C

D

3004

CN3003

J24 D20PY0B25E
CN5001 52147-0810
REG B
REG G
REG B
A+15V
A-15V
+VH
VH
-VH

CN5002 52045-1445
B RY
C/S RY
HP RY
A RY
LOFAN
FANSTOP
FAN DRIVE
AC RY
W. UP
ST G
ST+5.6V
HPL
HPR
NECK

RYCONT

FOR TUNER

FOR AUDIO A+15V

FOR AUDIO A-15V

FOR AD/DA

FOR VIDEO

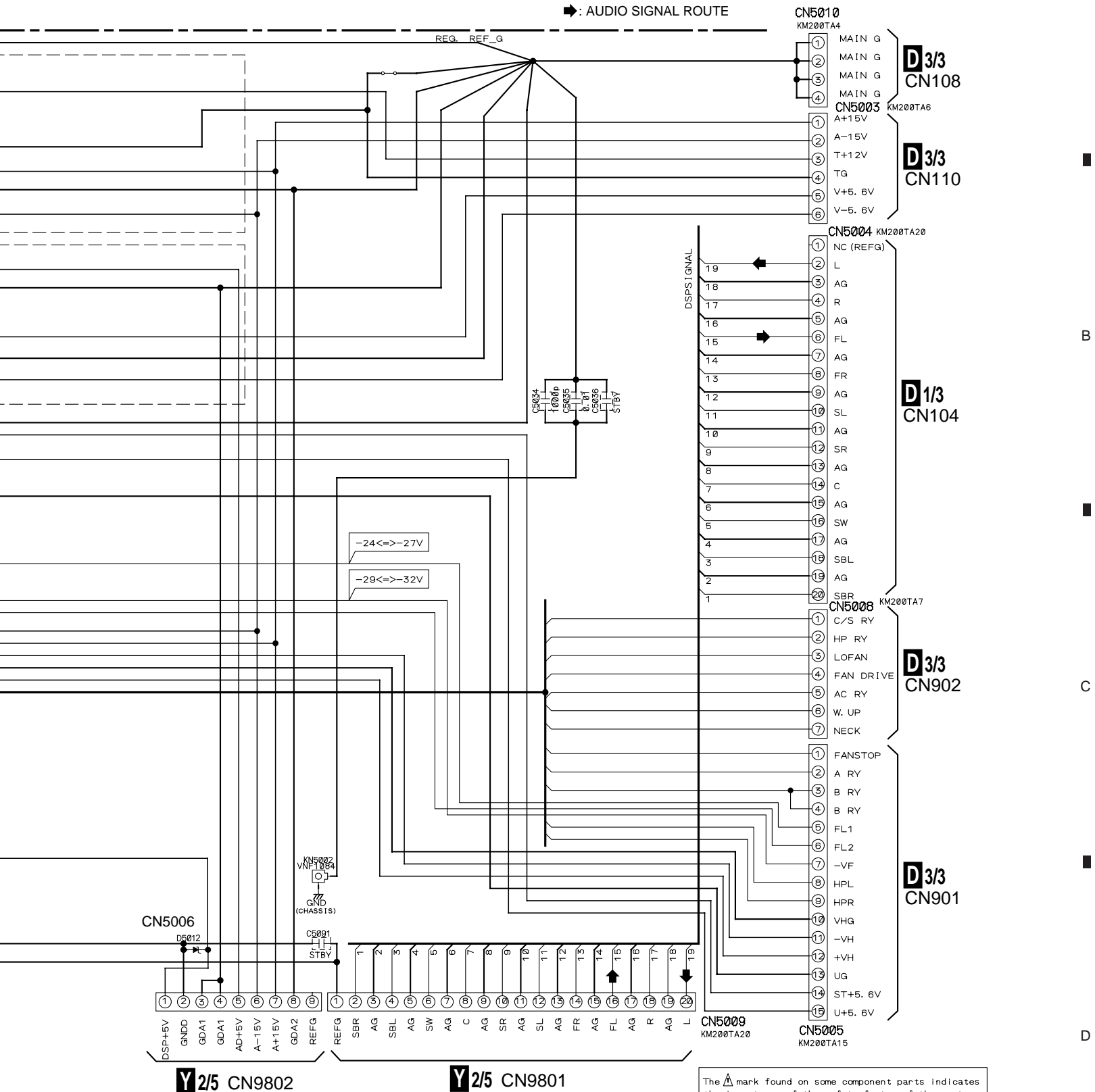
FOR VIDEO

FOR u-COM U+5.6V

FOR FL DISPLAY

FOR DSP IC AND DIGITAL SECTION OF DSP

Y 2/5 CN9803



➔ : AUDIO SIGNAL ROUTE

REG. REF_G

CN5010
KM200TA4

- ① MAIN G
- ② MAIN G
- ③ MAIN G
- ④ MAIN G
- ① A+15V
- ② A-15V
- ③ T+12V
- ④ TG
- ⑤ V+5.6V
- ⑥ V-5.6V

D 3/3
CN108

CN5003
KM200TA6

- ① A+15V
- ② A-15V
- ③ T+12V
- ④ TG
- ⑤ V+5.6V
- ⑥ V-5.6V

D 3/3
CN110

CN5004
KM200TA20

- ① NC (REFG)
- ② L
- ③ AG
- ④ R
- ⑤ AG
- ⑥ FL
- ⑦ AG
- ⑧ FR
- ⑨ AG
- ⑩ SL
- ⑪ AG
- ⑫ SR
- ⑬ AG
- ⑭ C
- ⑮ AG
- ⑯ SW
- ⑰ AG
- ⑱ SBL
- ⑲ AG
- ⑳ SBR

D 1/3
CN104

CN5008
KM200TA7

- ① C/S RY
- ② HP RY
- ③ LOFAN
- ④ FAN DRIVE
- ⑤ AC RY
- ⑥ W. UP
- ⑦ NECK

D 3/3
CN902

CN5009
KM200TA20

- ① FANSTOP
- ② A RY
- ③ B RY
- ④ B RY
- ⑤ FL1
- ⑥ FL2
- ⑦ -VF
- ⑧ HPL
- ⑨ HPR
- ⑩ VH
- ⑪ -VH
- ⑫ +VH
- ⑬ UG
- ⑭ ST+5.6V
- ⑮ U+5.6V

D 3/3
CN901

CN5005
KM200TA15

CN5006

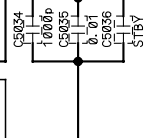
- ① DSP+5V
- ② GNDD
- ③ GDA1
- ④ GDA1
- ⑤ AD+5V
- ⑥ A-15V
- ⑦ A+15V
- ⑧ GDA2
- ⑨ REFG
- ① REFG
- ② SBR
- ③ AG
- ④ SBL
- ⑤ AG
- ⑥ SW
- ⑦ AG
- ⑧ C
- ⑨ AG
- ⑩ SR
- ⑪ AG
- ⑫ SL
- ⑬ AG
- ⑭ FR
- ⑮ AG
- ⑯ FL
- ⑰ AG
- ⑱ R
- ⑲ AG
- ⑳ L

Y 2/5 CN9802

CN5002
VNF1284

GND
(CHASSIS)

C5001
STBY



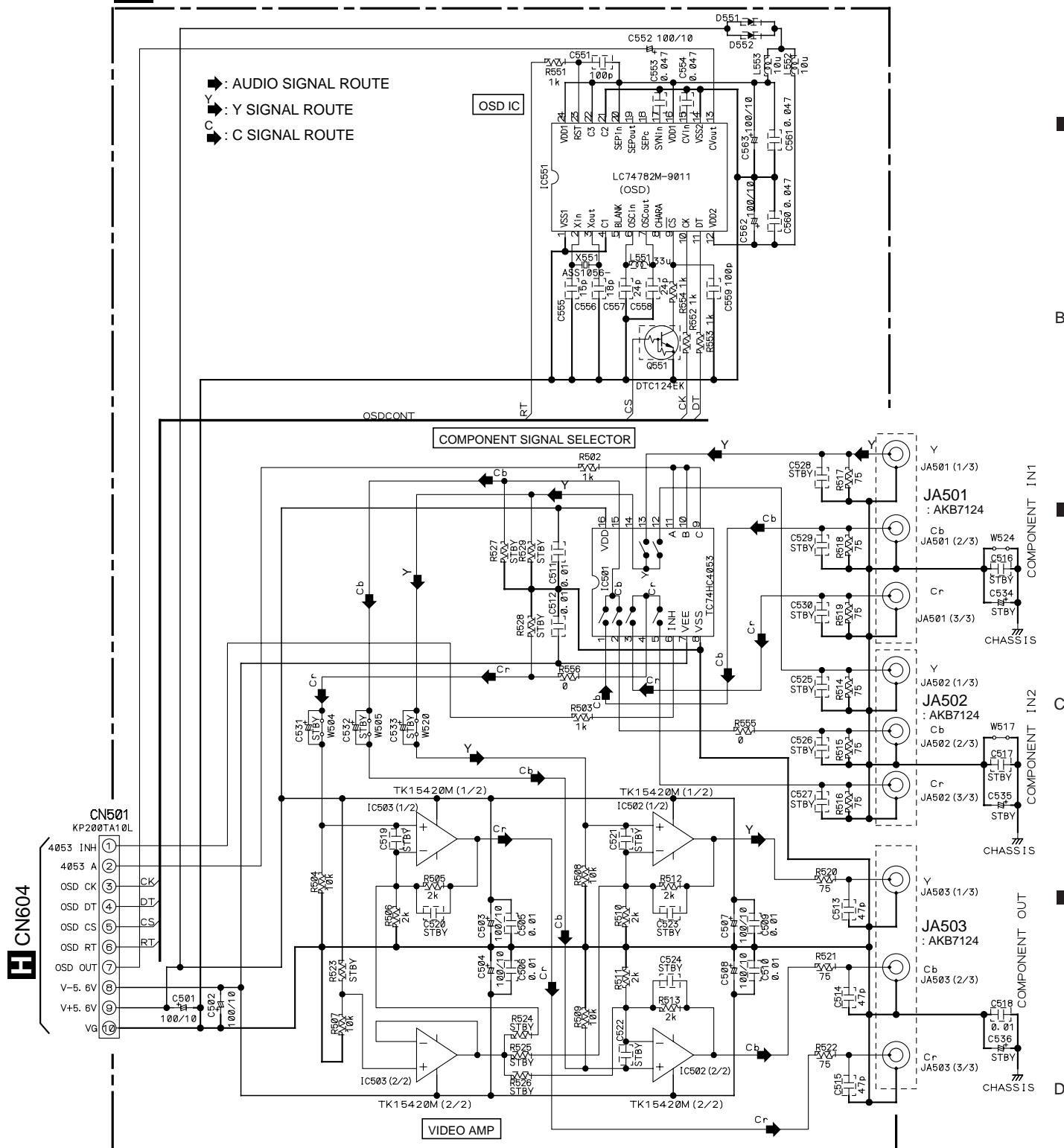
-24<=>-27V

-29<=>-32V

The Δ mark found on some component parts indicates the importance of the safety factor of the part. Therefore, when replacing, be sure to use parts of identical designation.

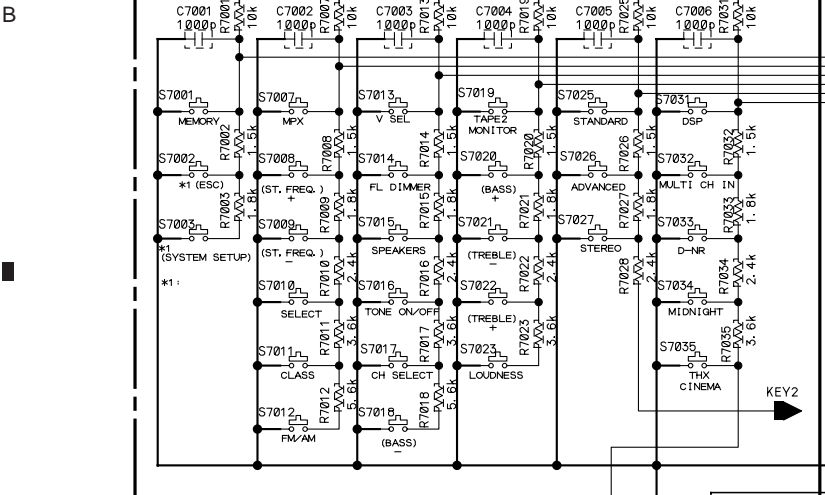
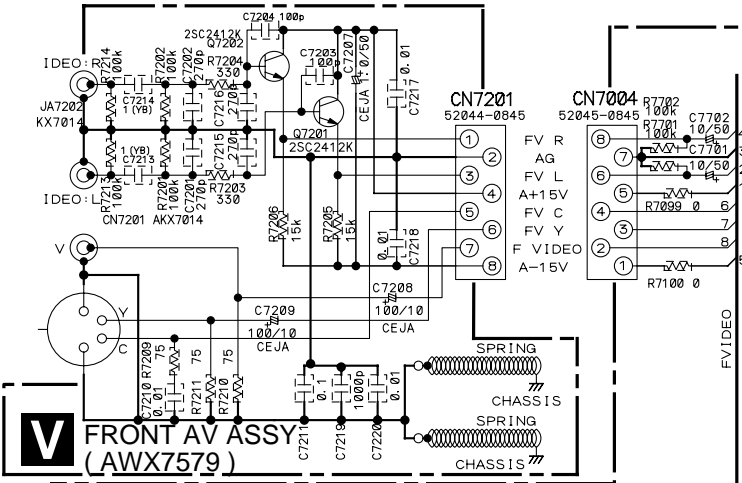
3.17 COMPONENT ASSY (VSX-35TX ONLY)

R COMPONENT ASSY (AWX7582)



3.18 DISPLAY, VOLUME-CONT, HEADPHONE, FRONT AV and STAND BY ASSYS

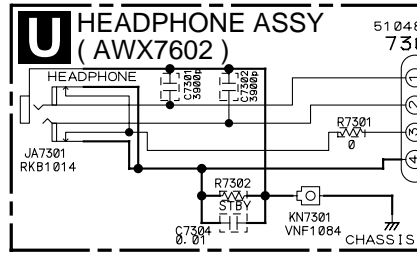
S DISPLAY ASSY
(VSX-35TX : AWX7574)
(VSX-33TX : AWX7614)



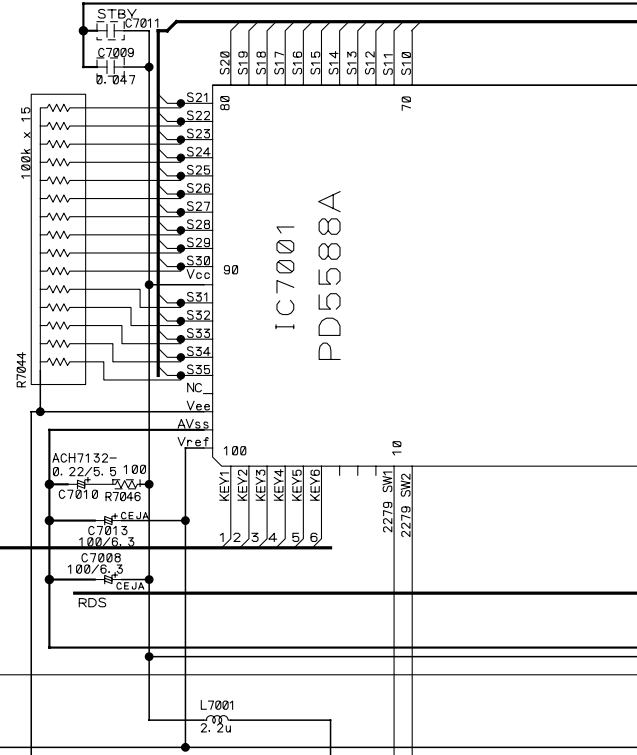
Model	S7002	S7003
VSX-35TX	ESC	SYSTEM SET UP
VSX-33TX	INPUT ATT	SIG SEL

- S7001: MEMORY
- S7002: *1
- S7003: *1
- S7007: MPX
- S7008: SPEAKERS
- S7009: DIRECT
- S7010: SELECT
- S7011: CLASS
- S7012: FM/AM
- S7013: V SELECT
- S7014: FL DIMMER
- S7015: SPEAKERS
- S7016: TONE ON/OFF
- S7017: CH SELECT
- S7018: BASS -
- S7019: TAPE2 MONITOR
- S7020: BASS +
- S7021: TREBLE -
- S7022: TREBLE +
- S7023: LOUDNESS
- S7025: STANDARD
- S7026: ADVANCED
- S7027: STEREO
- S7031: DSP
- S7032: MULTI CH IN
- S7033: D-NR
- S7034: MIDNIGHT
- S7035: THX CINEMA
- S7501: STAND BY/ON

W STAND BY ASSY
(AWX7576)



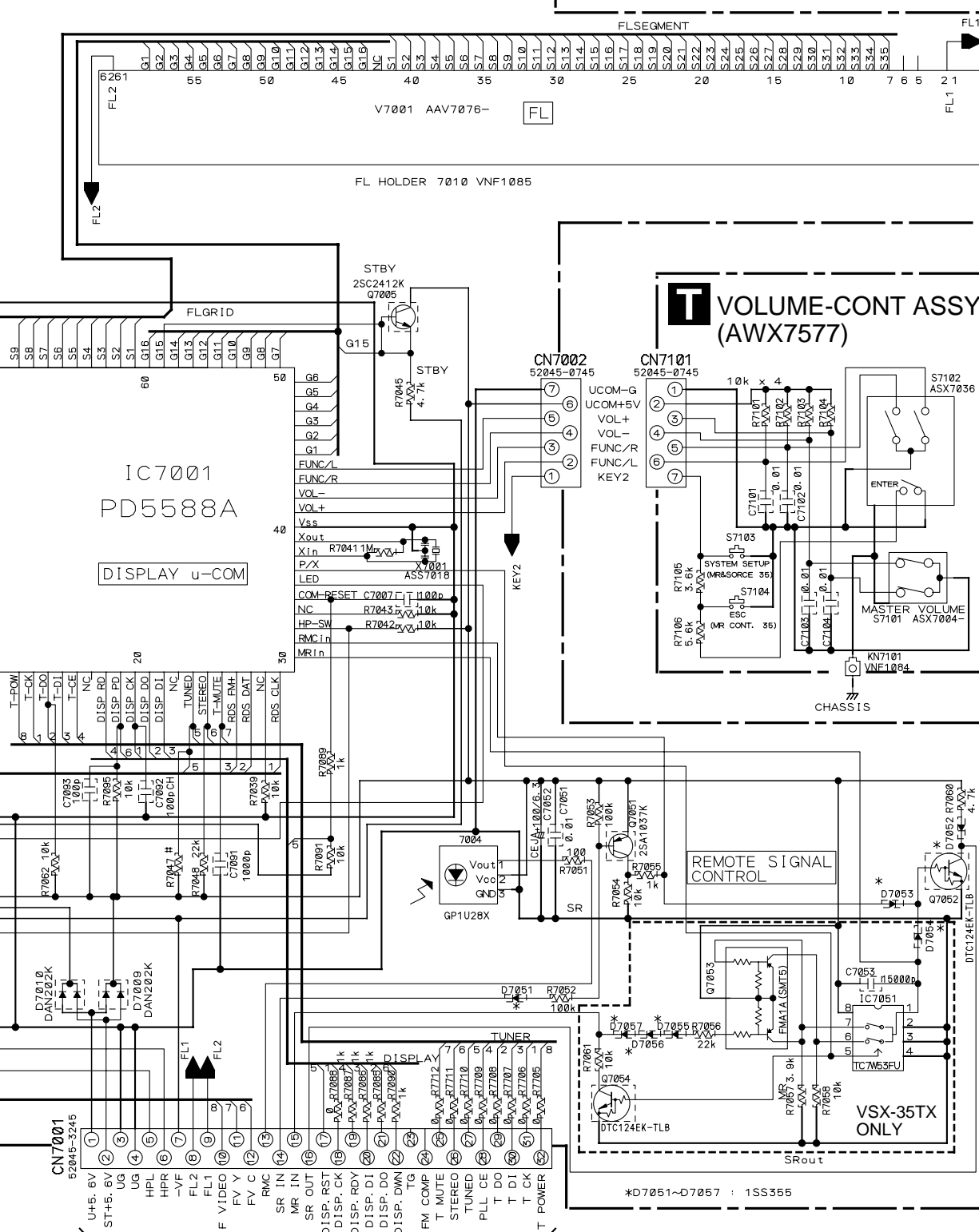
U HEADPHONE ASSY
(AWX7602)



D 1/3 CN102

D 3/3 CN906

VSX-35TX ONLY

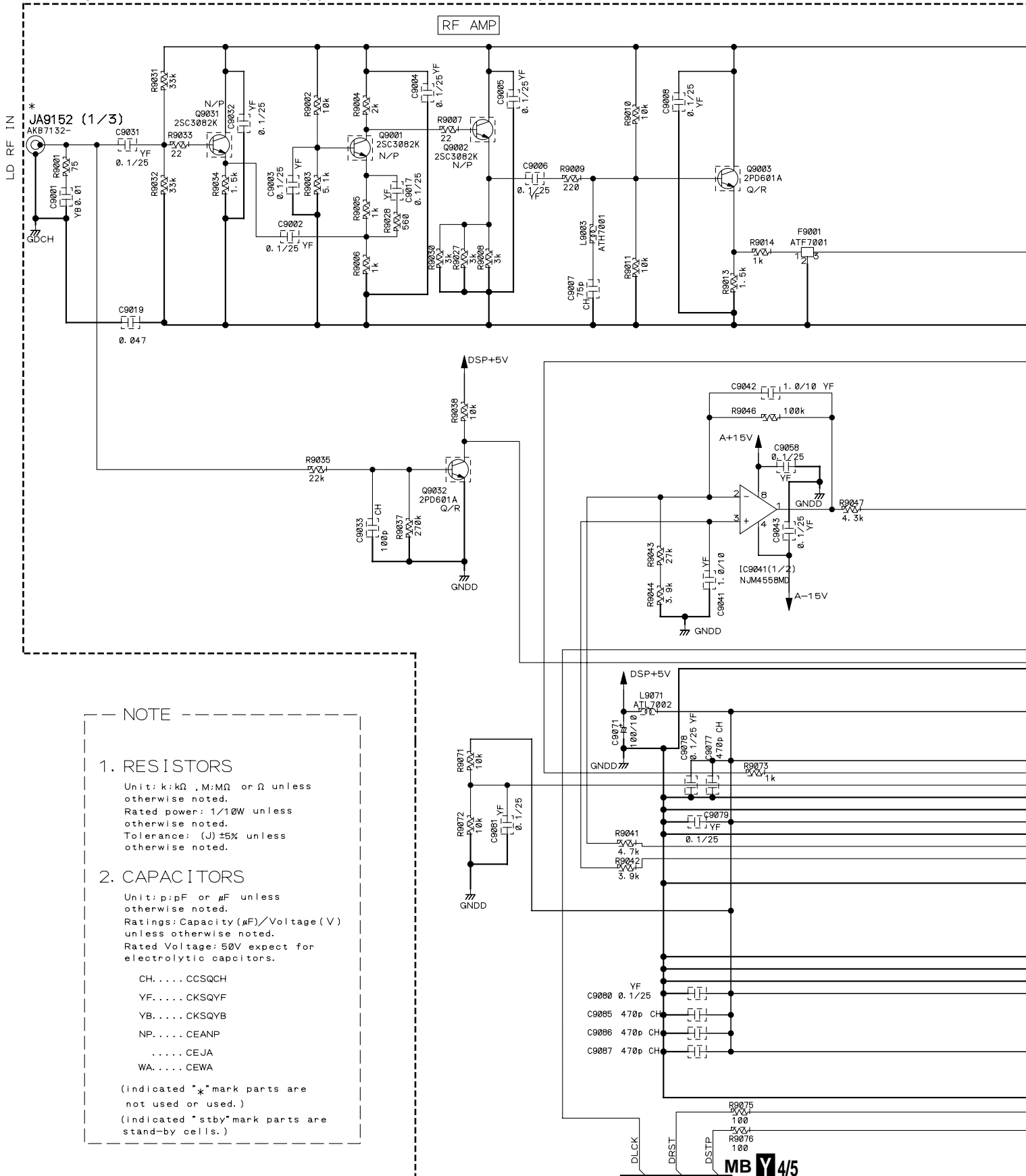


D3/3 CN903



3.19 DSP ASSY (1/5)

Y 1/5 DSP ASSY
(VSX-35TX : AWX7561)(VSX-33TX : AWX7611)



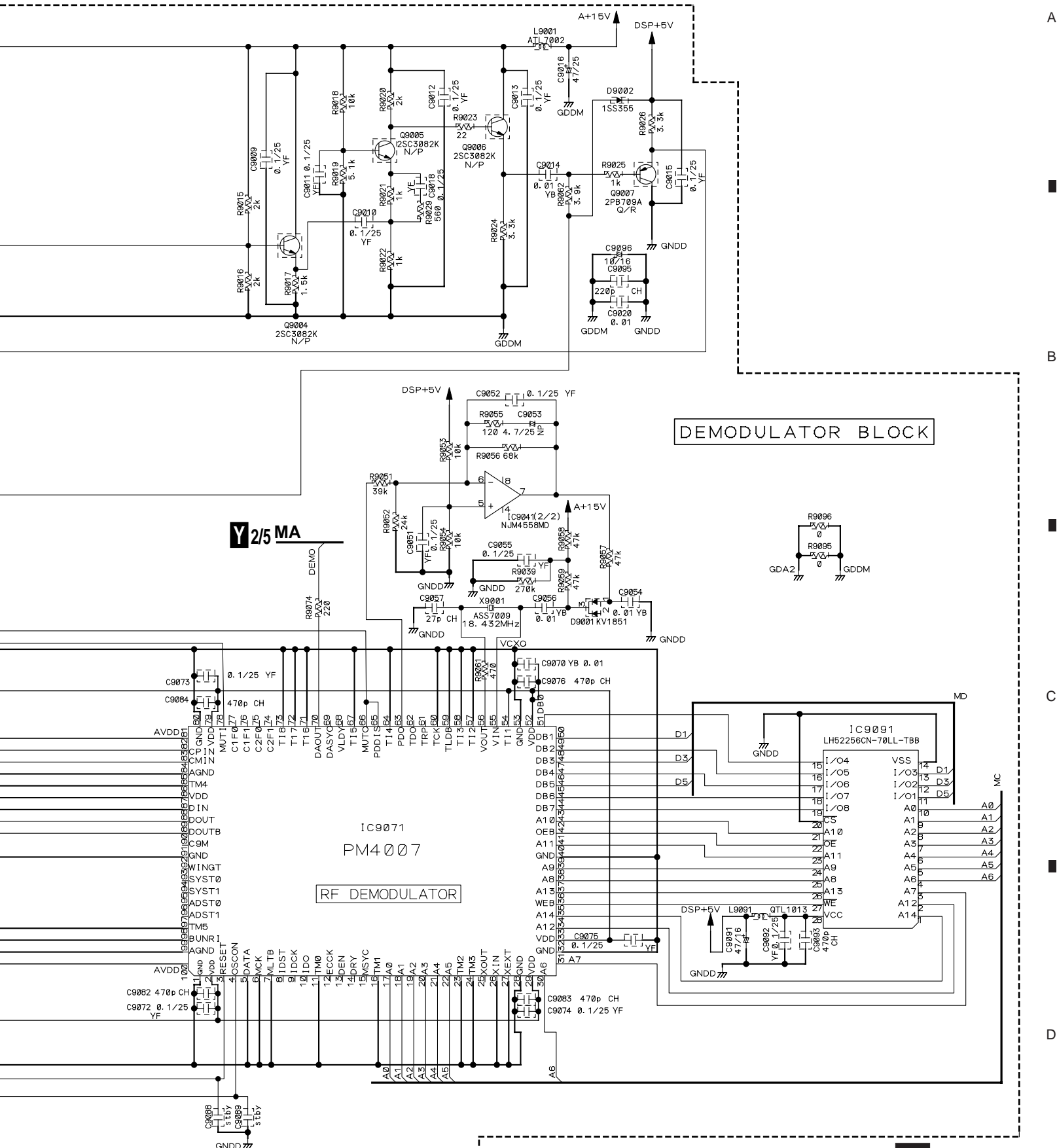
NOTE

1. RESISTORS
Unit: k:kΩ, M:MΩ or Ω unless otherwise noted.
Rated power: 1/10W unless otherwise noted.
Tolerance: (J) ±5% unless otherwise noted.

2. CAPACITORS
Unit: p:pF or μF unless otherwise noted.
Ratings: Capacity (μF)/Voltage (V) unless otherwise noted.
Rated Voltage: 50V expect for electrolytic capacitors.

CH....CCSQCH
YF....CKSQYF
YB....CKSQYB
NP....CEANP
....CEJA
WA....CEWA

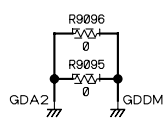
(indicated "*" mark parts are not used or used.)
(indicated "stby" mark parts are stand-by cells.)



Y 2/5 MA

DEMODULATOR BLOCK

RF DEMODULATOR



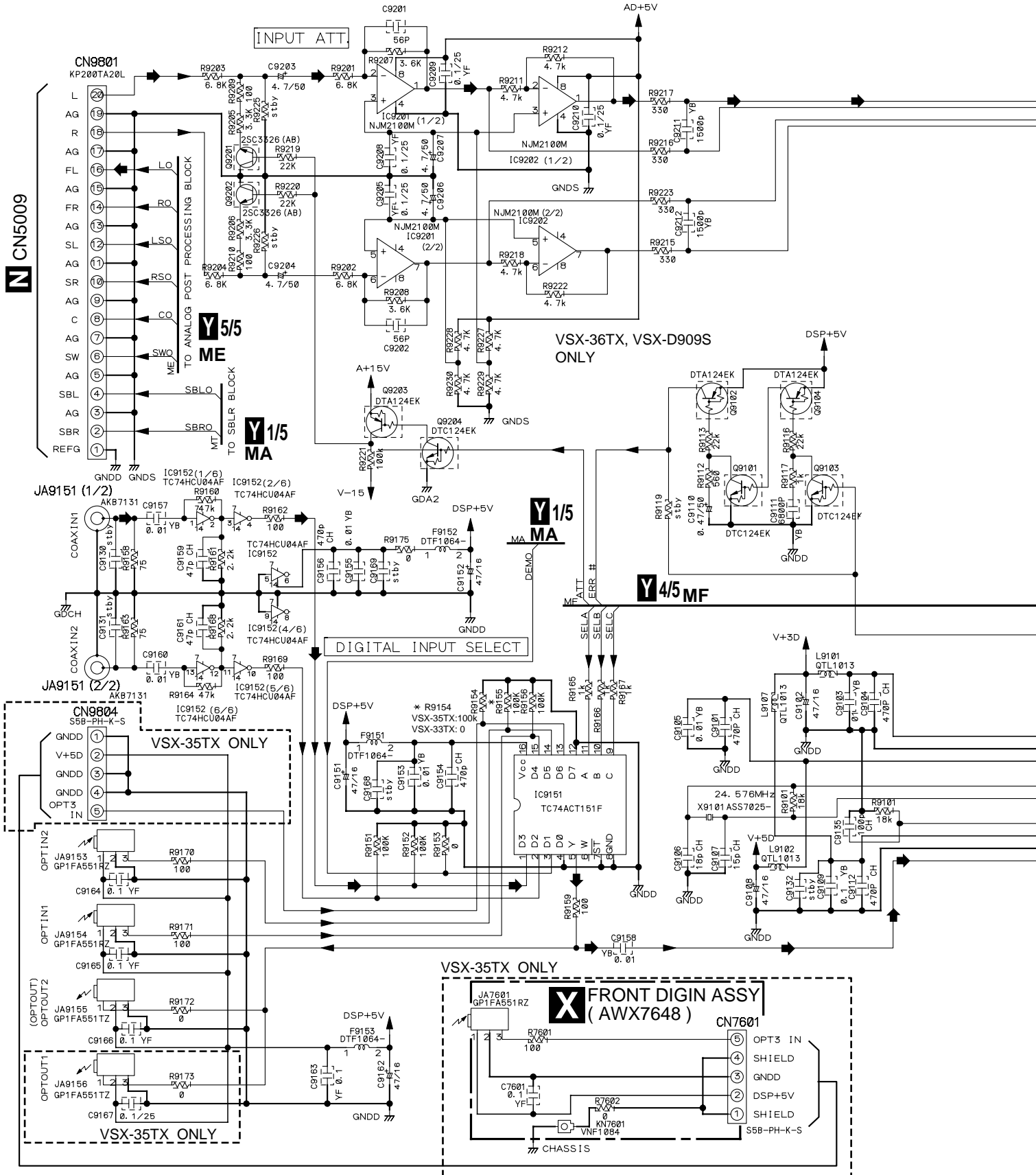
3.20 DSP (2/5) and FRONT DIGIN ASSYS

A

B

C

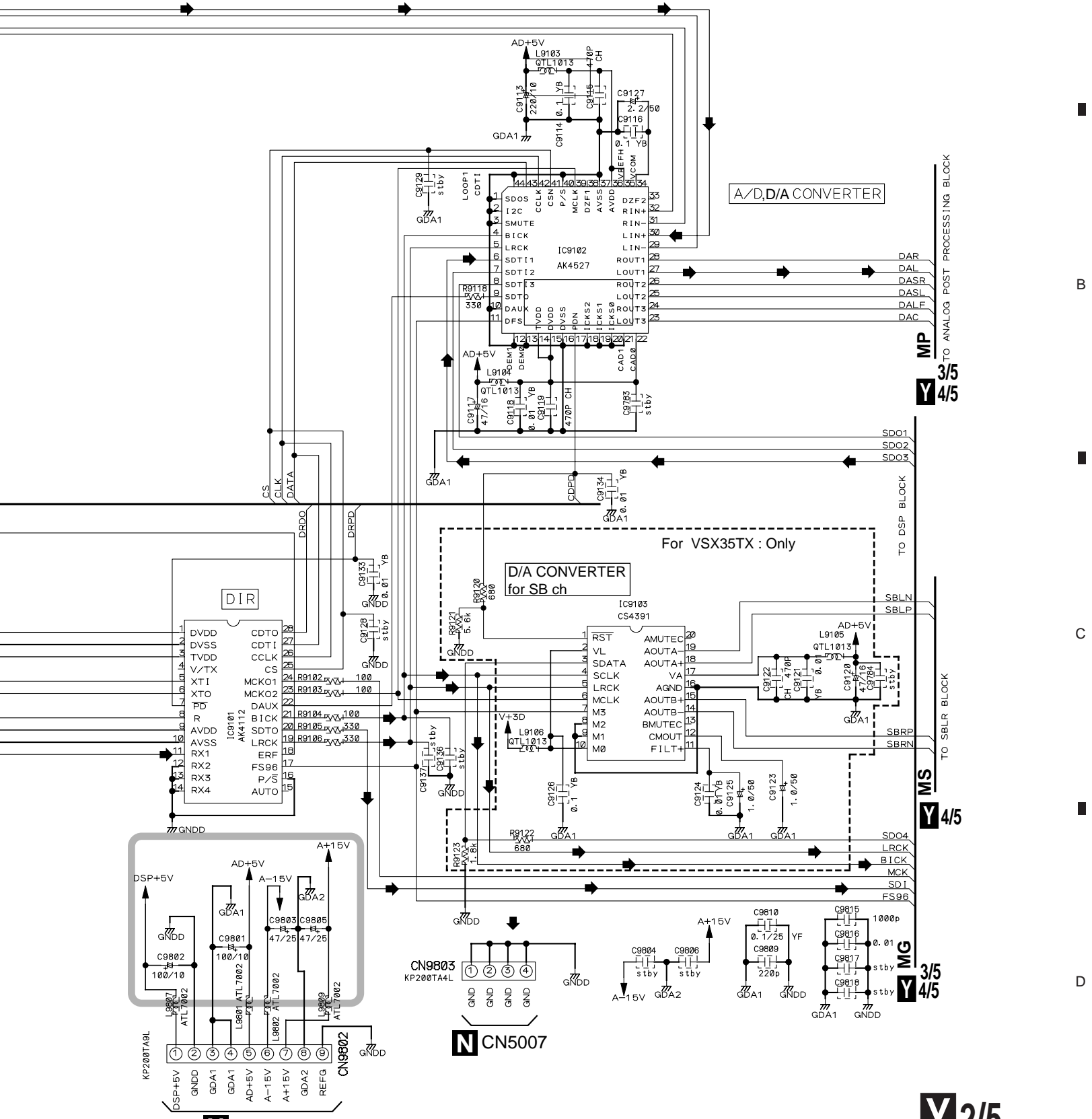
D



Y 2/5 DSP ASSY
 (VSX-35TX : AWX7561)
 (VSX-33TX : AWX7611)

➡: AUDIO SIGNAL ROUTE

O: The power supply is shown with the marked box.



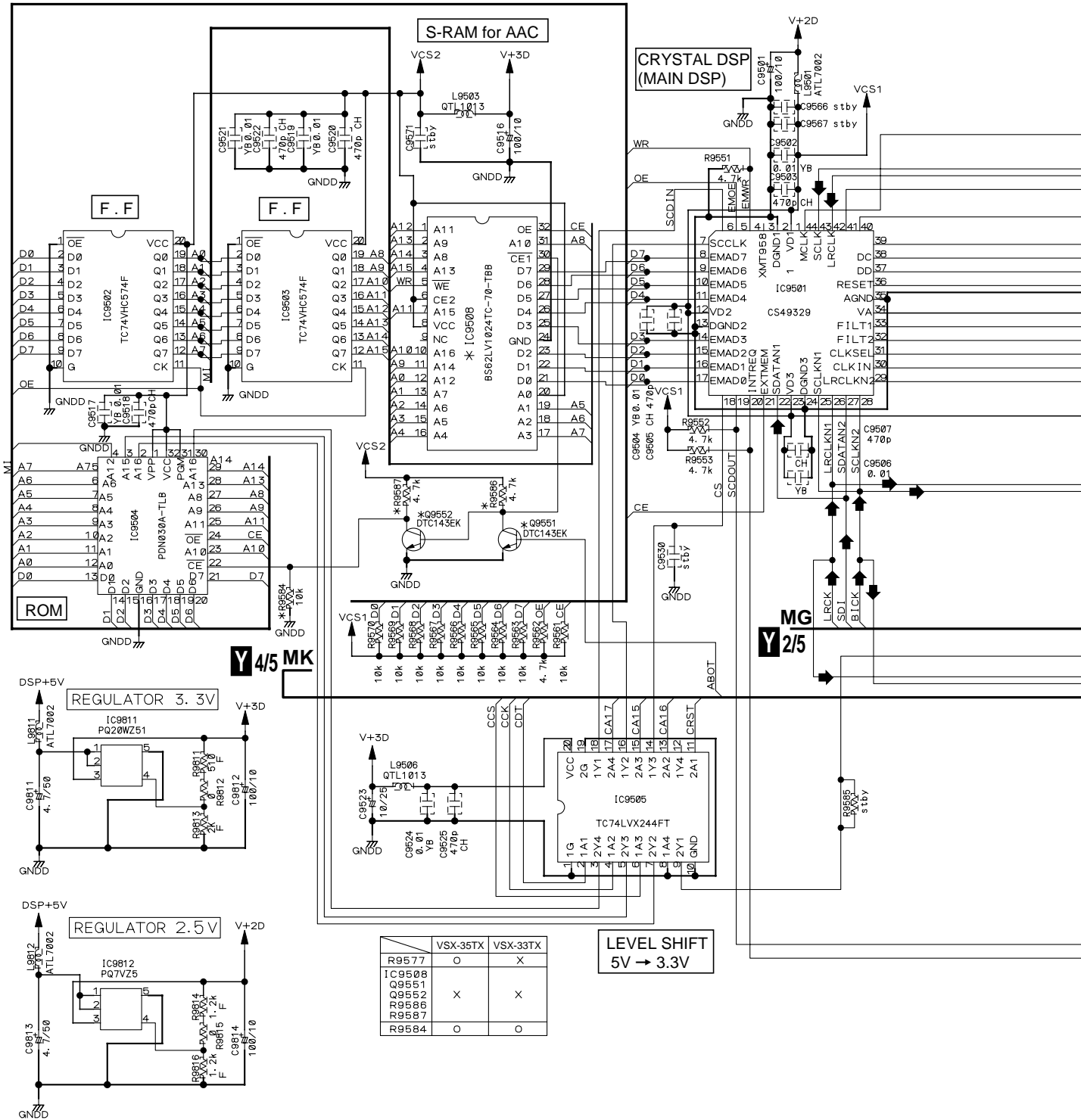
N CN5006

N CN5007

Y 2/5

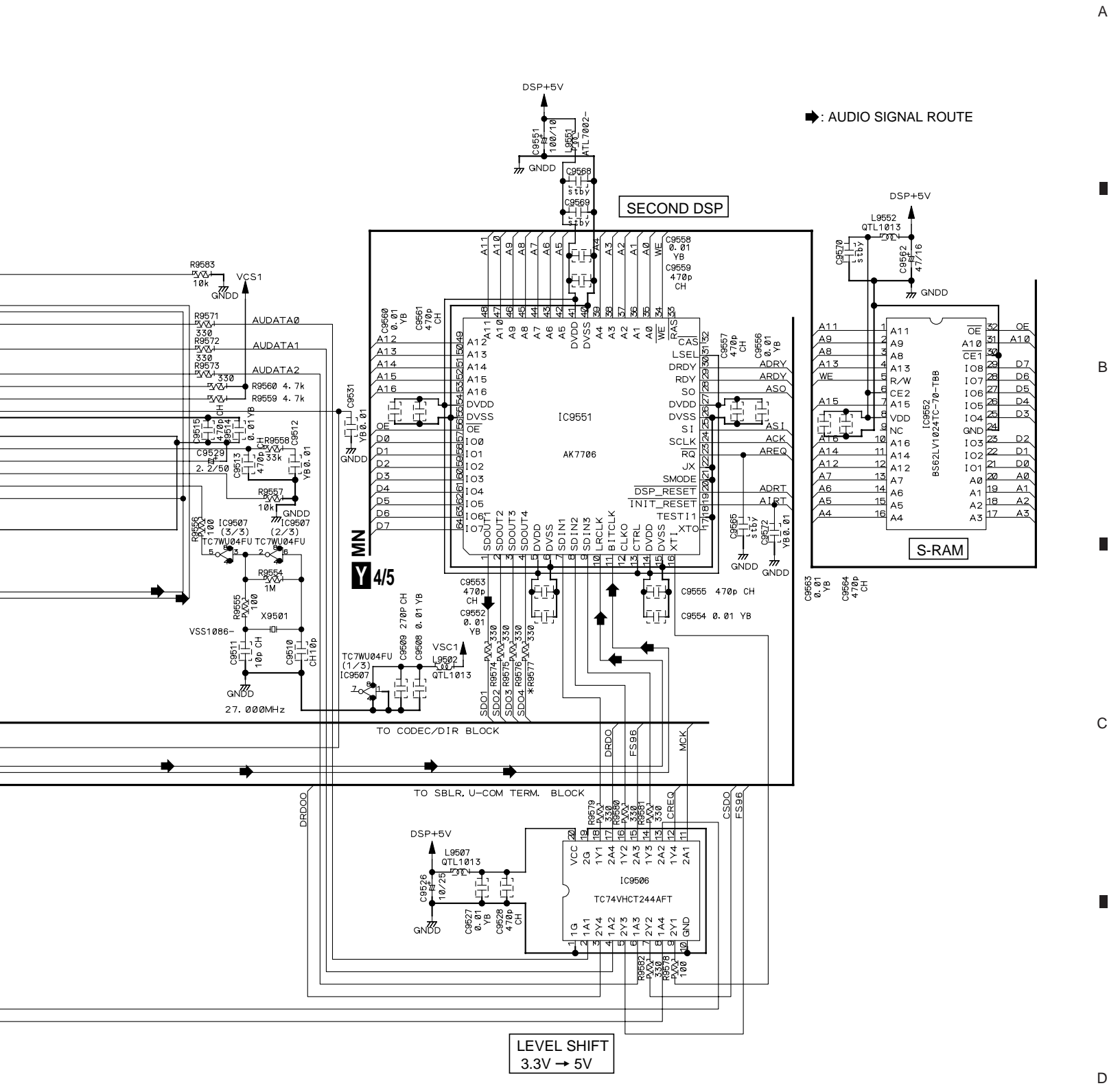
3.21 DSP ASSY (3/5)

Y 3/5 DSP ASSY
 (VSX-35TX : AWX7561)(VSX-33TX : AWX7611)



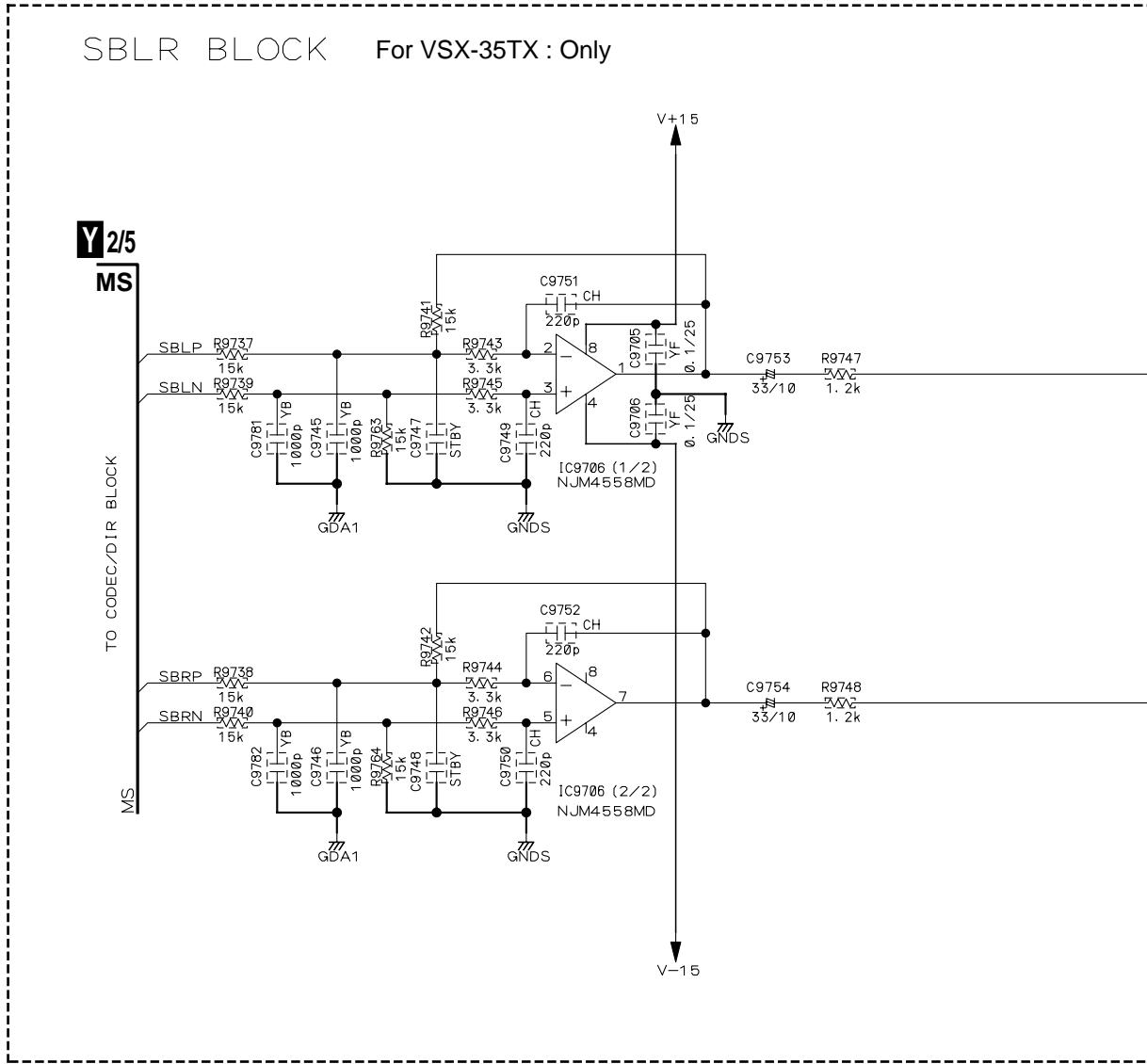
	VSX-35TX	VSX-33TX
R9577	o	x
IC9508		x
Q9551		x
Q9552	x	x
R9566		x
R9587		x
R9584	o	o

LEVEL SHIFT
 5V → 3.3V

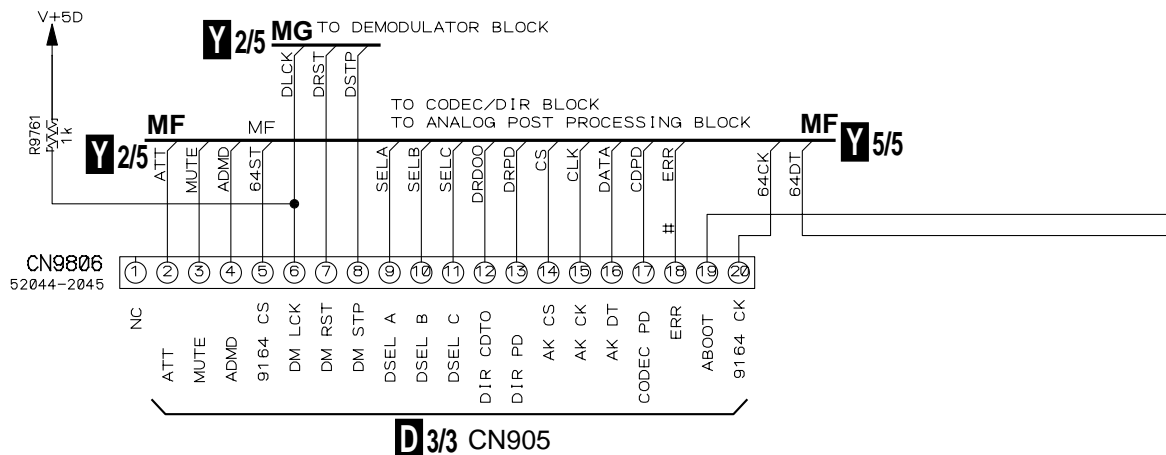


3.22 DSP ASSY (4/5)

Y 4/5 DSP ASSY
(VSX-35TX : AWX7561) (VSX-33TX : AWX7611)



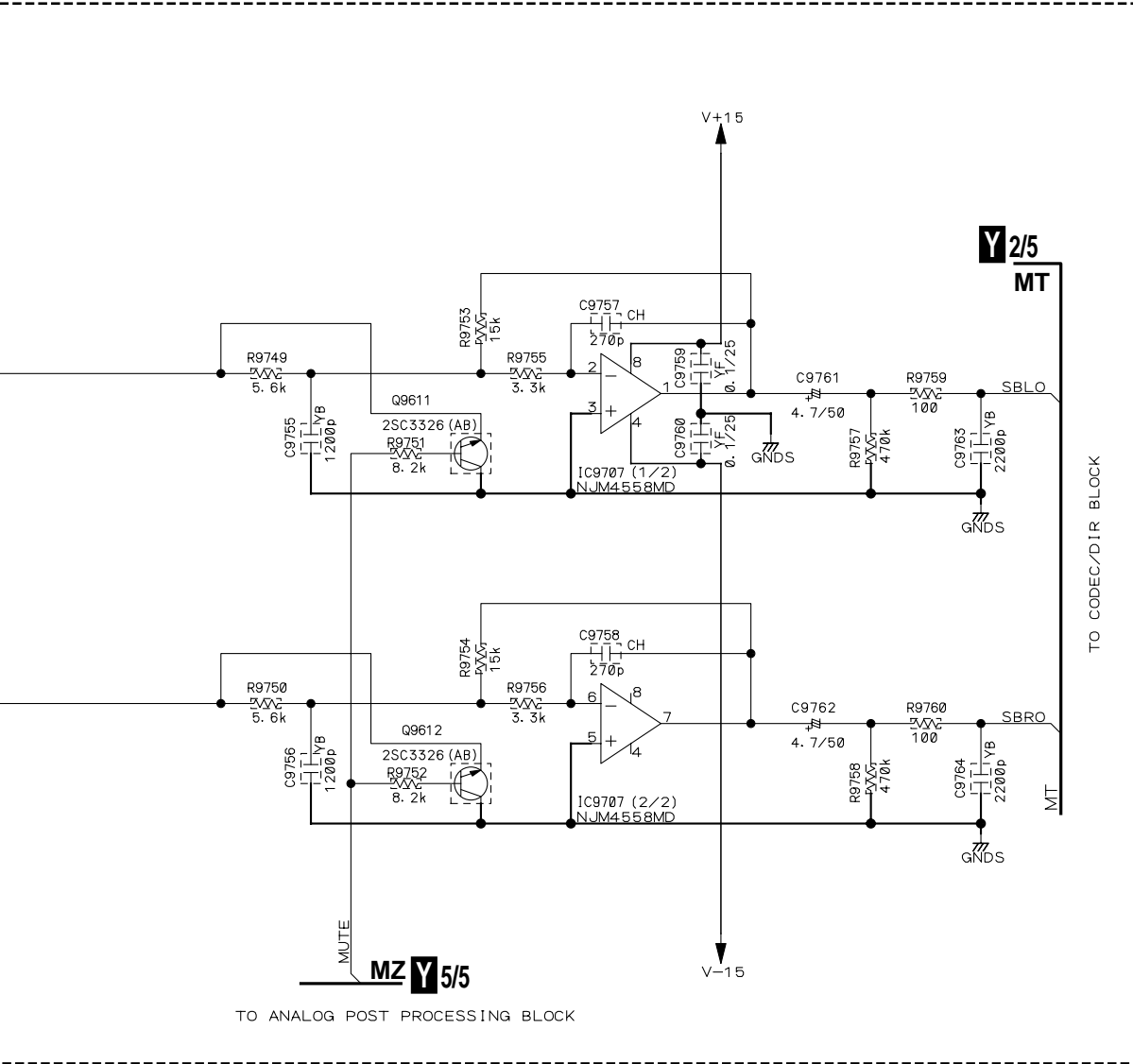
U-COM TERM. BLOCK



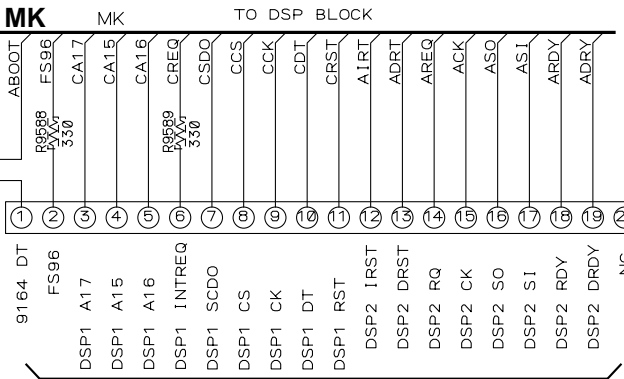
A

B

C



Y 3/5 MK



D 3/3 CN908

	VSX-35TX	VSX-33TX
DEMODULATOR	×	×
MPEG BC	×	×
MPEG AAC	×	×
Dolby EX	○	×
OPT OUT	2	1
OPT IN (FRONT)	○	×

D

3.23 DSP ASSY (5/5)

Y 5/5
 DSP ASSY
 (VSX-35TX : AWX7561)
 (VSX-33TX : AWX7611)

Y 4/5
 MP

A

B

C

D

TO CODEC/DIR BLOCK

MP

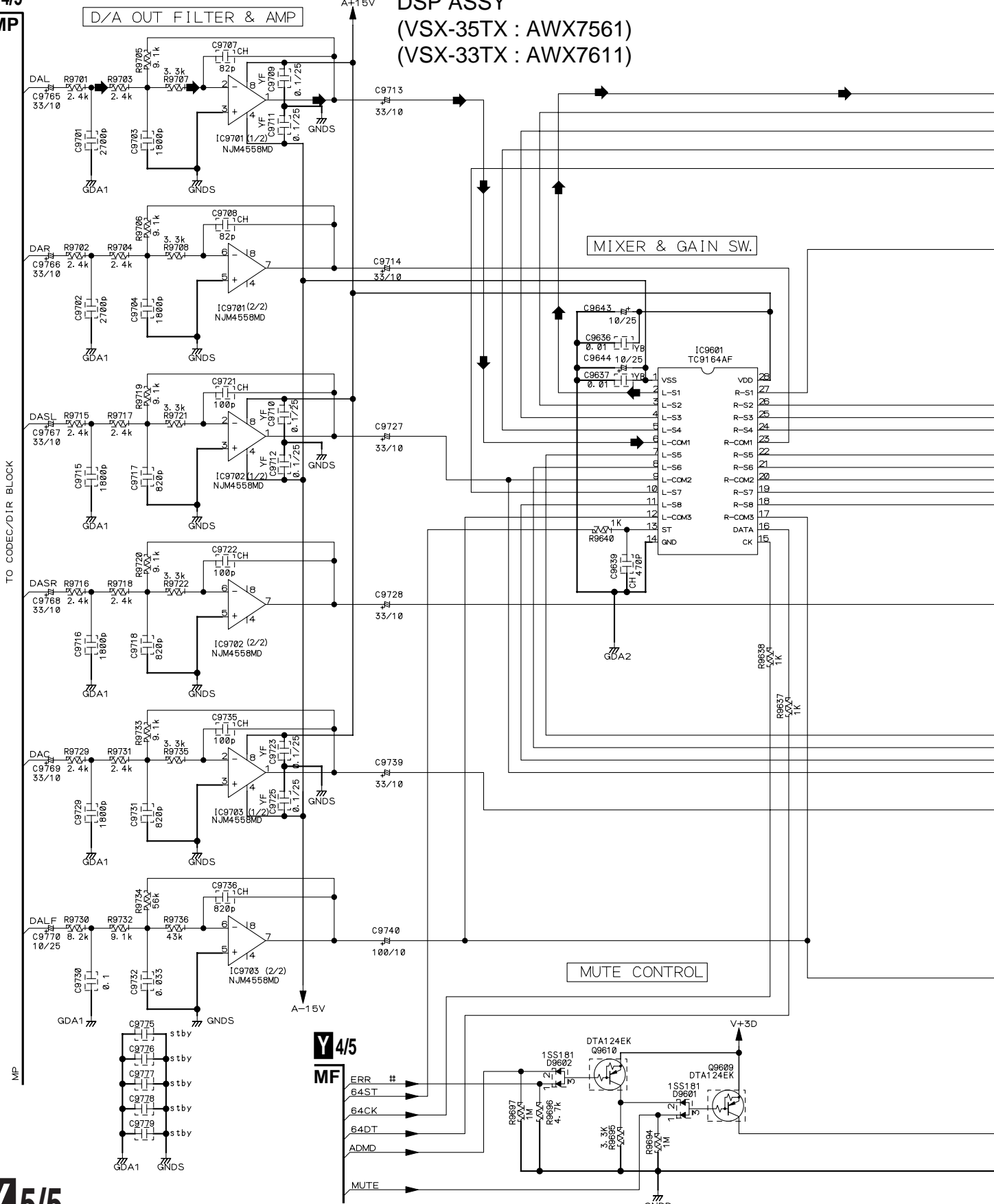
Y 5/5

1

2

3

4



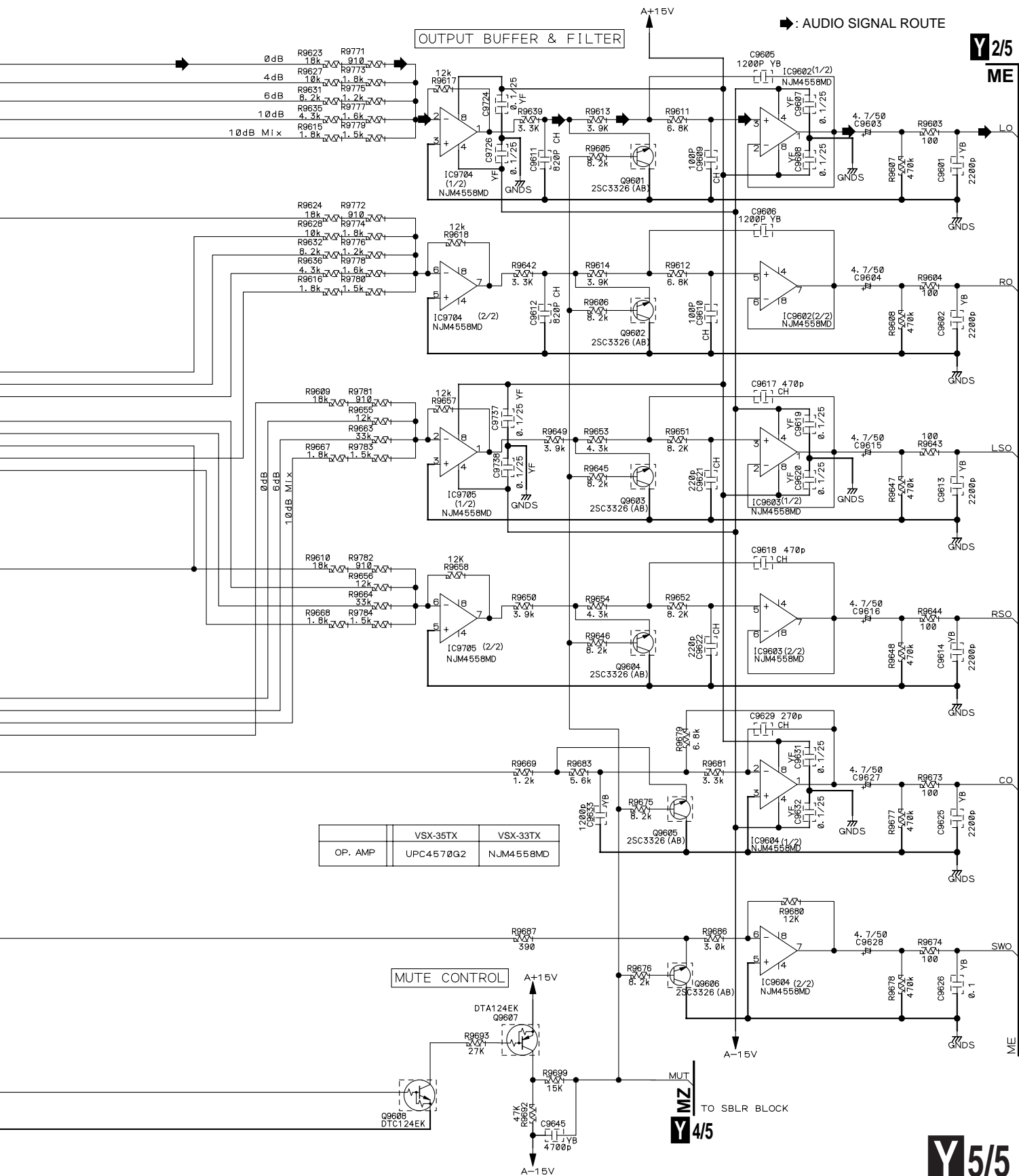
1

2

3

4

VSX-35TX, VSX-33TX



Y 2/5
ME

TO CODEC/DIR BLOCK

A

B

C


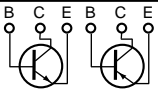

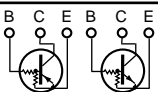

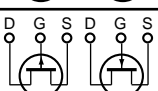

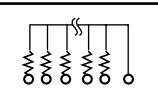

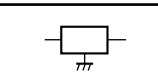
D

Y 5/5

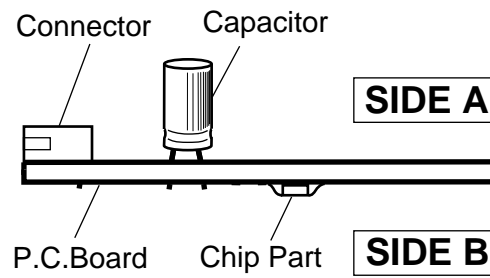
4. PCB CONNECTION DIAGRAM

NOTE FOR PCB DIAGRAMS :

1. Part numbers in PCB diagrams match those in the schematic diagrams.
2. A comparison between the main parts of PCB and schematic diagrams is shown below.

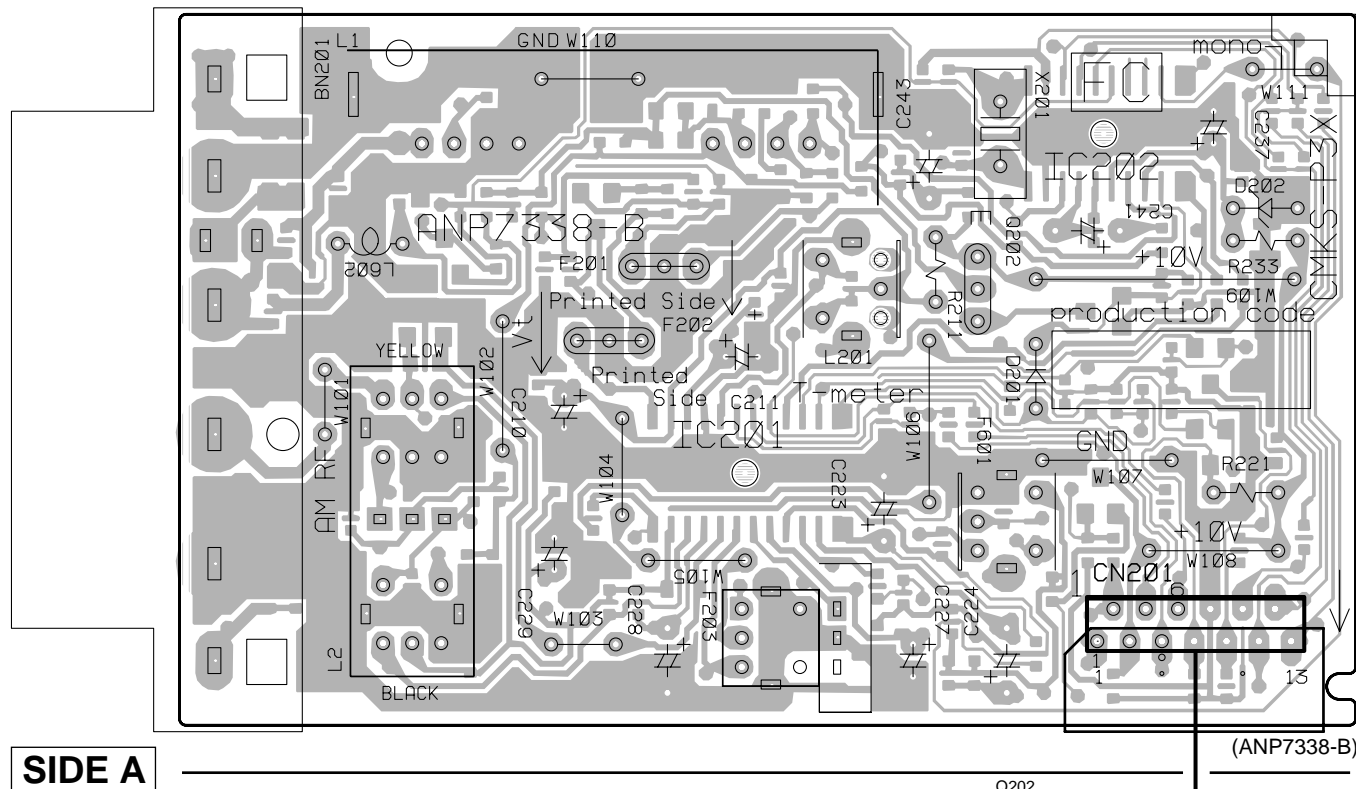
Symbol In PCB Diagrams	Symbol In Schematic Diagrams	Part Name
		Transistor
		Transistor with resistor
		Field effect transistor
		Resistor array
		3-terminal regulator

3. The parts mounted on this PCB include all necessary parts for several destinations.
For further information for respective destinations, be sure to check with the schematic diagram.
4. View point of PCB diagrams.



4.1 FM/AM TUNER UNIT

A FM/AM TUNER UNIT

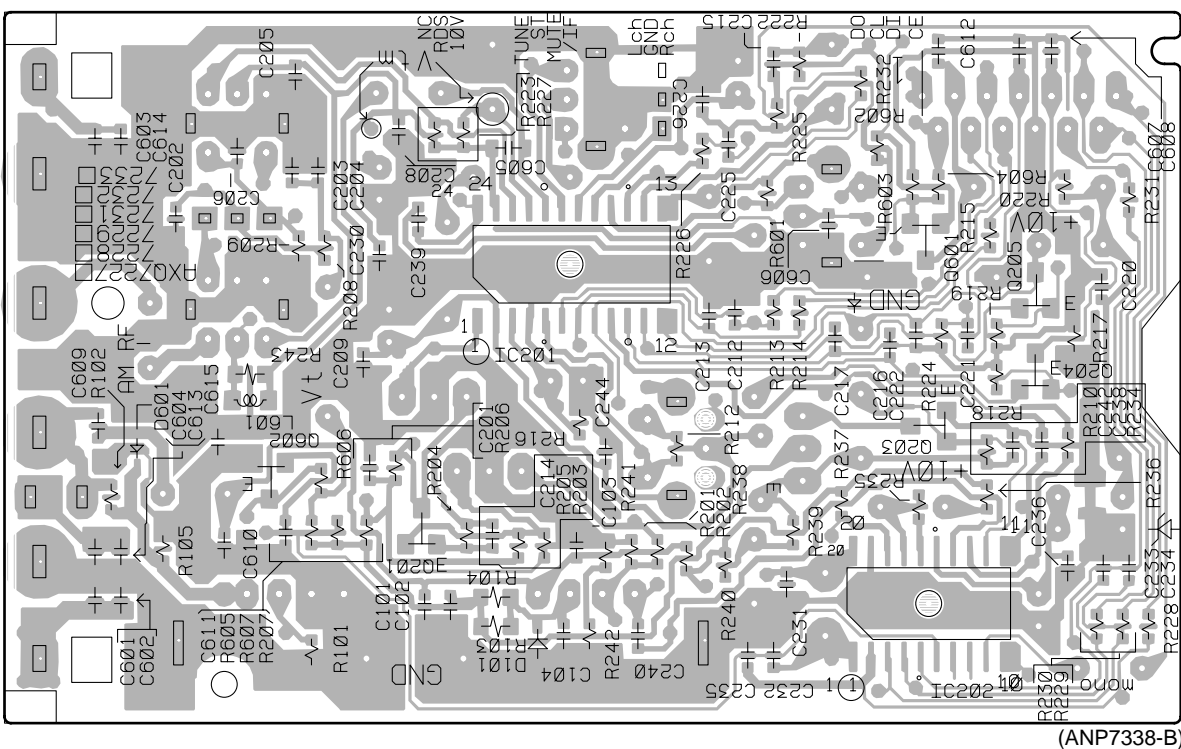


SIDE A

Q202

D CN291

A FM/AM TUNER UNIT



SIDE B

Q602

IC201

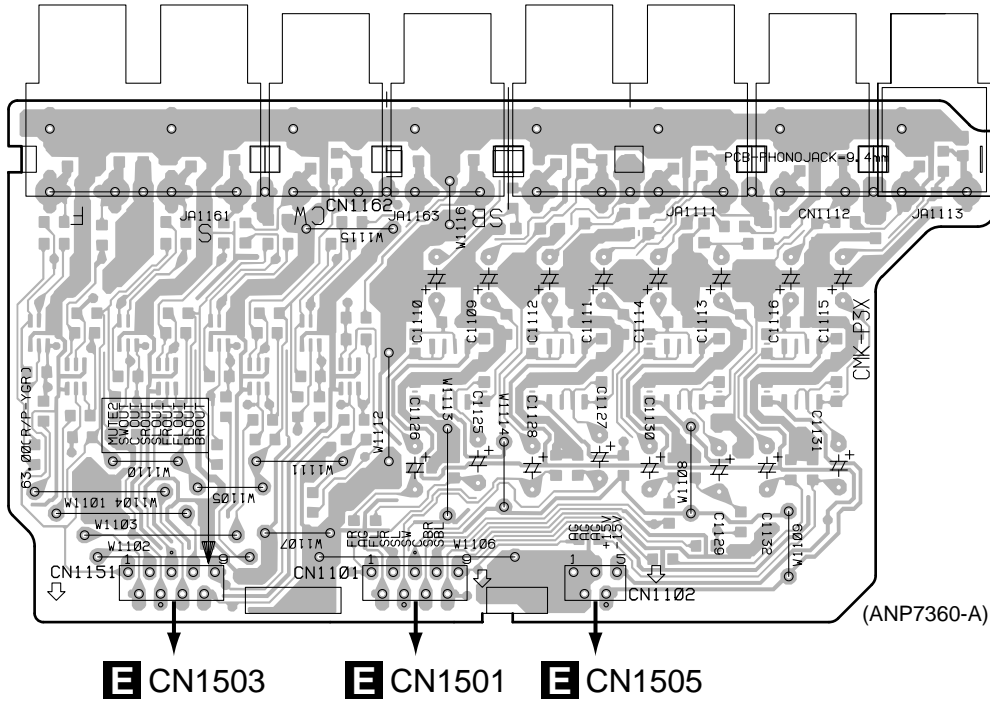
Q203
Q601

Q204
Q205

A

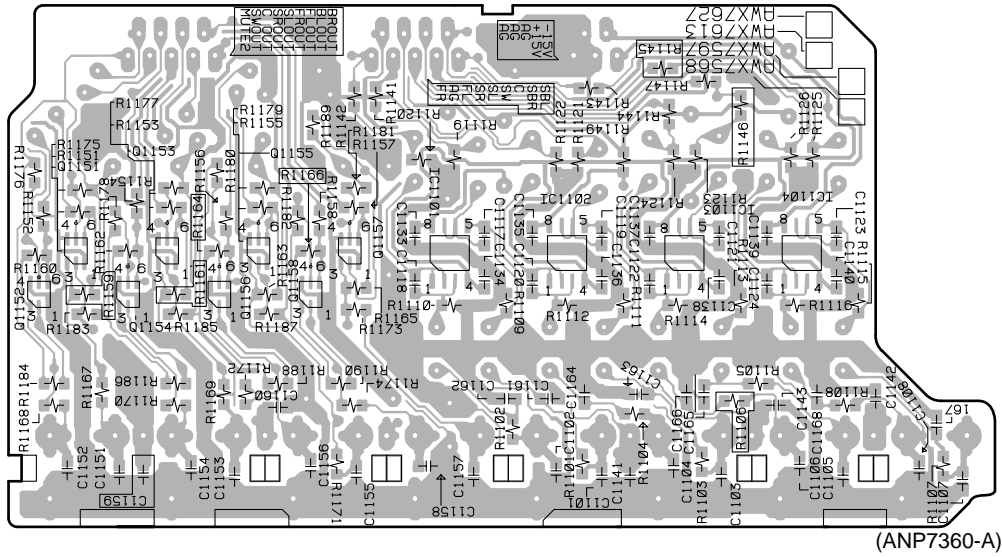
4.2 EX I/O ASSY (5.1CH I/O ASSY)

B EX I/O ASSY (5.1CH I/O ASSY)



SIDE A

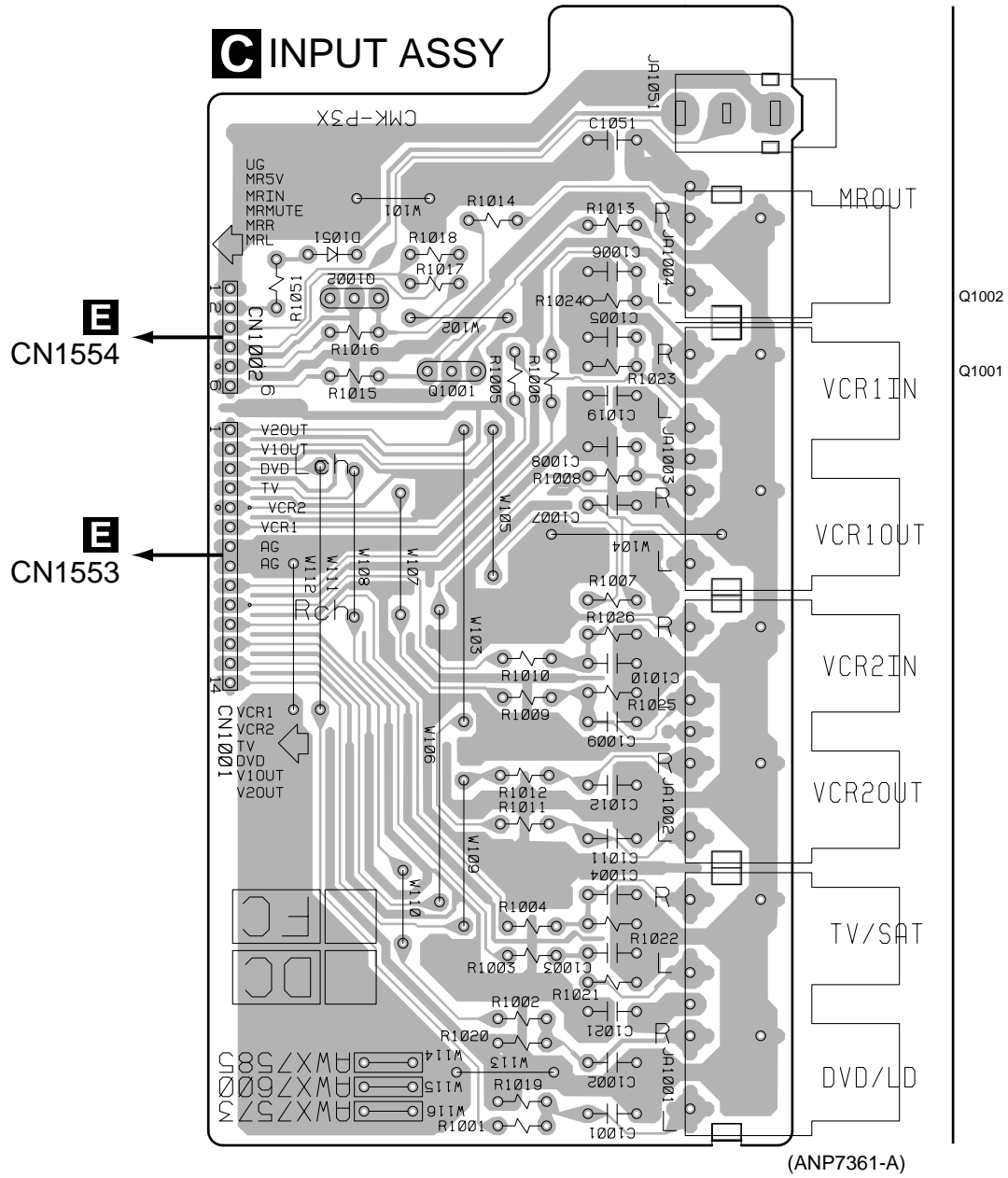
B EX I/O ASSY (5.1CH I/O ASSY)



SIDE B

Q1151 Q1153 Q1155 Q1157 IC1101 IC1102 IC1103 IC1104
 Q1152 Q1154 Q1156 Q1158

4.3 INPUT ASSY

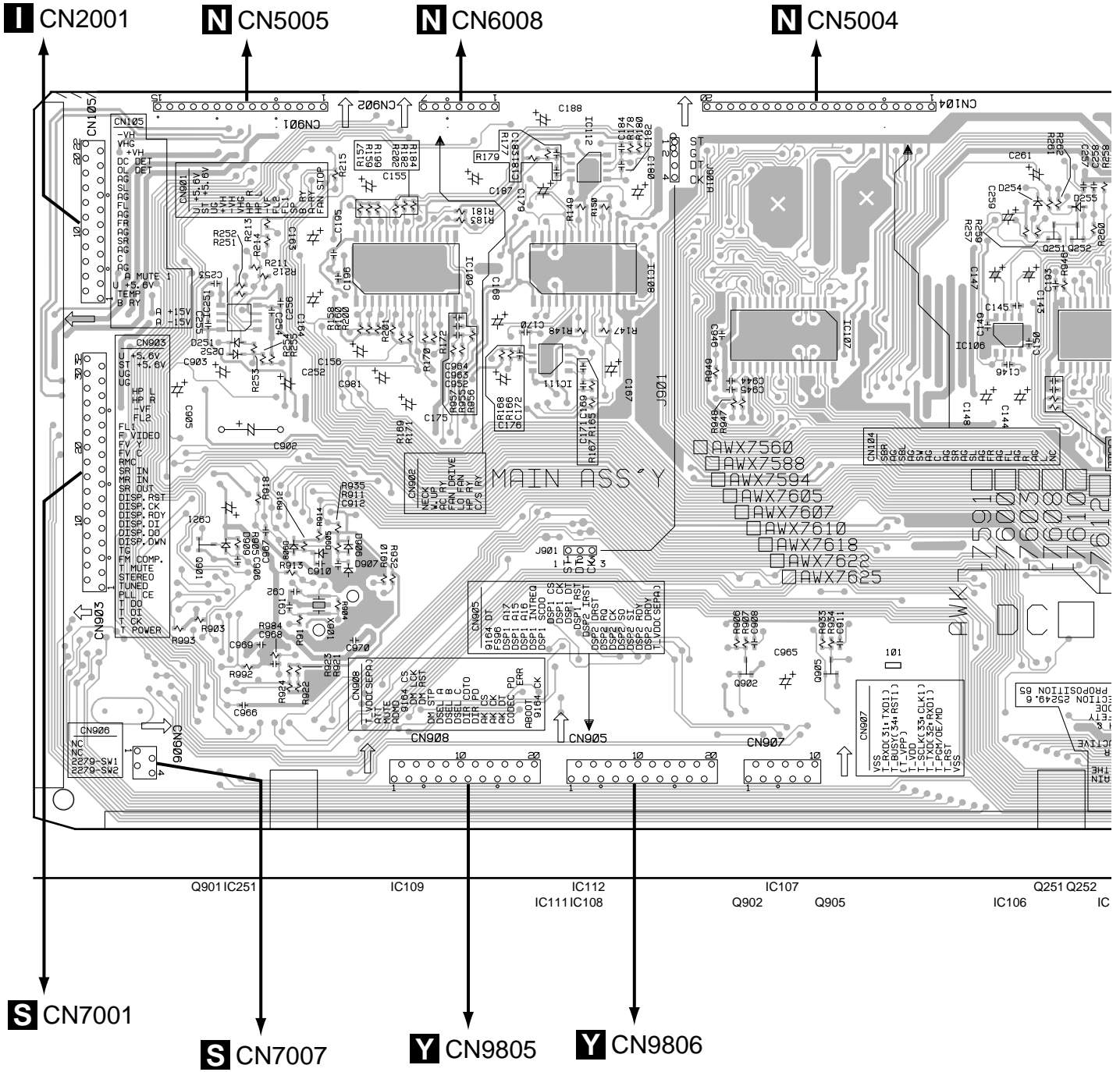


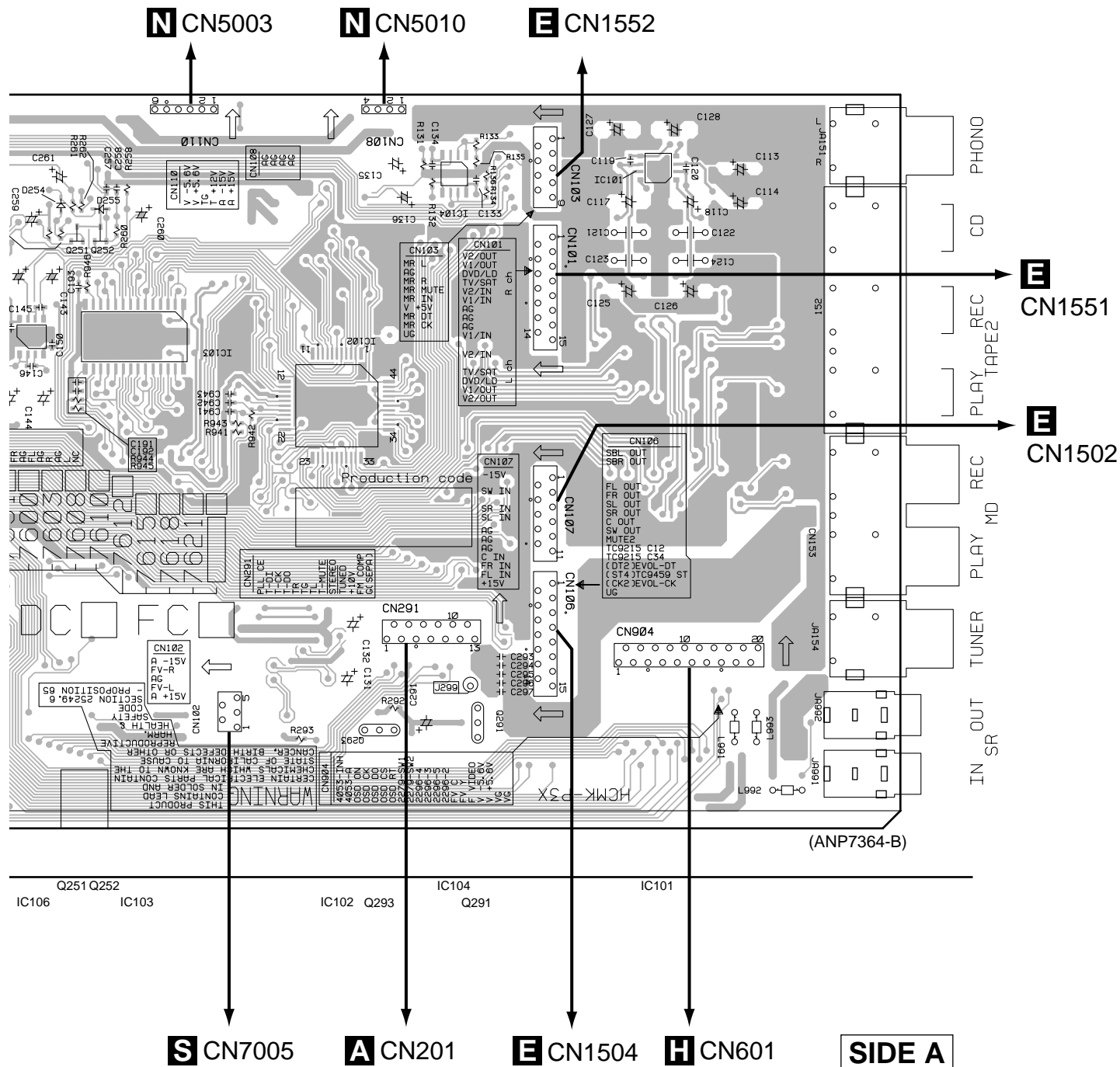
SIDE A



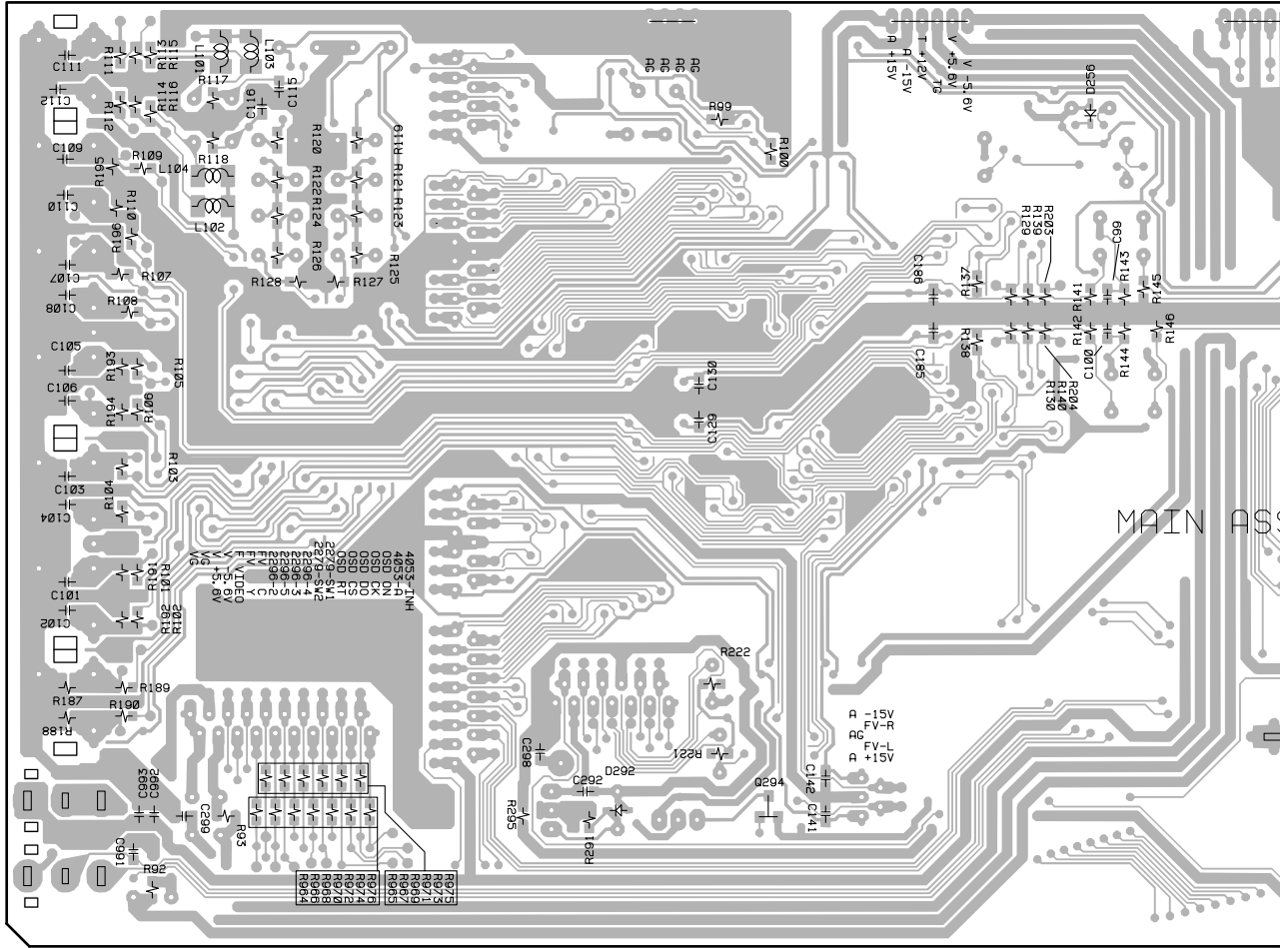
4.4 MAIN CONTROL ASSY

D MAIN CONTROL ASSY





D MAIN CONTROL ASSY



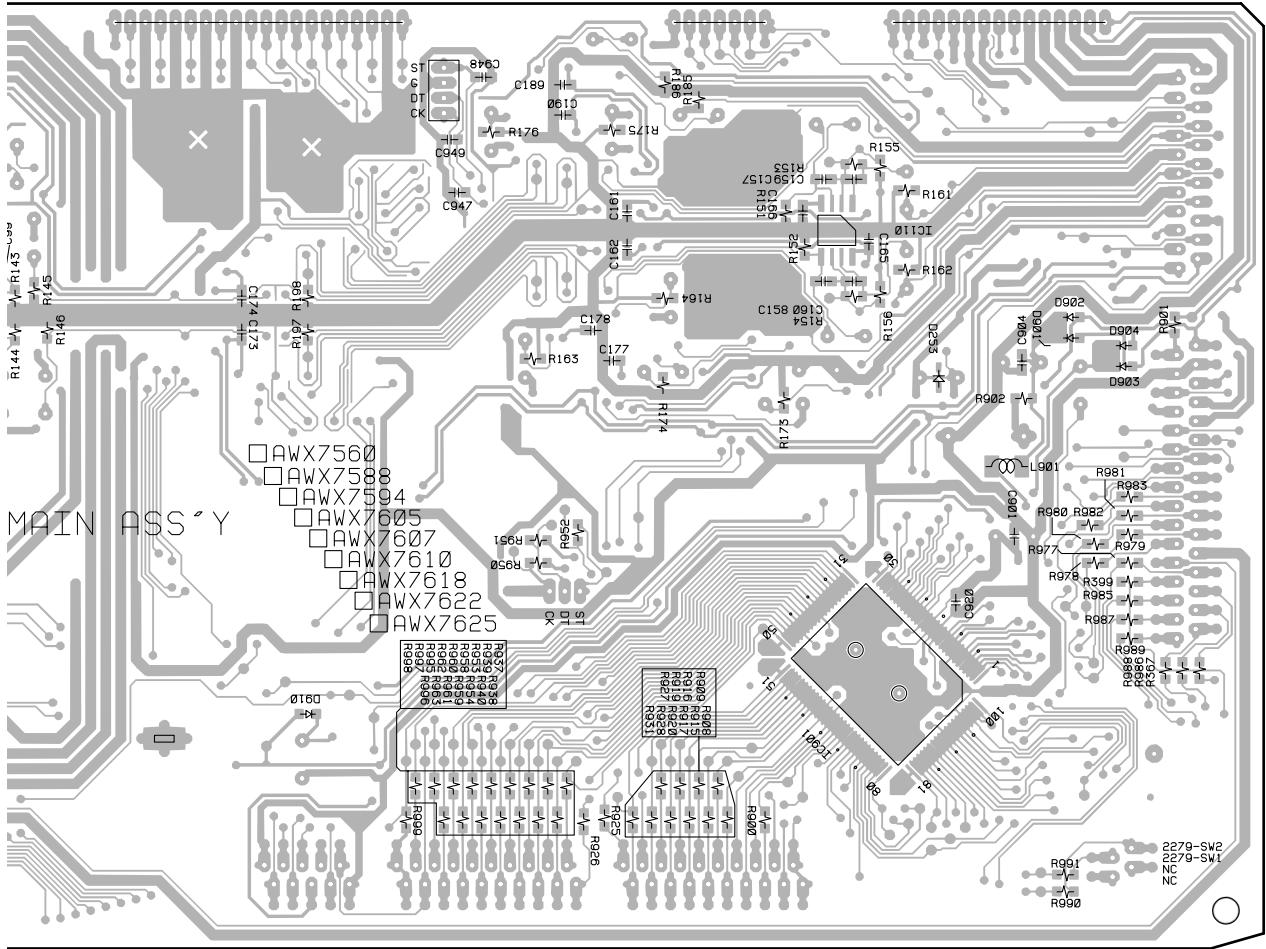
Q294

A

B

C

D



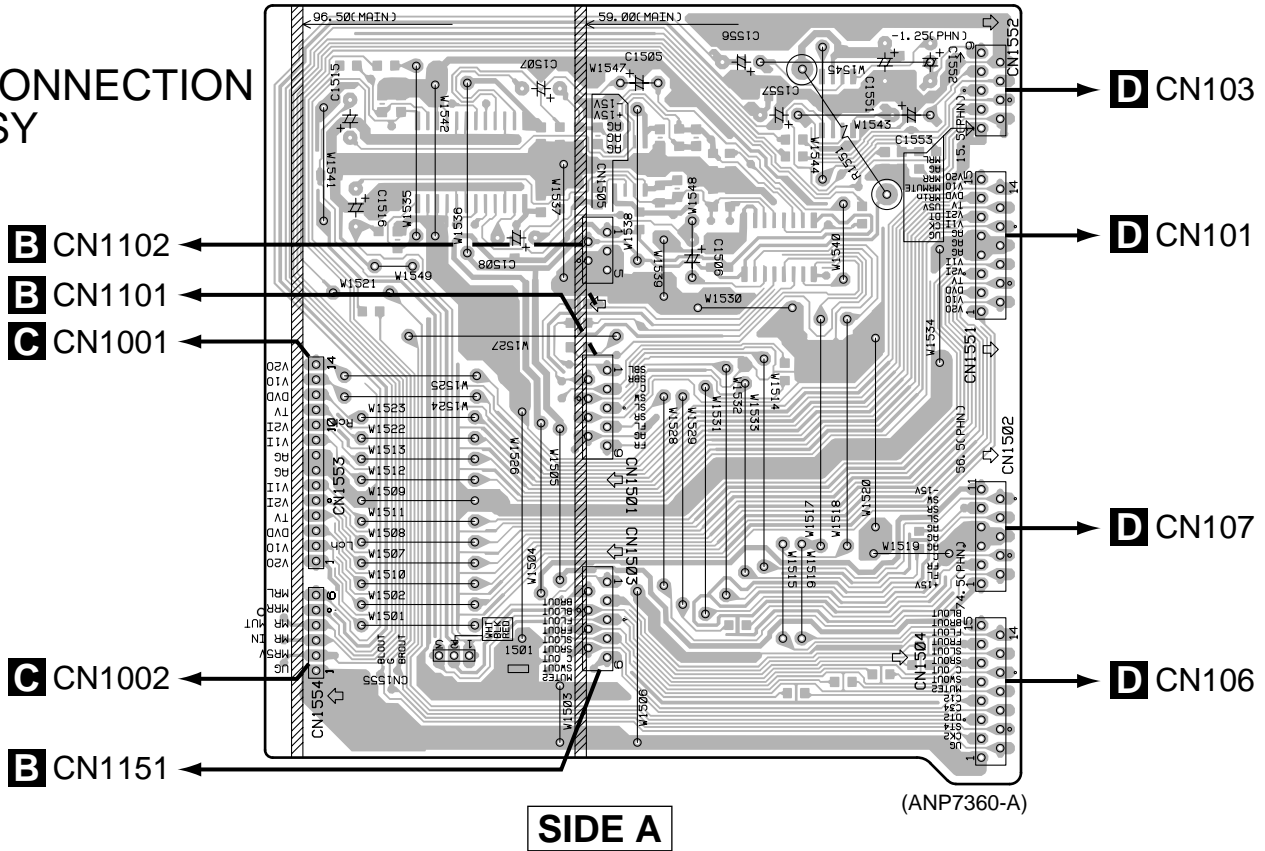
(ANP7364-B)

IC110 IC901

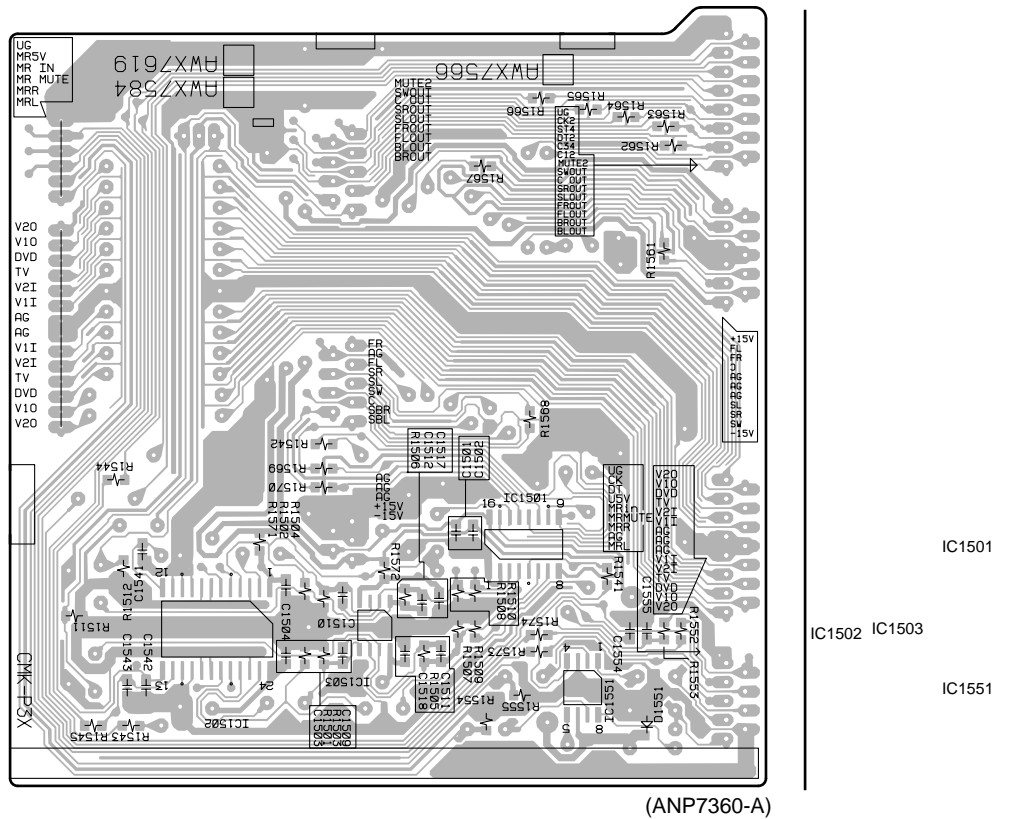
SIDE B

4.5 A-CONNECTION ASSY

E
A-CONNECTION
ASSY

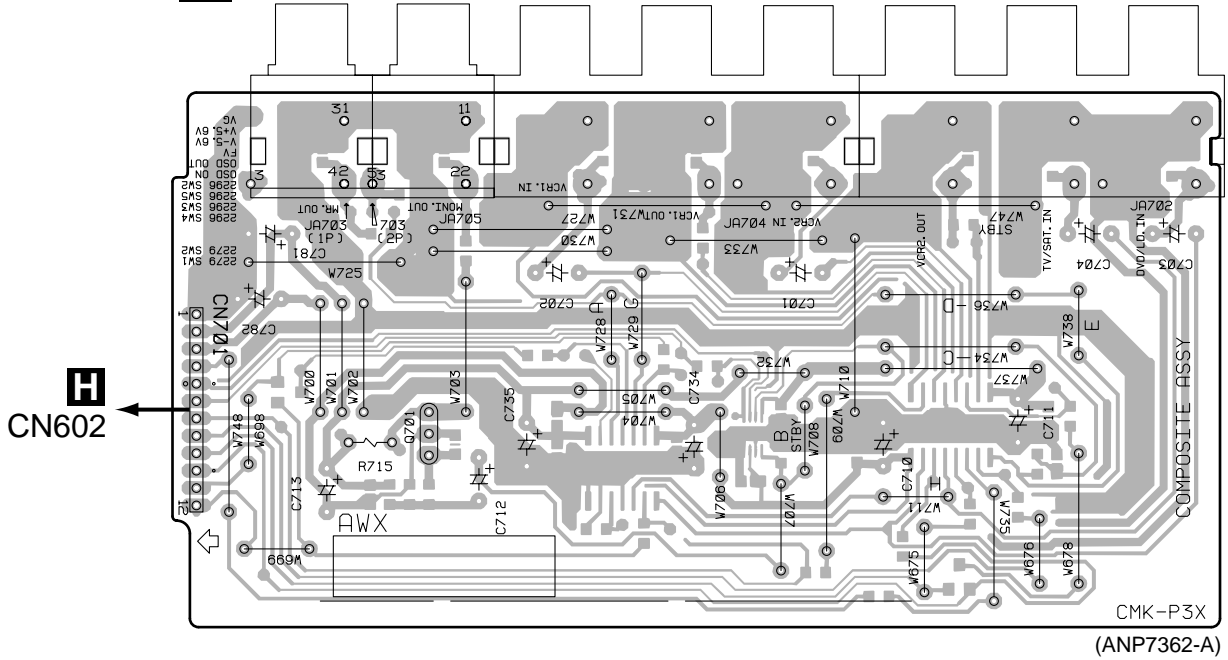


E
A-CONNECTION
ASSY



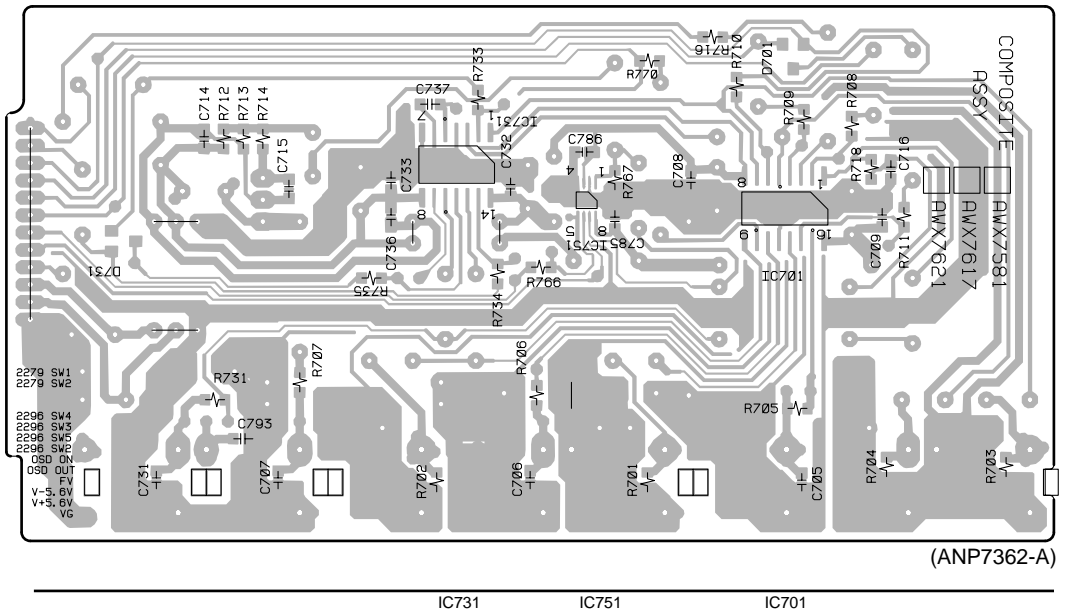
4.6 COMPOSITE ASSY

F COMPOSITE ASSY



SIDE A

F COMPOSITE ASSY

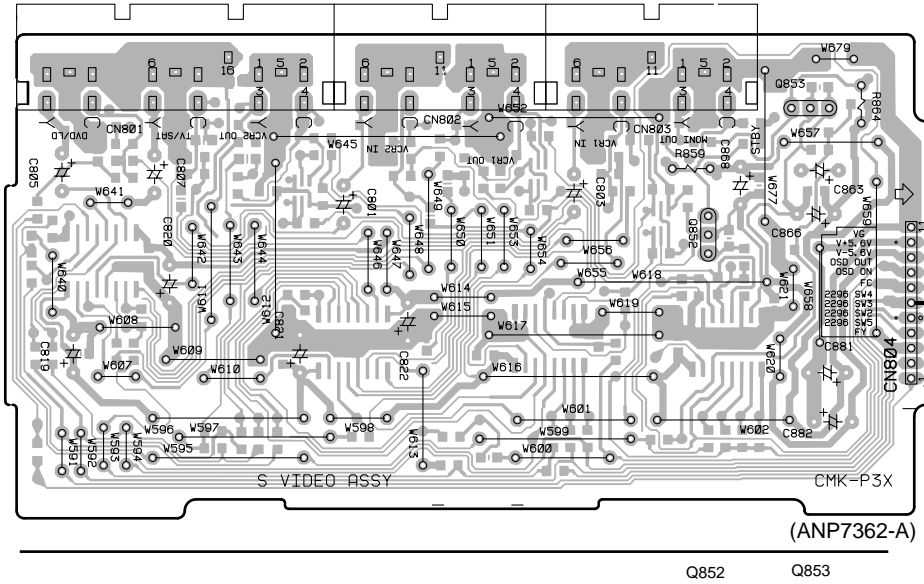


SIDE B

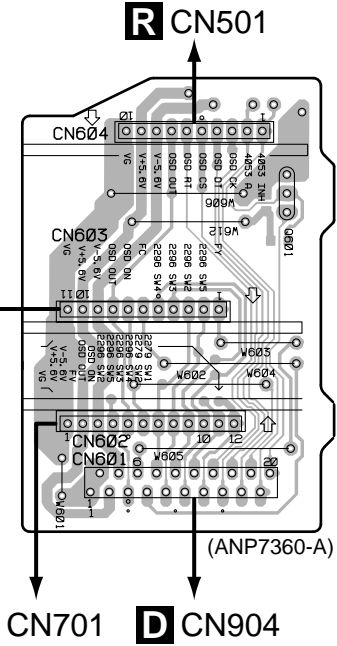


4.7 S VIDEO and V-CONNECTION ASSYS

G S VIDEO ASSY

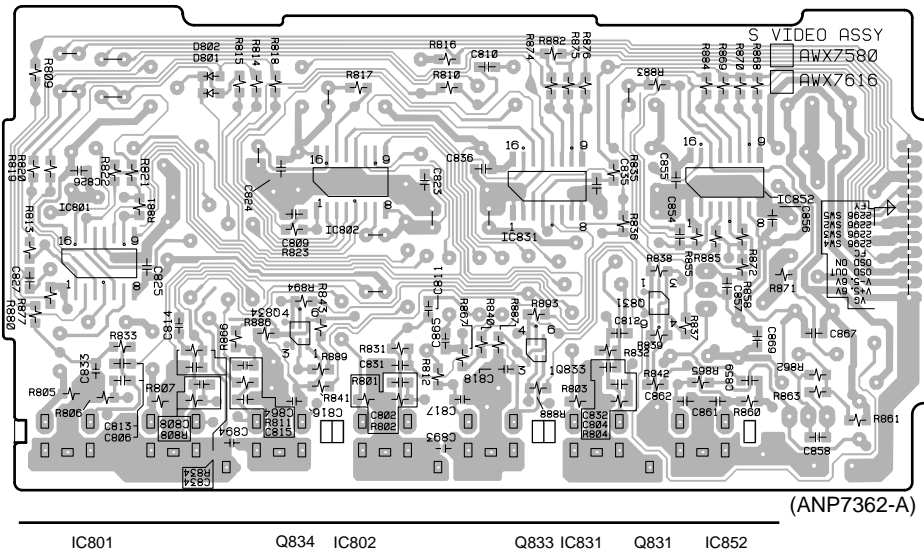


H V-CONNECTION ASSY

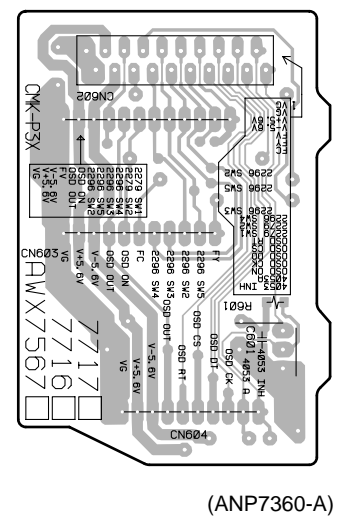


SIDE A

G S VIDEO ASSY



H V-CONNECTION ASSY

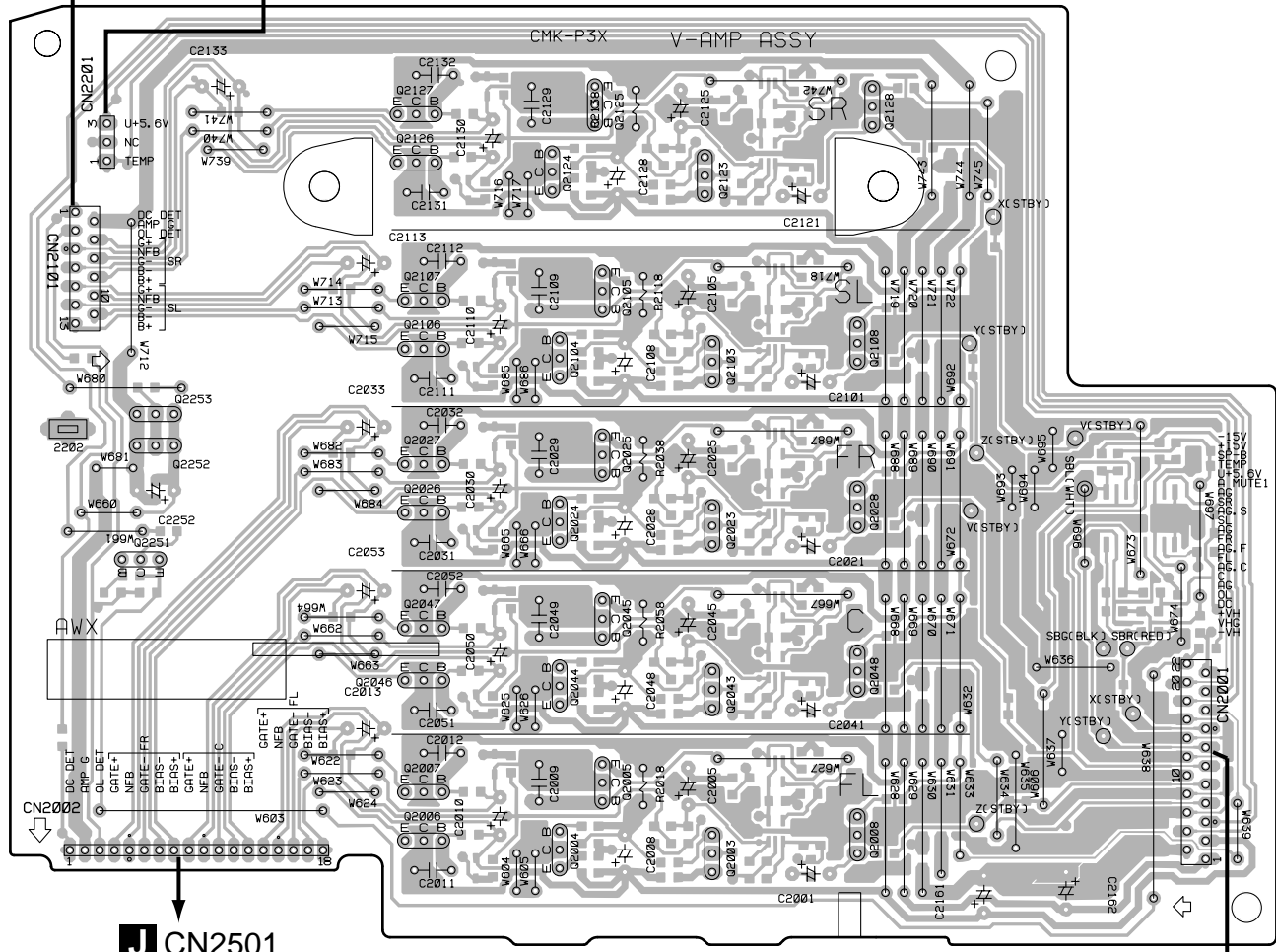


SIDE B

4.9 V-AMP ASSY

I V-AMP ASSY

K CN2601 TO THERMISTOR



J CN2501

D CN105

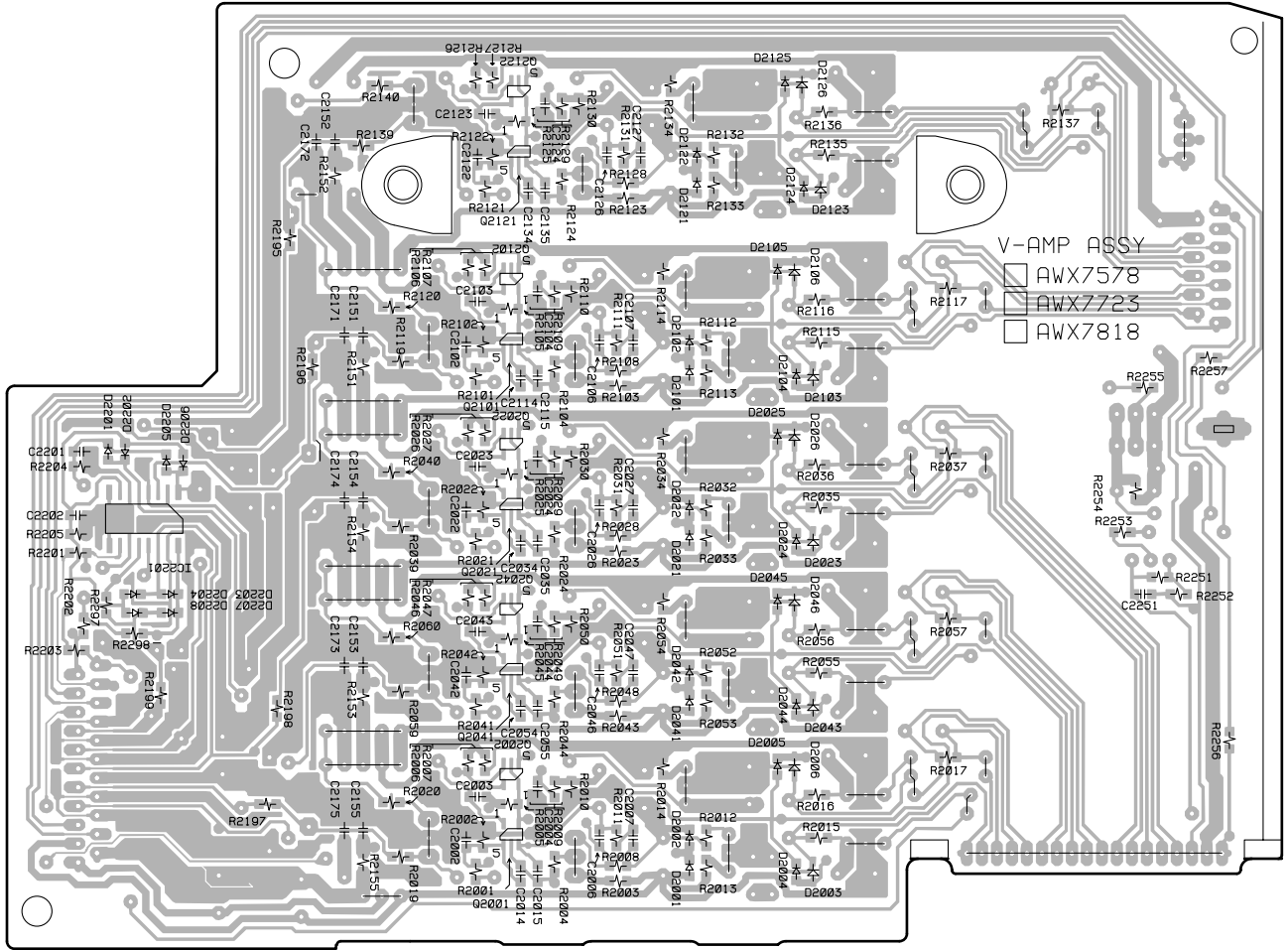
(ANP7362-A)

Q2253	Q2017	Q2124	Q2125	Q2123	Q2128
Q2252	Q2047	Q2104	Q2105	Q2103	Q2108
Q2251	Q2046	Q2104	Q2105	Q2023	Q2028
	Q2077	Q2024	Q2025	Q2043	Q2048
	Q2106	Q2044	Q2045	Q2043	Q2008
	Q2027	Q2004	Q2005	Q2003	
	Q2028				

SIDE A



V-AMP ASSY



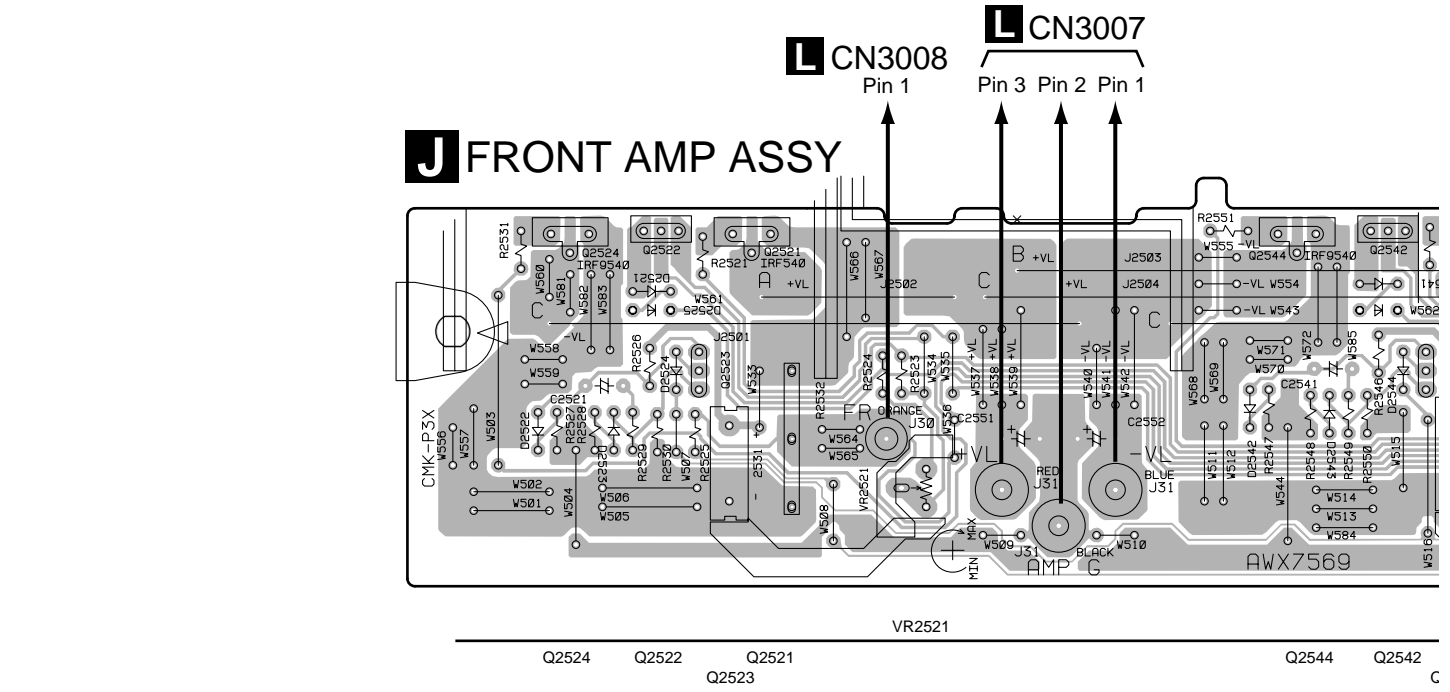
IC2201

- Q2122 Q2042
- Q2121 Q2041
- Q2101 Q2002
- Q2022 Q2001
- Q2021

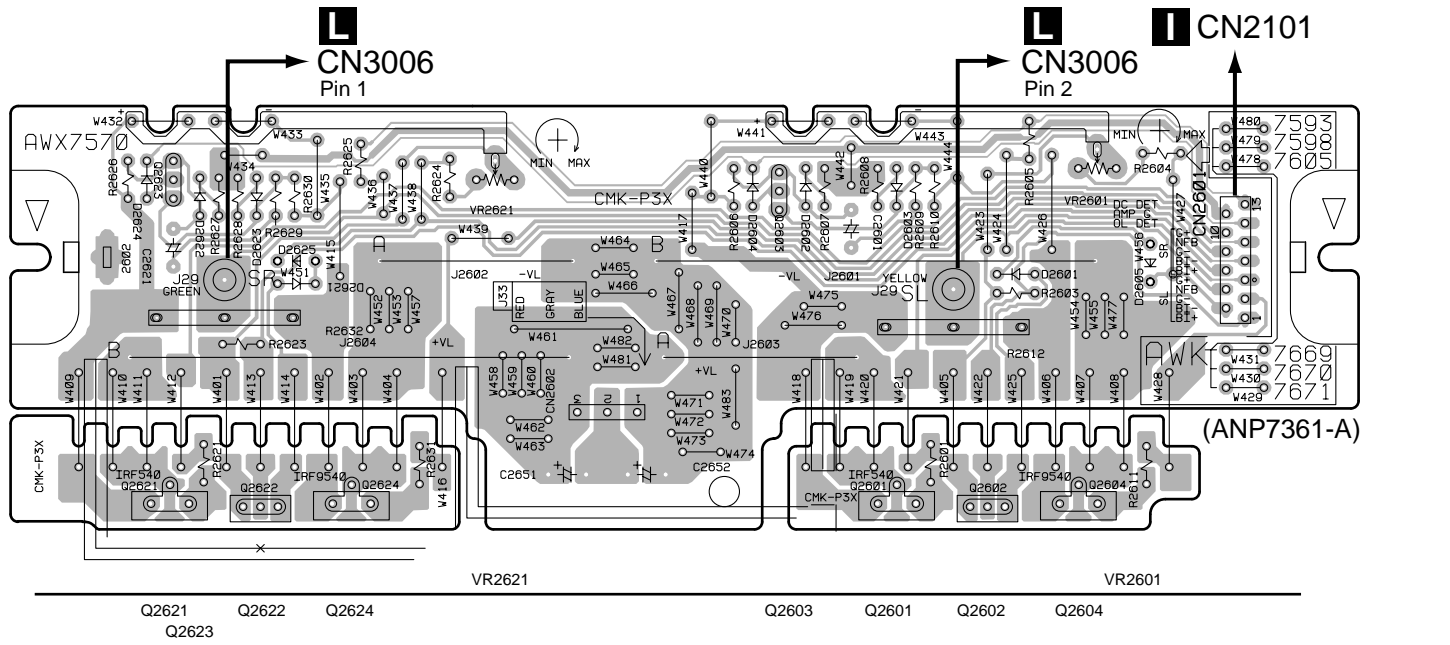
(ANP7362-A)

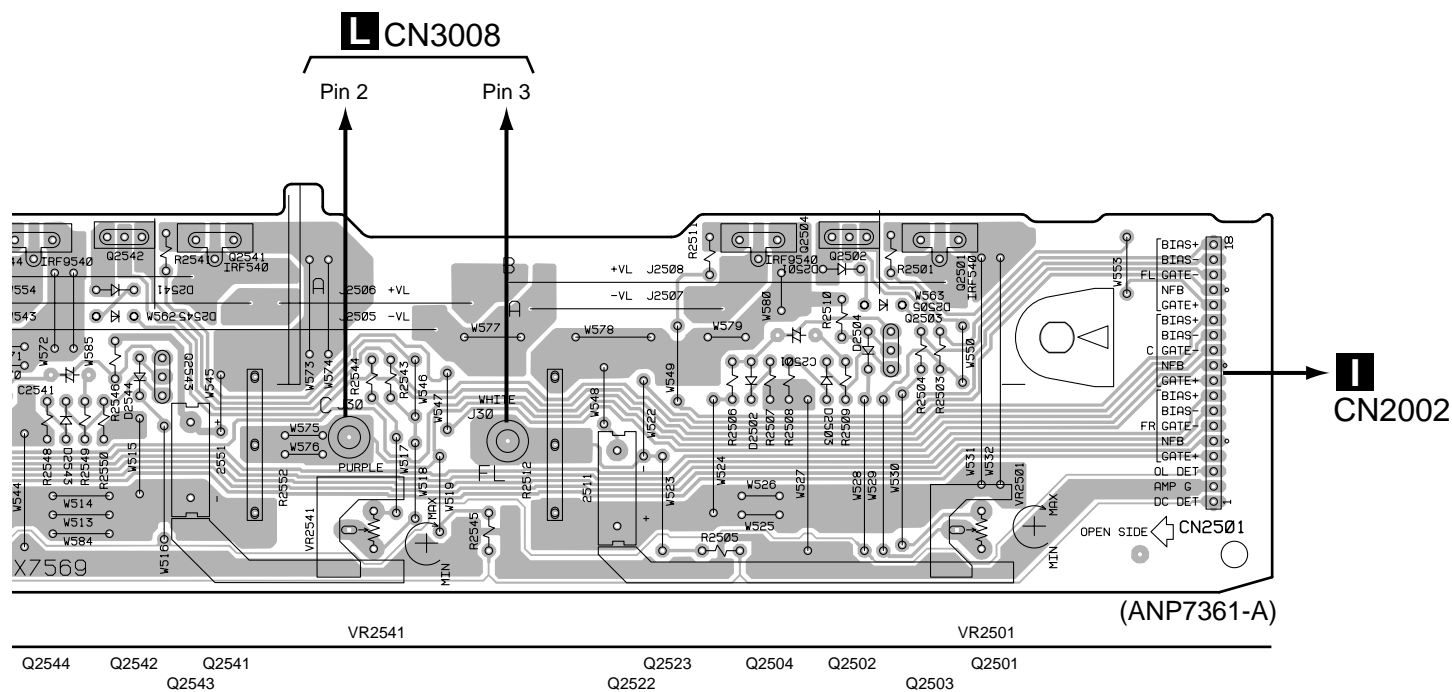
SIDE B

4.10 FRONT AMP and REAR AMP ASSYS

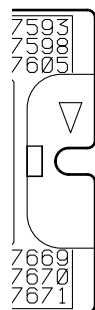


K REAR AMP ASSY





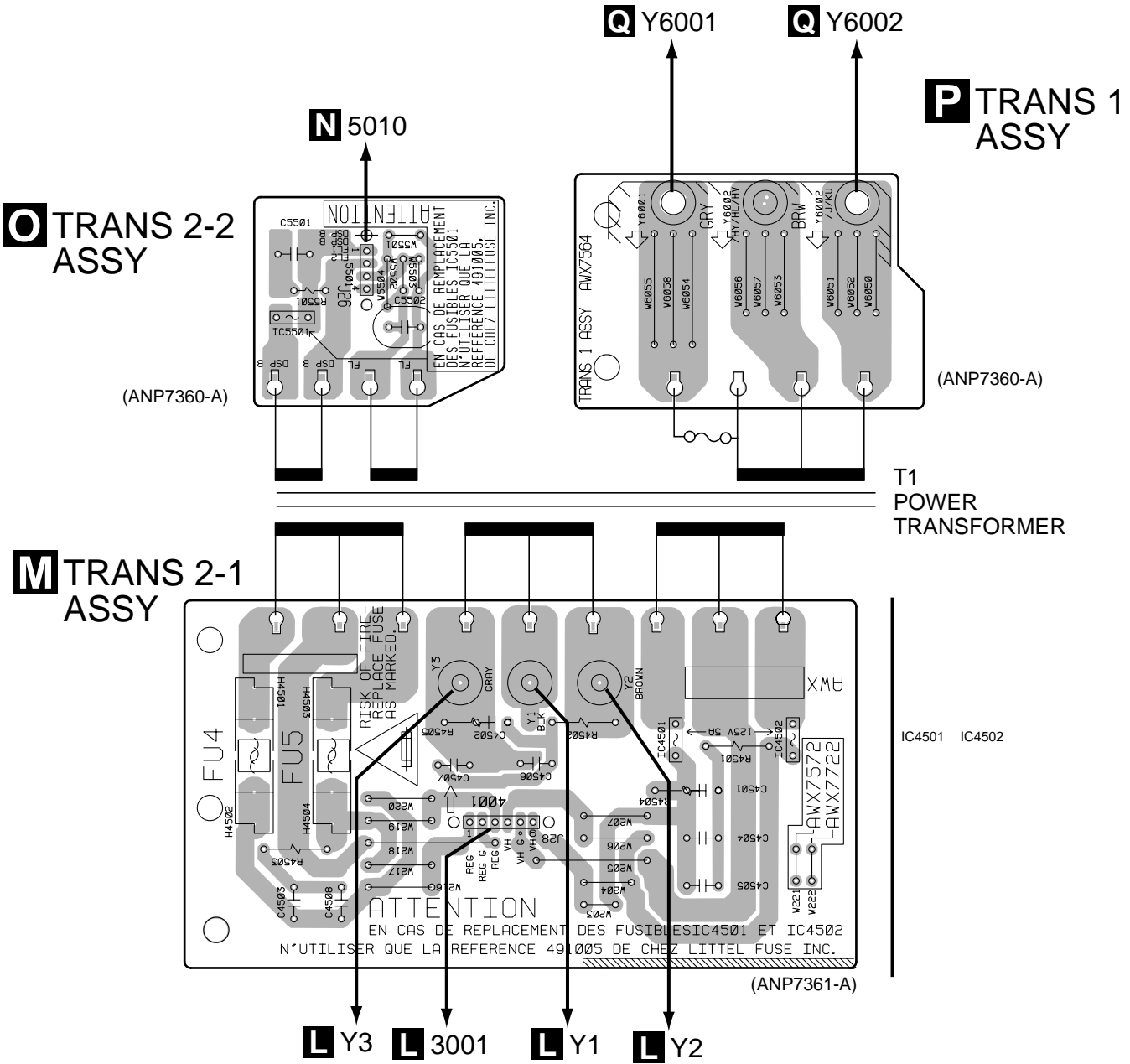
01



'361-A)

SIDE A

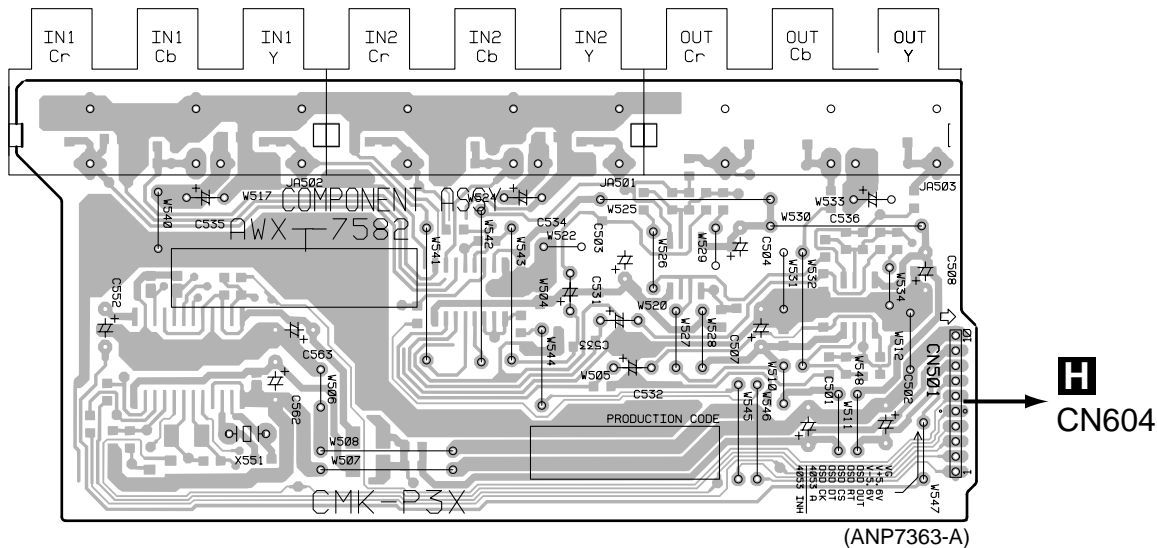
4.11 TRANS 2-1, TRANS 2-2 and TRANS 1 ASSYS



SIDE A

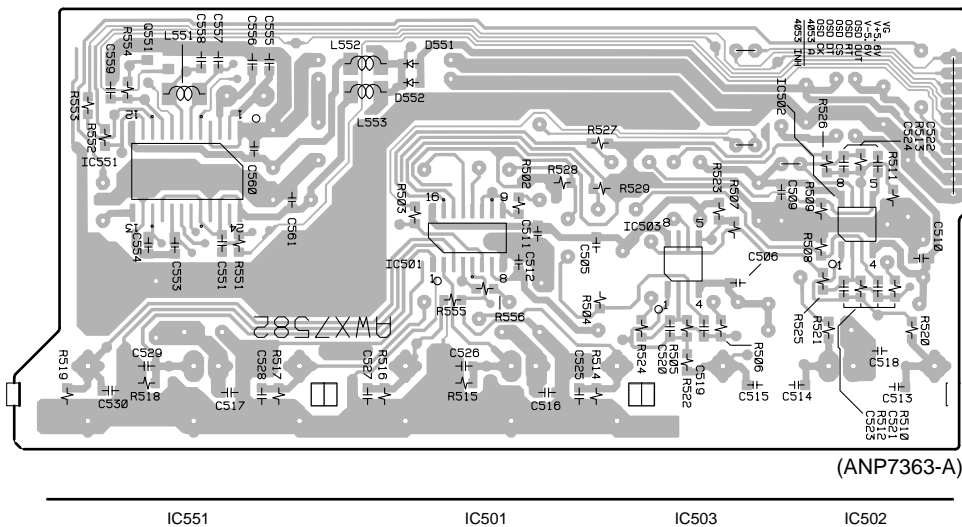
4.12 COMPONENT ASSY

R COMPONENT ASSY



SIDE A

R COMPONENT ASSY



SIDE B

VSX-35TX, VSX-33TX

4.13 REGULATOR and PRIMARY ASSYS

N REGULATOR ASSY

D CN108

D CN110

Y CN9802

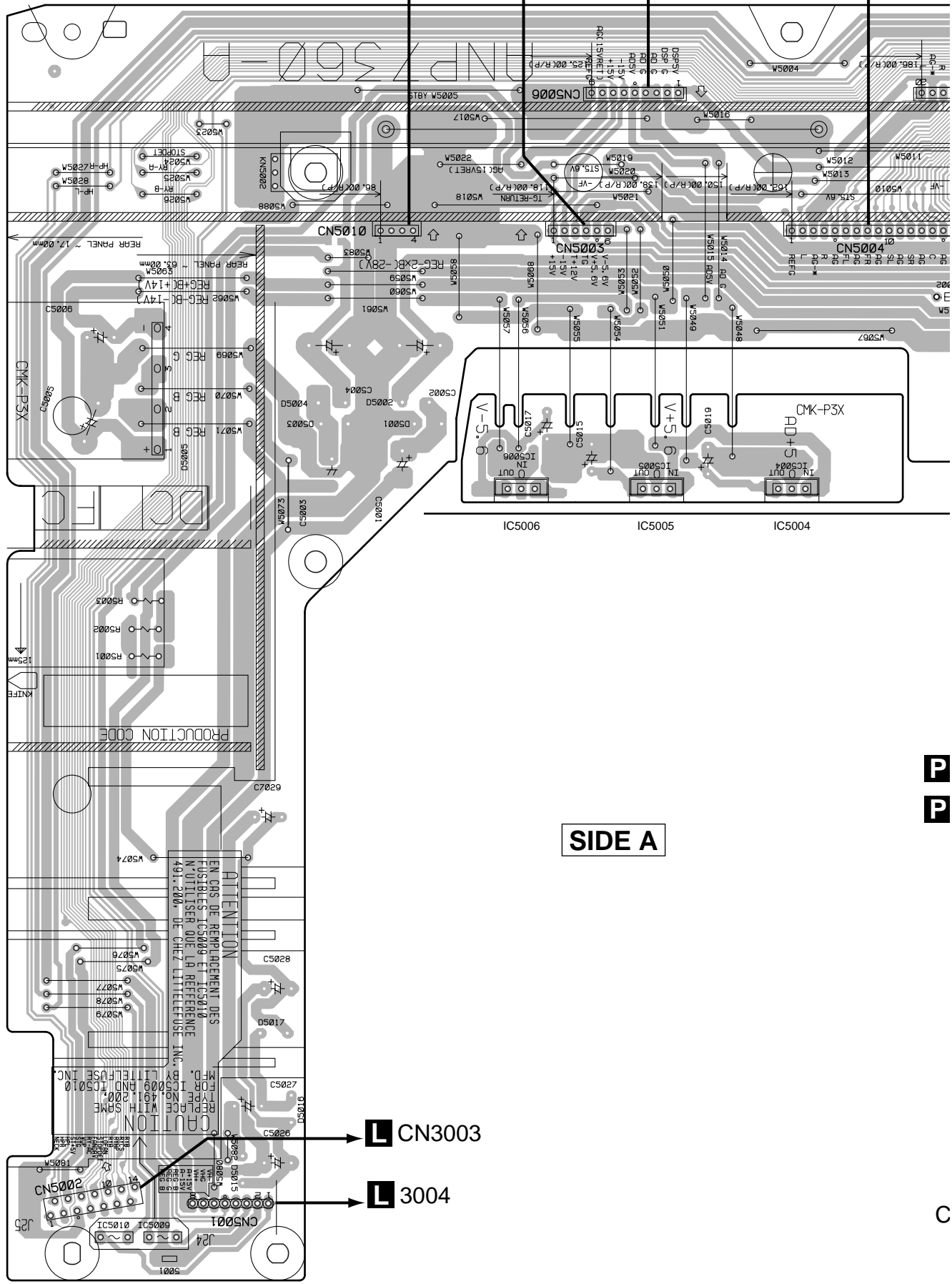
D CN104

A

B

C

D



SIDE A

P
P

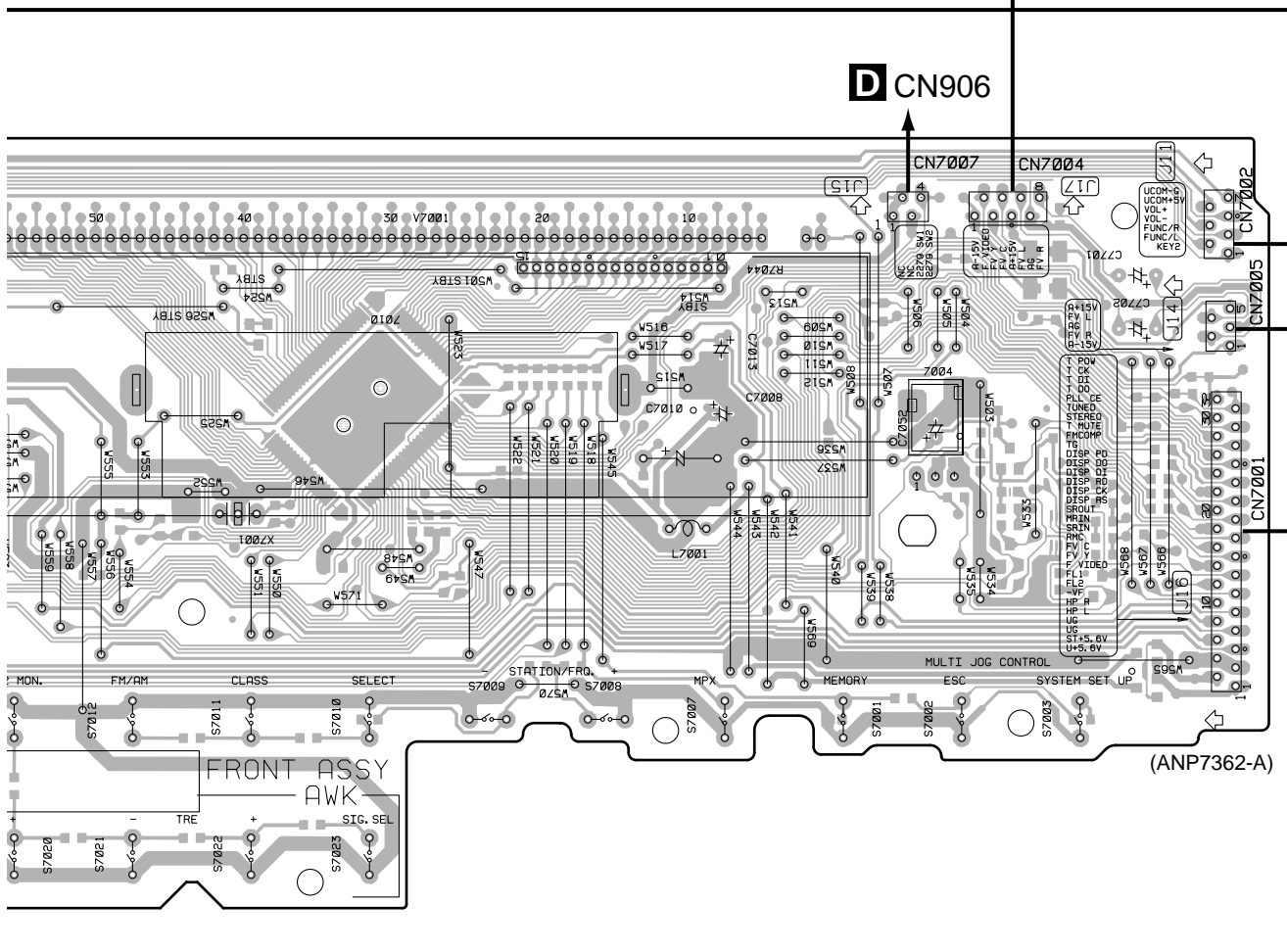
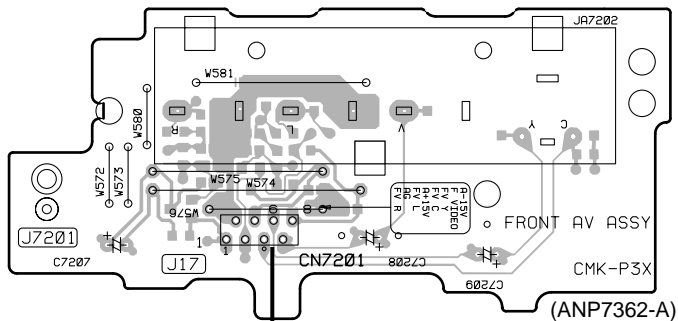
L CN3003

L 3004

C



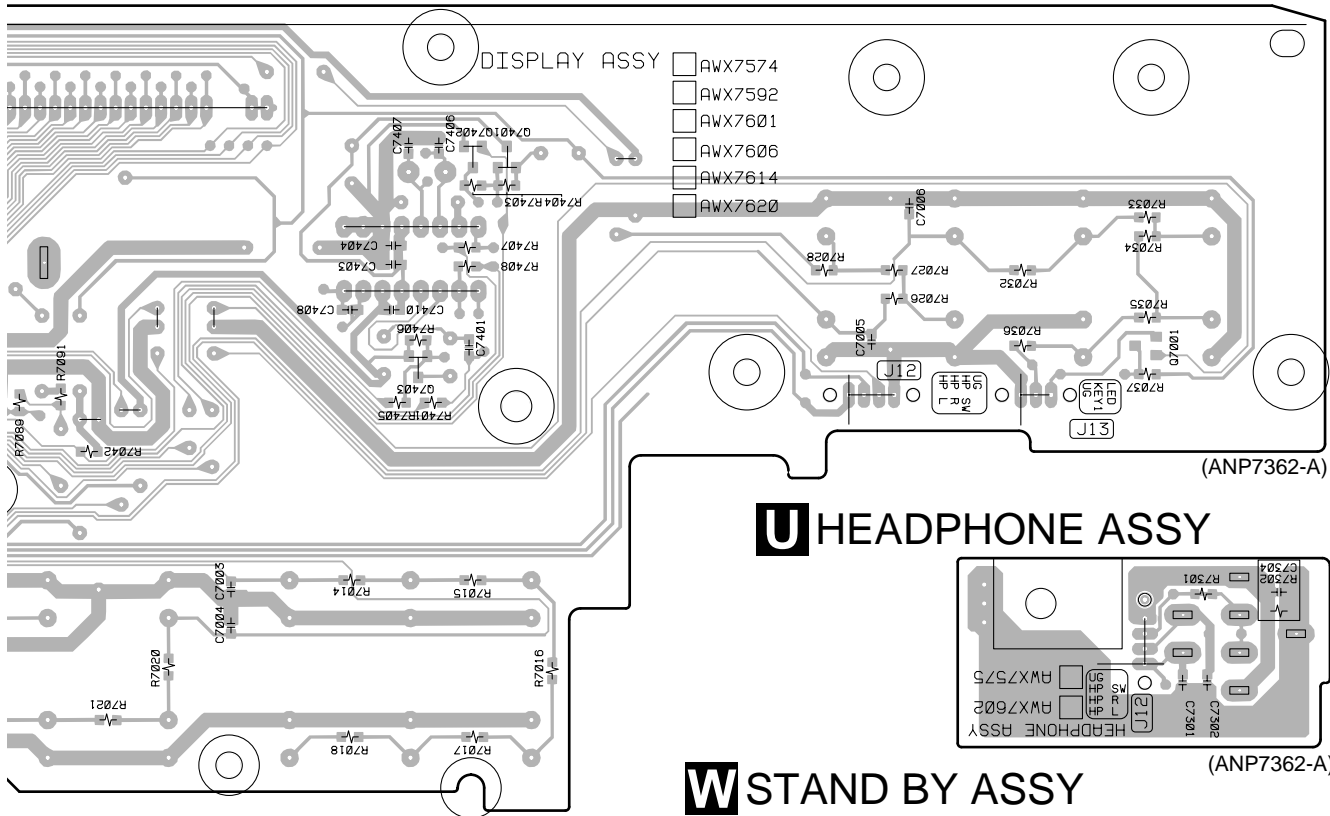
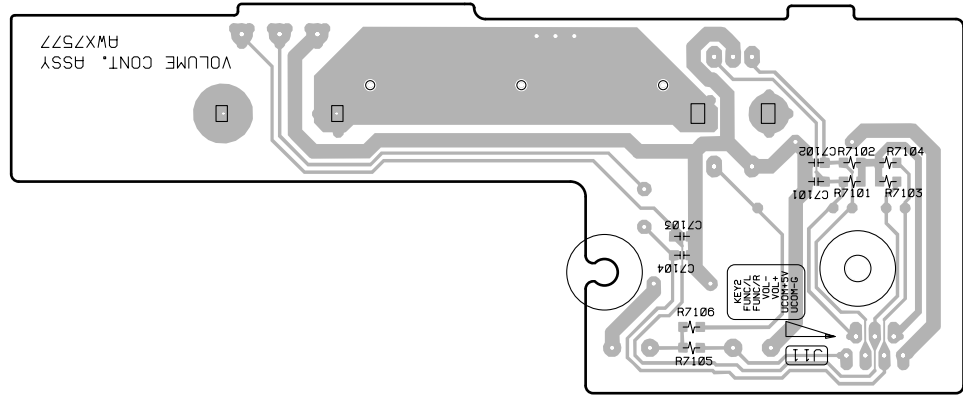
V FRONT AV ASSY



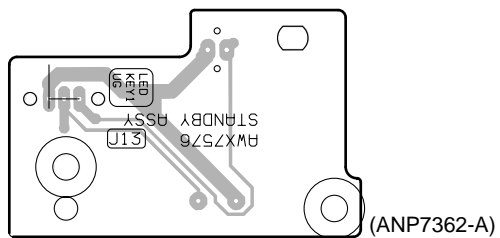
SIDE A



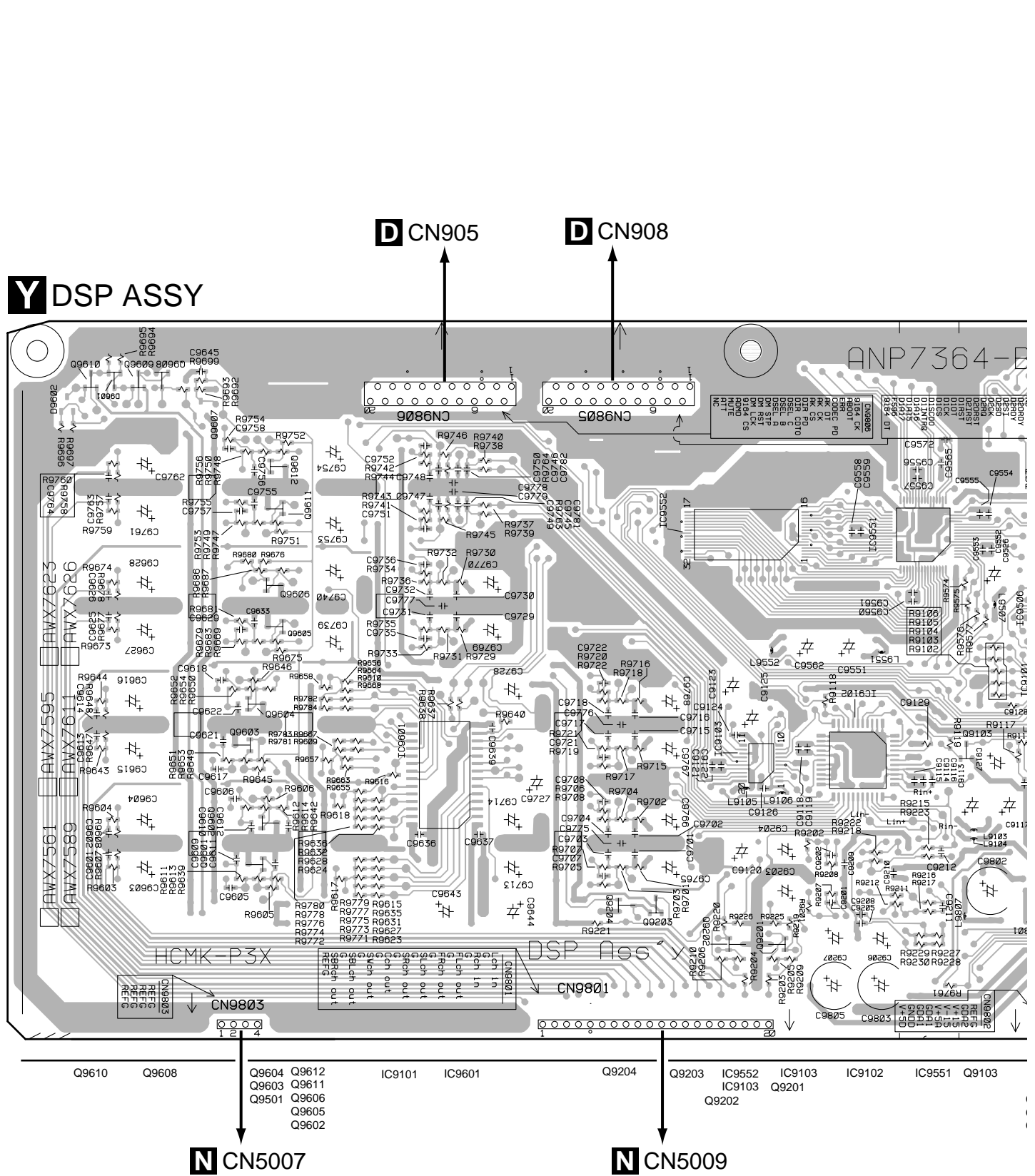
T VOLUME-CONT ASSY



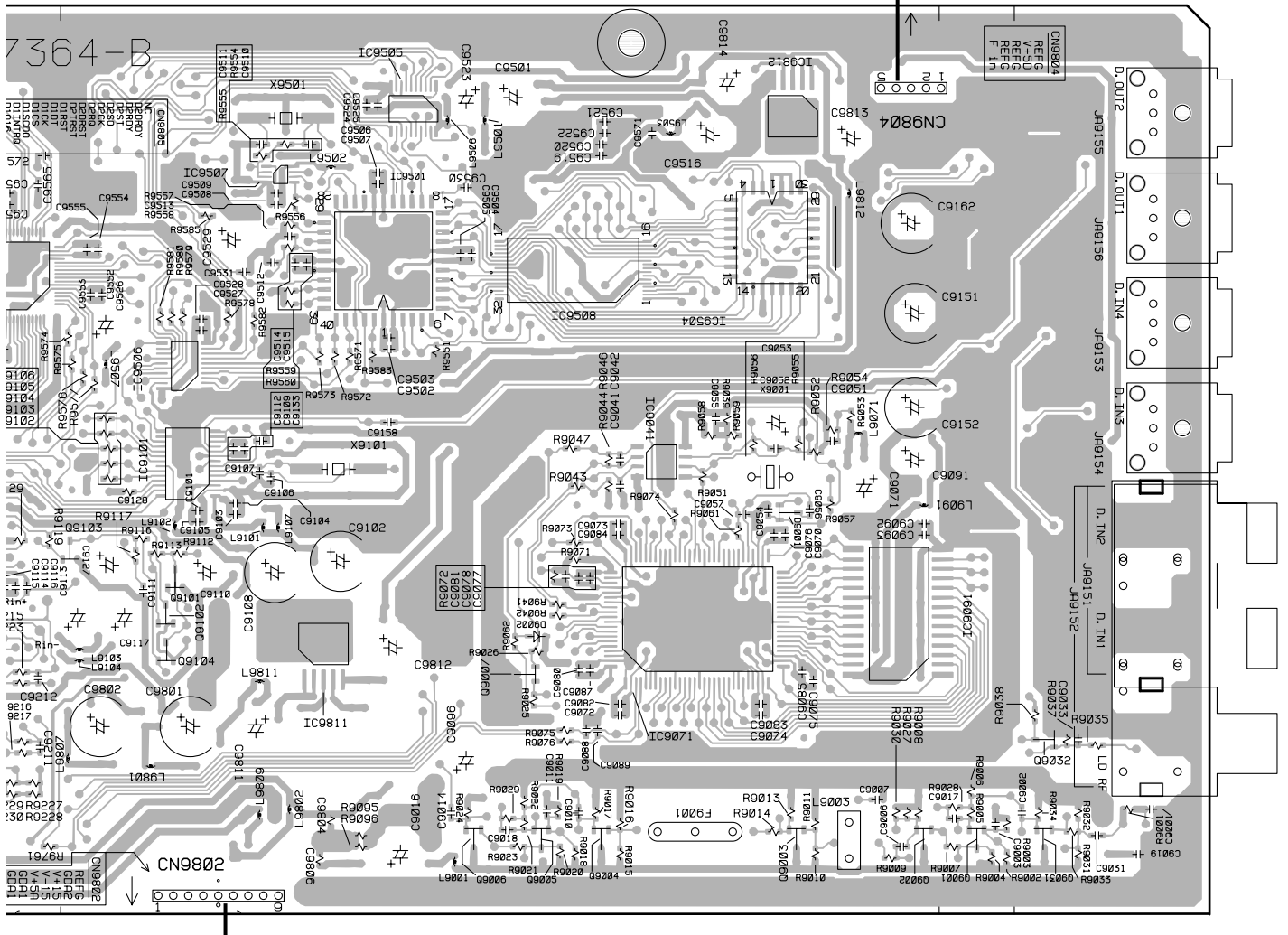
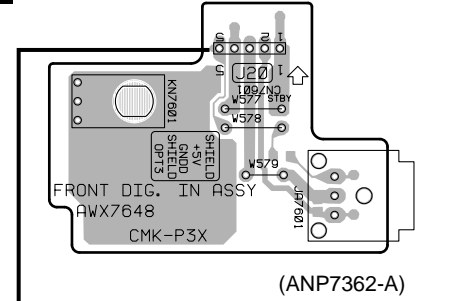
W STAND BY ASSY



4.15 DSP and FRONT DIGIN ASSYS



X FRONT DIGIN ASSY

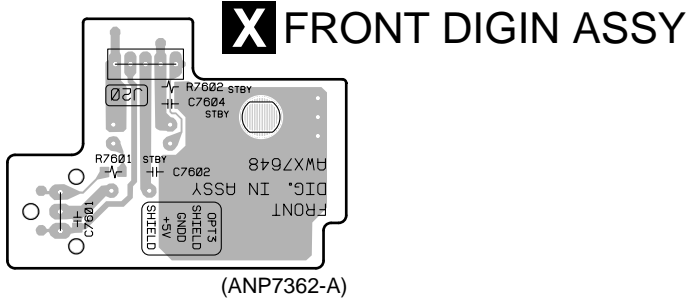


N CN5006

SIDE A

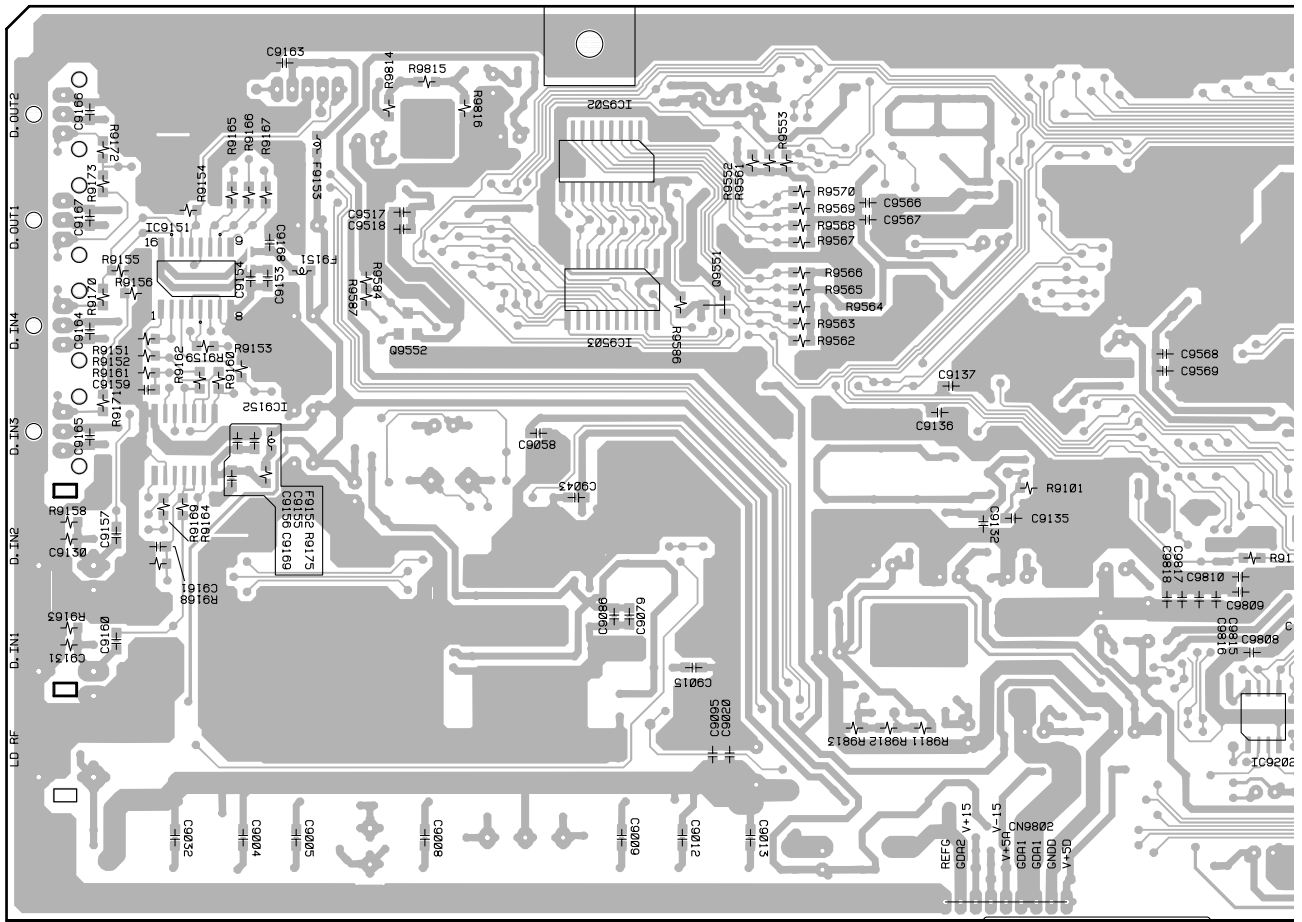
(ANP7364-B)





(ANP7362-A)

Y DSP ASSY



Q9610	Q9608	Q9604	Q9612	IC9101	IC9502	Q9501	IC9202
		Q9603	Q9611		IC9503		
		Q9501	Q9606				
			Q9605				
			Q9602				

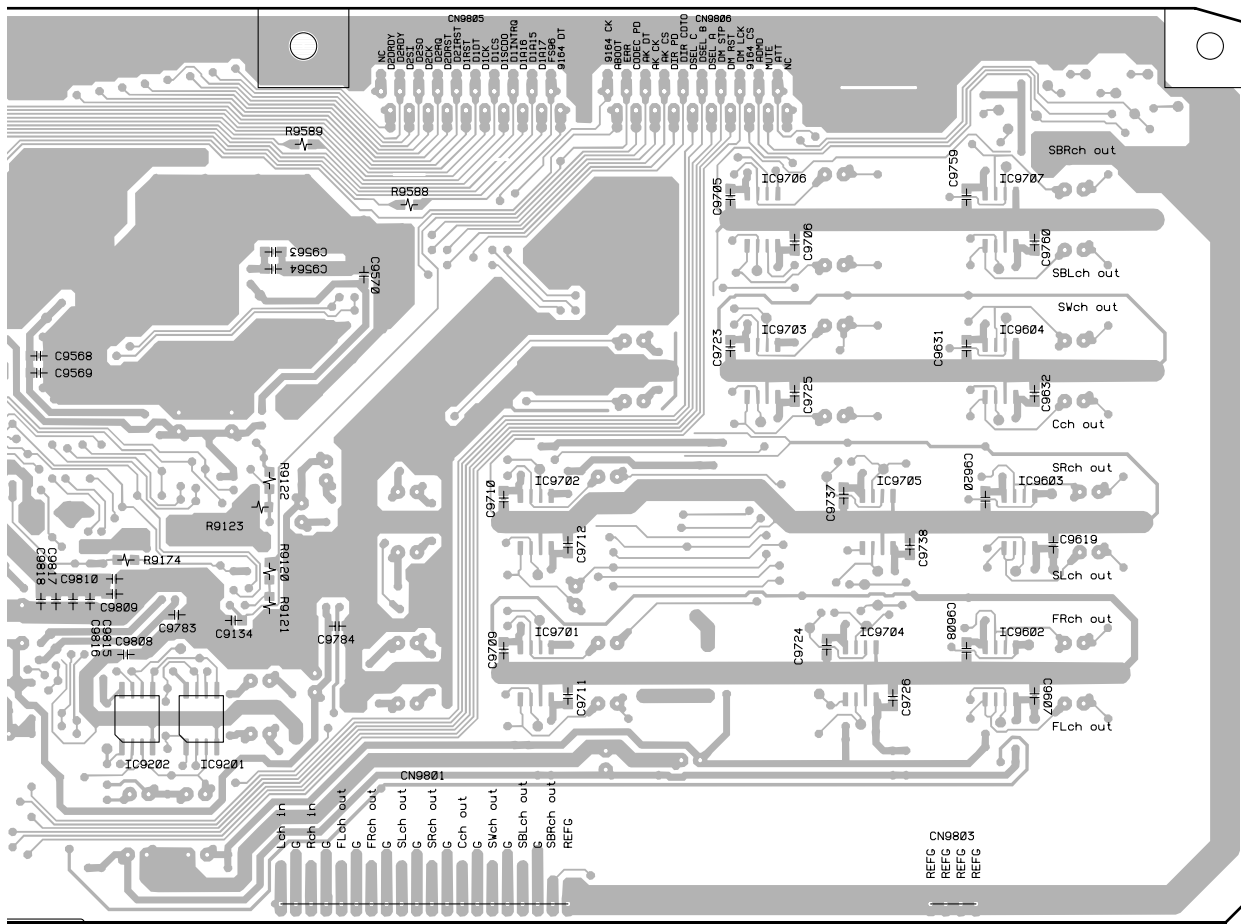


A

B

C

D



IC9202 IC9201

IC9702
IC9701

IC9706
IC9703

IC9705
IC9704

IC9702
IC9604
IC9603
IC9602

(ANP7364-B)

SIDE B



5. PCB PARTS LIST

NOTES: ●Parts marked by "NSP" are generally unavailable because they are not in our Master Spare Parts List.

●The Δ mark found on some component parts indicates the importance of the safety factor of the part.

Therefore, when replacing, be sure to use parts of identical designation.

●When ordering resistors, first convert resistance values into code form as shown in the following examples.

Ex.1 When there are 2 effective digits (any digit apart from 0), such as 560 ohm and 47k ohm (tolerance is shown by J=5%, and K=10%).

560 Ω → 56 × 10¹ → 561 RD1/4PU 5 6 1 J

47k Ω → 47 × 10³ → 473 RD1/4PU 4 7 3 J

0.5 Ω → R50 RN2H R 5 0 K

1 Ω → 1R0 RS1P 1 R 0 K

Ex.2 When there are 3 effective digits (such as in high precision metal film resistors).

5.62k Ω → 562 × 10¹ → 5621 RN1/4PC 5 6 2 1 F

■ LIST OF WHOLE PCB ASSEMBLIES

Mark	Symbol and Description	Part No.		Remarks
		VSX-35TX/KUXJI/CA	VSX-33TX/KUXJI/CA	
	FM/AM TUNER UNIT	AXQ7231	AXQ7231	
NSP	COMPLEX ASSY	AWK7592	AWK7613	
	├ EX I/O ASSY	AWX7568	Not used	
	├ 5.1CH I/O ASSY	Not used	AWX7613	
	├ A-CONNECTION ASSY	AWX7566	AWX7619	
	├ TRANS 2-2 ASSY	AWX7565	AWX7720	
	├ REGULATOR ASSY	AWX7562	AWX7562	
	├ V-CONNECTION ASSY	AWX7567	AWX7717	
	├ PRIMARY ASSY	AWX7563	AWX7563	
NSP	├ TRANS 1 ASSY	AWX7564	AWX7564	
NSP	POWER ASSY	AWK7593	AWK7598	
	├ INPUT ASSY	AWX7573	AWX7585	
	├ FRONT AMP ASSY	AWX7569	AWX7569	
	├ REAR AMP ASSY	AWX7570	AWX7570	
	├ SP/PS ASSY	AWX7571	AWX7721	
	├ TRANS 2-1 ASSY	AWX7572	AWX7572	
NSP	MAIN ASSY	AWK7591	AWK7612	
	├ MAIN CONTROL ASSY	AWX7560	AWX7610	
	├ DSP ASSY	AWX7561	AWX7611	
NSP	FRONT ASSY	AWK7594	AWK7614	
	├ V-AMP ASSY	AWX7578	AWX7578	
	├ S VIDEO ASSY	AWX7580	AWX7616	
	├ COMPOSITE ASSY	AWX7581	AWX7617	
	├ FRONT AV ASSY	AWX7579	AWX7579	
	├ DISPLAY ASSY	AWX7574	AWX7614	
	├ VOLUME-CONT ASSY	AWX7577	AWX7577	
	├ HEADPHONE ASSY	AWX7602	AWX7602	
	├ FRONT DIGIN ASSY	AWX7648	Not used	
	├ STAND BY ASSY	AWX7576	AWX7576	
NSP	VIDEO ASSY	AWK7595	Not used	
	├ COMPONENT ASSY	AWX7582	Not used	

C INPUT ASSY

AWX7573 and AWX7585 are constructed the same except for the following :

Mark	Symbol and Description	Part No.		Remarks
		AWX7573	AWX7585	
	Q1001, Q1002 D1051 C1051 R1013-R1016, R1051 R1017, R1018 CN1002 6P SOCKET JA1004 2P PIN JACK JA1051 MULTI ROOM JACK	2SC2878 1SS133 CGCYX103M16 RD1/4PU102J RD1/4PU473J KP200TA6L AKB7046 AKN7014	Not used Not used Not used Not used Not used Not used Not used Not used	

D MAIN CONTROL ASSY

AWX7560 and AWX7610 are constructed the same except for the following :

Mark	Symbol and Description	Part No.		Remarks
		AWX7560	AWX7610	
	IC101 IC103 IC104 Q905 C113, C114 C115, C116 C117, C118 C121, C122 C123, C124 C125, C126 C127, C128 C133, C134, C911 C135, C136 C191-C193 R111, R112 R113, R114, R117, R118, R129, R130, R139, R140 R203, R204 R115, R116 R119, R120 R121, R122 R123, R124 R125, R126, R133, R134 R131, R132 R135, R136, R934, R944-R946 R923 R924 R933 R990, R991 CN103 9P PLUG CN906 4P FFC CONNECTOR JA151 2P PIN JACK	M5220FP TC9164AF NJM4558MD DTA124EK CEAT100M50 CCSQCH181J50 CEAT470M25 CQMA822J50 CQMA242J50 CEAT2R2M50 CEJQ101M25 CKSRYB103K50 CEAT1R0M50 CCSRCH101J50 RS1/10S0R0J RS1/10S104J RS1/10S104J RS1/10S331J RS1/10S511J RS1/10S394J RS1/10S303J RS1/10S471J RS1/10S474J RS1/16S102J Not used RS1/16S103J RS1/16S473J RS1/10S102J AKP7057 52045-0445 VKB1060	Not used Not used Not used Not used Not used Not used Not used Not used Not used Not used Not used Not used Not used Not used Not used Not used Not used Not used Not used Not used Not used Not used Not used Not used Not used Not used Not used Not used Not used Not used Not used	

VSX-35TX, VSX-33TX

E A-CONNECTION ASSY

AWX7566 and AWX7619 are constructed the same except for the following :

Mark	Symbol and Description	Part No.		Remarks
		AWX7566	AWX7619	
	IC1501 IC1502 IC1503 IC1551 D1551	TC9215AF TC9459F NJM4558MD M62429FP UDZS5.1B	Not used Not used Not used Not used Not used	
	C1501-C1504, C1517, C1518 C1507, C1508 C1511, C1512 C1515, C1516, C1551-C1553 C1541-C1543	CKSQYB103K50 CEAT100M50 CCSQCH560J50 CEAT100M50 CCSQCH101J50	Not used Not used Not used Not used Not used	
	C1554, C1555 C1556, C1557 R1503, R1504, R1511, R1512 R1505, R1506, R1554, R1555 R1507, R1508	CCSQCH101J50 CEAT1R0M50 RS1/10S104J RS1/10S103J RS1/10S472J	Not used Not used Not used Not used Not used	
	R1509, R1510 R1541-R1545, R1552, R1553 R1551 R1569-R1574 CN1552 9P SOCKET	RS1/10S152J RS1/10S102J RS3LMF391J RS1/10S0R0J AKP7068	Not used Not used Not used Not used Not used	
	CN1554 6P PLUG	KM200TA6	Not used	

F COMPOSITE ASSY

AWX7581 and AWX7617 are constructed the same except for the following :

Mark	Symbol and Description	Part No.		Remarks
		AWX7581	AWX7617	
	IC731 IC751 Q701 D731 C707	NJM2279M TC4W53FU 2SA933S DAN202K CCSQCH181J50	Not used Not used Not used Not used Not used	
	C712, C734, C735 C713 C714, C732, C733, C736, C785, C786 C715 C737	CEAT101M10 CEAT101M16 CKSQYB473K50 CCSQCH150J50 CCSQCH470J50	Not used Not used Not used Not used Not used	
	R707 R712 R713 R714 R715	RS1/10S750J RS1/10S183J RS1/10S103J RS1/10S101J RD1/2VM201J	Not used Not used Not used Not used Not used	
	R733-R735, R766 R767 JA703 703 2P PIN JACK	RS1/10S102J RS1/10S104J Not used AKB7017	Not used Not used VKB1048 Not used	

G S VIDEO ASSY

AWX7580 and AWX7616 are constructed the same except for the following :

Mark	Symbol and Description	Part No.		Remarks
		AWX7580	AWX7616	
	IC852 C854 C855, C856 R855 R868-R870 R883, R885 R884	BU4053BCF CCSQCH151J50 CKSQYB103K50 RS1/10S103J RS1/10S102J Not used RS1/10S0R0J	Not used Not used Not used Not used Not used RS1/10S0R0J Not used	

H V-CONNECTION ASSY

AWX7567 and AWX7717 are constructed the same except for the following :

Mark	Symbol and Description	Part No.		Remarks
		AWX7567	AWX7717	
	Q601 C601 R601 CN604 10P PLUG	KRC103M CKSQYB103K50 RS1/10S103J KM200TA10	Not used Not used Not used Not used	

L SP/PS ASSY

AWX7571 and AWX7721 are constructed the same except for the following :

Mark	Symbol and Description	Part No.		Remarks
		AWX7571	AWX7721	
	L3111, L3112 BEAD FILTER C3001, C3002	ATX1012 ACH7147	Not used ACH7145	

O TRANS 2-2 ASSY

AWX7565 and AWX7720 are constructed the same except for the following :

Mark	Symbol and Description	Part No.		Remarks
		AWX7565	AWX7720	
	C5501, C5502 R5501	CQMA104J50 RD1/4MUF100J	Not used Not used	

S DISPLAY ASSY

AWX7574 and AWX7614 are constructed the same except for the following :

Mark	Symbol and Description	Part No.		Remarks
		AWX7574	AWX7614	
	IC7051 Q7053 Q7054 D7054-D7057 C7053 R7056 R7057 R7058, R7061 CN7007 4P FFC CONNECTOR	TC7W53FU FM1A DTC124EK 1SS355 CKSQYB153K50 RS1/10S223J RS1/10S392J RS1/10S103J 52045-0445	Not used Not used Not used Not used Not used Not used Not used Not used Not used	

VSX-35TX, VSX-33TX

Y DSP ASSY

AWX7561 and AWX7611 are constructed the same except for the following :

Mark	Symbol and Description	Part No.		Remarks
		AWX7561	AWX7611	
	IC9103 IC9602-IC9604, IC9701-IC9705 IC9706, IC9707 Q9611, Q9612 L9105, L9106 CHIP SOLID INDUCTOR	CS4391 UPC4570G2 UPC4570G2 2SC3326 QTL1013	Not used NJM4558MD Not used Not used Not used	
	C9120 C9121, C9124 C9122 C9123, C9125 C9126	CEJA470M16 CKSRYB103K50 CCSRCH471J50 CEJA1R0M50 CKSRYB104K16	Not used Not used Not used Not used Not used	
	C9167 C9705, C9706, C9759, C9760 C9745, C9746, C9781, C9782 C9749-C9752 C9753, C9754	CKSQYF104Z50 CKSQYF104Z25 CKSRYB102K50 CCSRCH221J50 CEJA330M10	Not used Not used Not used Not used Not used	
	C9755, C9756 C9757, C9758 C9761, C9762 C9763, C9764 R9104	CKSRYB122K50 CCSRCH271J50 CEJA4R7M50 CKSRYB222K50 RS1/16S101J	Not used Not used Not used Not used RS1/16S331J	
	R9120, R9122 R9121, R9749, R9750 R9123 R9154 R9173	RS1/10S681J RS1/10S562J RS1/10S182J RS1/10S104J RS1/10S0R0J	Not used Not used Not used RS1/10S0R0J Not used	
	R9577 R9737-R9742, R9753, R9754, R9763, R9764 R9743-R9746, R9755, R9756 R9747, R9748 R9751, R9752	RS1/16S331J RS1/10S153J RS1/16S332J RS1/16S122J RS1/16S822J	Not used Not used Not used Not used Not used	
	R9757, R9758 R9759, R9760 CN9804 KR CONNECTOR JA9156 OPTICAL LINK OUT	RS1/16S474J RS1/16S101J S5B-PH-K-S GP1FA551TZ	Not used Not used Not used Not used	

PCB PARTS LIST FOR VSX-35TX/KUXJI/CA UNLESS OTHERWISE NOTED

Mark	No.	Description	Part No.	Mark	No.	Description	Part No.
A FM/AM TUNER UNIT				CAPACITORS			
SEMICONDUCTORS							
	IC201		BA1451F		C206		CCSRCH100D50
	IC202		LC72131MD		C212, C213, C226, C233-C235		CCSRCH101J50
	Q201, Q204, Q205		2SC2412K		C240		CCSRCH101J50
	Q202		DTA124ES		C231, C232		CCSRCH150J50
	Q203		DTC124EK		C223		CEAT100M50
	D201		1SS133		C229		CEAT101M10
	D202		MTZJ5.1C		C224		CEAT1R0M50
COILS AND FILTERS					C227		CEAT220M25
	L201	FM COIL	ATE7003		C241		CEAT2R2M50
	F202	FM CERAMIC FILTER	ATF-107		C243		CEAT330M16
	F201	FM CERAMIC FILTER	ATF-119		C228		CEAT3R3M50
	F203	AM CERAMIC FILTER	ATF7026		C237		CEAT470M10
					C211		CEJA1R0M50
					C210		CEJA470M16
					C204, C238, C602		CKSRYB102K50

Mark	No.	Description	Part No.
	C101,C102,C208,C220,C239 C242,C601 C216,C217,C225 C201,C205,C209,C214,C230 C236,C603		CKSRYB103K50 CKSRYB103K50 CKSRYB153K50 CKSRYB223K50 CKSRYB223K50
	C221 C202,C222 C215		CKSRYB224K10 CKSRYB473K16 CKSRYB681K50

RESISTORS

R211	RD1/4PU221J
R221	RD1/4PU222J
R233	RD1/4PU391J
R243	RS1/10S0R0J
R103	RS1/10S331J
R104	RS1/10S391J
Other Resistors	RS1/16S□□□J

OTHERS

CN201	13P FFC CONNECTOR	52044-1345
BN201	4P ANTENNA TERMINAL	AKA7003
	SHIELD CASE T	ANK7072
	SHIELD CASE B	ANK7073
X201	CRYSTAL RESONATOR	ASS1093
	(7.2MHz)	

B EX I/O ASSY (For VSX-35TX)

SEMICONDUCTORS

IC1101-IC1104	UPC4570G2
Q1151-Q1158	HN1C03F

CAPACITORS

C1114,C1125-C1132	CEAT100M50
C1109-C1113,C1115,C1116	CEAT4R7M50
C1133-C1142,C1159,C1160	CKSQYB103K50

RESISTORS

All Resistors	RS1/10S□□□J
---------------	-------------

OTHERS

CN1112,CN1162	2P PIN JACK	AKB7008
JA1113,JA1163	2P PIN JACK	AKB7046
JA1111,JA1161	4P PIN JACK	AKB7048
CN1102	5P SOCKET	AKP7066
CN1101,CN1151	9P SOCKET	AKP7068

B 5.1CH I/O ASSY (For VSX-33TX)

SEMICONDUCTORS

IC1101-IC1103	NJM4558MD
Q1151-Q1156	HN1C03F

CAPACITORS

C1114,C1125-C1130	CEAT100M50
C1109-C1113	CEAT4R7M50
C1133-C1138,C1141,C1142,C1159	CKSQYB103K50
C1160	CKSQYB103K50

RESISTORS

All Resistors	RS1/10S□□□J
---------------	-------------

Mark	No.	Description	Part No.
OTHERS			
	CN1112,CN1162	2P PIN JACK	AKB7008
	JA1111,JA1161	4P PIN JACK	AKB7048
	CN1102	5P SOCKET	AKP7066
	CN1101,CN1151	9P SOCKET	AKP7068

C INPUT ASSY

SEMICONDUCTORS

Q1001,Q1002	2SC2878
D1051	1SS133

CAPACITORS

C1019,C1021,C1051	CGCYX103M16
-------------------	-------------

RESISTORS

All Resistors	RD1/4PU□□□J
---------------	-------------

OTHERS

JA1004	2P PIN JACK	AKB7046
JA1001-JA1003	4P PIN JACK	AKB7048
JA1051	MULTI ROOM JACK	AKN7014
CN1001	14P SOCKET	KP200TA14L
CN1002	6P SOCKET	KP200TA6L

D MAIN CONTROL ASSY

SEMICONDUCTORS

IC101	M5220FP
IC104	NJM4558MD
IC901	PD5587A
IC107,IC109	TC9163AF
IC103	TC9164AF

IC102	TC9274F-001
IC108	TC9482F
IC106,IC110-IC112	UPC4570G2
Q291	2SC1740S
Q251,Q252	2SC2412K

Q902,Q905	DTA124EK
Q901	DTC143EK
D254,D255,D901-D910	1SS355
D301,D302	RB501V-40
D292	UDZ11B

D256	UDZS5.1B
------	----------

COILS

L901	LCTA2R2J3225
L991-L993	NOISE FILTER
	RTF1167

CAPACITORS

C902 (0.22F/5.5V)	ACH7132
C947-C949,C993	CCSQCH101J50
C115,C116	CCSQCH181J50
C159,C160	CCSQCH560J50
C191-C193,C941-C946,C952	CCSRCH101J50

C963,C964	CCSRCH101J50
C171,C172,C183	CCSRCH560J50
C113,C114,C131,C132	CEAT100M50
C143,C144,C155,C156	CEAT100M50
C163,C164,C167,C168	CEAT100M50

VSX-35TX, VSX-33TX

Mark	No.	Description	Part No.
	C175,C176,C179,C180		CEAT100M50
	C187,C188,C259-C261		CEAT100M50
	C135,C136		CEAT1R0M50
	C147,C148		CEAT220M50
	C903		CEAT221M10
	C125,C126,C905		CEAT2R2M50
	C921		CEAT331M10
	C117,C118		CEAT470M25
	C965		CEAT471M10
	C291		CEJA101M16
	C127,C128		CEJQ101M25
	C992		CKSQYB102K50
	C129,C130,C141,C142		CKSQYB103K50
	C161,C162,C165,C166		CKSQYB103K50
	C173,C174,C177,C178		CKSQYB103K50
	C189,C190,C901,C904,C920		CKSQYB103K50
	C299		CKSQYB104K25
	C991		CKSQYB221K50
	C298		CKSQYB223K50
	C292		CKSQYF225Z16
	C293		CKSRYB102K50
	C133,C134,C149,C150		CKSRYB103K50
	C195,C196,C257,C258,C294		CKSRYB103K50
	C911,C966,C967		CKSRYB103K50
	C184		CKSRYB333K16
	C910,C912		CKSRYB473K16
	C297,C906		CKSRYF105Z10
	C123,C124		CQMA242J50
	C121,C122		CQMA822J50

RESISTORS

R292	RS1/16S0R0J
R135,R136,R907,R918,R934	RS1/16S102J
R941-R949,R955-R957	RS1/16S102J
R165,R166,R177,R259-R262	RS1/16S103J
R912,R922,R924	RS1/16S103J
R199-R202,R257,R258,R910	RS1/16S104J
R913,R914,R932,R935	RS1/16S104J
R992,R993	RS1/16S104J
R159,R160,R171,R172	RS1/16S152J
R183,R184	RS1/16S152J
R178	RS1/16S183J
R984	RS1/16S392J
R133,R134	RS1/16S471J
R167,R168,R179,R180	RS1/16S472J
R293,R905,R906,R933	RS1/16S473J
R131,R132	RS1/16S474J
R903	RS1/16S512J
R911	RS1/16S683J
R157,R158,R169,R170	RS1/16S751J
R182	RS1/16S821J
Other Resistors	RS1/10S□□□□

OTHERS

X901	CERAMIC RESONATOR	ASS7032
	(15.7MHz)	
CN906	4P FFC CONNECTOR	52045-0445
CN102	5P FFC CONNECTOR	52045-0545
CN907	10P FFC CONNECTOR	52045-1045

Mark	No.	Description	Part No.
	CN291	13P FFC CONNECTOR	52045-1345
	CN904,CN905,CN908	20P FFC CONNECTOR	52045-2045
	CN105	22P FFC CONNECTOR	52045-2245
	CN903	32P FFC CONNECTOR	52045-3245
	J901	4P SHIELD ASSY	ADX7347
	152	6P PIN JACK	AKB7012
	CN153	4P PIN JACK	AKB7015
	CN103	9P PLUG	AKP7057
	CN107	11P PLUG	AKP7058
	CN101,CN106	15P PLUG	AKP7060
	CN901	15P SOCKET	KP200TA15L
	CN104	20P SOCKET	KP200TA20L
	CN108	4P SOCKET	KP200TA4L
	CN110	6P SOCKET	KP200TA6L
	CN902	7P SOCKET	KP200TA7L
	JA991,JA992	REMOTE CONTROL JACK	RKN1004
	101	PCB BINDER	VEF1040
	JA151	2P PIN JACK	VKB1060

E A-CONNECTION ASSY SEMICONDUCTORS

IC1551	M62429FP
IC1503	NJM4558MD
IC1501	TC9215AF
IC1502	TC9459F
D1551	UDZS5.1B

CAPACITORS

C1541-C1543,C1554,C1555	CCSQCH101J50
C1511,C1512	CCSQCH560J50
C1507,C1508,C1515,C1516	CEAT100M50
C1551-C1553	CEAT100M50
C1556,C1557	CEAT1R0M50
C1501-C1504,C1517,C1518	CKSQYB103K50

RESISTORS

R1551	RS3LMF391J
Other Resistors	RS1/10S□□□□

OTHERS

CN1505	5P PLUG	AKP7055
CN1501,CN1503	9P PLUG	AKP7057
CN1552	9P SOCKET	AKP7068
CN1502	11P SOCKET	AKP7069
CN1504,CN1551	15P SOCKET	AKP7071
CN1553	14P PLUG	KM200TA14
CN1554	6P PLUG	KM200TA6
1501	PCB BINDER	VEF1040

F COMPOSITE ASSY SEMICONDUCTORS

IC731	NJM2279M
IC701	NJM2296M
IC751	TC4W53FU
Q701	2SA933S
D701,D731	DAN202K

Mark	No.	Description	Part No.
CAPACITORS			
	C715		CCSQCH150J50
	C705-C707,C731		CCSQCH181J50
	C737		CCSQCH470J50
	C701-C704,C710-C712		CEAT101M10
	C734,C735,C781,C782		CEAT101M10
	C713		CEAT101M16
	C708,C709,C714,C732,C733		CKSQYB473K50
	C736,C785,C786,C793		CKSQYB473K50

Mark	No.	Description	Part No.
RESISTORS			
	R715		RD1/2VM201J
	Other Resistors		RS1/10S□□□J

Mark	No.	Description	Part No.
OTHERS			
	703	2P PIN JACK	AKB7017
	JA702,JA704	3P PIN JACK	AKB7056
	CN701	12P SOCKET	KP200TA12L

G S VIDEO ASSY

Mark	No.	Description	Part No.
SEMICONDUCTORS			
	IC831		BU4051BCF
	IC852		BU4053BCF
	IC801,IC802		NJM2296M
	Q852,Q853		2SA933S
	Q833,Q834		IMH11
	Q831		IMZ1A
	D801,D802		1SS355

Mark	No.	Description	Part No.
CAPACITORS			
	C857		CCSQCH100D50
	C858		CCSQCH150J50
	C854		CCSQCH151J50
	C815-C818,C861,C862		CCSQCH181J50
	C809		CCSQCH330J50
	C801,C803,C805,C807		CEAT101M10
	C819-C822,C863,C881,C882		CEAT101M10
	C866,C868		CEAT101M16
	C831-C836,C855,C856		CKSQYB103K50
	C893,C894		CKSQYB103K50
	C810-C814,C859,C864,C865		CKSQYB104K25
	C802,C804,C806,C808		CKSQYB473K50
	C823-C826,C867,C869		CKSQYB473K50

Mark	No.	Description	Part No.
RESISTORS			
	R864		RD1/2VM201J
	R859		RD1/4VM471J
	Other Resistors		RS1/10S□□□J

Mark	No.	Description	Part No.
OTHERS			
	CN802,CN803	4P MINI DIN SOCKET	AKP7020
	CN801	4P MINI DIN SOCKET	AKP7043
	CN804	11P SOCKET	KP200TA11L

H V-CONNECTION ASSY

Mark	No.	Description	Part No.
SEMICONDUCTOR			
	Q601		KRC103M

Mark	No.	Description	Part No.
CAPACITOR			
	C601		CKSQYB103K50
RESISTORS			
	All Resistors		RS1/10S□□□J
OTHERS			
	CN601	20P FFC CONNECTOR	52044-2045
	CN604	10P PLUG	KM200TA10
	CN603	11P PLUG	KM200TA11
	CN602	12P PLUG	KM200TA12

I V-AMP ASSY

Mark	No.	Description	Part No.
SEMICONDUCTORS			
	IC2201		BU4052BCF
	Q2003,Q2023,Q2043,Q2103,Q2123		2SA933S
	Q2004,Q2007,Q2024,Q2027,Q2044		2SA970
	Q2047,Q2104,Q2107,Q2124,Q2127		2SA970
	Q2252,Q2253		2SC1740S
	Q2005,Q2006,Q2025,Q2026		2SC2240
	Q2045,Q2046,Q2105,Q2106		2SC2240
	Q2125,Q2126,Q2251		2SC2240
	Q2008,Q2028,Q2048,Q2108,Q2128		2SC2878
	Q2001,Q2021,Q2041,Q2101,Q2121		FMS3
	Q2002,Q2022,Q2042,Q2102,Q2122		FMW4
	D2001,D2002,D2004,D2005		1SS355
	D2021,D2022,D2024,D2025		1SS355
	D2041,D2042,D2044,D2045		1SS355
	D2101,D2102,D2104,D2105		1SS355
	D2121,D2122,D2124,D2125		1SS355
	D2201-D2208		1SS355
	D2003,D2023,D2043,D2103,D2123		UDZS6.8B
	D2006,D2026,D2046,D2106,D2126		UDZS8.2B

Mark	No.	Description	Part No.
CAPACITORS			
	C2011,C2012,C2031,C2032		CCCSL181K2H
	C2051,C2052,C2111,C2112		CCCSL181K2H
	C2131,C2132		CCCSL181K2H
	C2009,C2029,C2049,C2109,C2129		CCCSL5R0C2H
	C2004,C2024,C2044,C2104,C2124		CCSQCH101J50
	C2002,C2022,C2042,C2102,C2122		CCSQCH221J50
	C2006,C2007,C2026,C2027		CCSQCH560J50
	C2046,C2047,C2106,C2107		CCSQCH560J50
	C2126,C2127		CCSQCH560J50
	C2001,C2021,C2041,C2101,C2121		CEAT100M50
	C2005,C2008,C2025,C2028,C2045		CEAT101M16
	C2048,C2105,C2108,C2125,C2128		CEAT101M16
	C2161,C2162		CEAT221M50
	C2252		CEAT331M10
	C2010,C2030,C2050,C2110,C2130		CEAT470M16
	C2013,C2033,C2053,C2113,C2133		CEAT470M50
	C2151-C2155		CKSQYB222K50
	C2003,C2023,C2043,C2103,C2123		CKSQYB332K50
	C2251		CKSQYF223Z50
	C2201,C2202		CKSQYF225Z16

VSX-35TX, VSX-33TX

Mark	No.	Description	Part No.
RESISTORS			
		R2018,R2038,R2058,R2118,R2138	RD1/4MUF473J
△		R2012,R2032,R2132	RS1/10S101J
△		R2013,R2014,R2033,R2034	RS1/10S121J
△		R2053,R2054,R2113,R2114	RS1/10S121J
△		R2133,R2134	RS1/10S121J

Other Resistors RS1/10S□□□J

OTHERS

CN2101	13P FFC CONNECTOR	52045-1345
CN2001	22P FFC CONNECTOR	52045-2245
CN2002	18P SOCKET	KP200TA18L

J FRONT AMP ASSY

SEMICONDUCTORS

	Q2503,Q2523,Q2543	2SA970
	Q2502,Q2522,Q2542	2SC4137
△	Q2501,Q2521,Q2541	IRF540A
△	Q2504,Q2524,Q2544	IRF9540A
	D2501-D2505,D2521-D2525	1SS133

D2541-D2545 1SS133

CAPACITORS

C2501,C2521,C2541	CEANPR22M50
C2551,C2552	CEAT330M2A

RESISTORS

△	R2512,R2532,R2552 (0.05Ω/5W×2)	ACN7097
△	R2506,R2510,R2526,R2530,R2546	RD1/4PUF391J
△	R2550	RD1/4PUF391J
△	R2501,R2511,R2521,R2531,R2541	RD1/4PUF680J
△	R2551	RD1/4PUF680J

VR2501,VR2521,VR2541 (470Ω) ACP1067
Other Resistors RD1/4PU□□□J

OTHERS

CN2501	18P PLUG	KM200TA18
--------	----------	-----------

K REAR AMP ASSY

SEMICONDUCTORS

	Q2603,Q2623	2SA970
	Q2602,Q2622	2SC4137
△	Q2601,Q2621	IRF540A
△	Q2604,Q2624	IRF9540A
	D2601-D2605,D2621-D2625	1SS133

CAPACITORS

C2601,C2621	CEANPR22M50
C2651,C2652	CEAT220M2A

RESISTORS

△	R2612,R2632 (0.05Ω/5W×2)	ACN7097
△	R2606,R2610,R2626,R2630	RD1/4PUF391J
△	R2601,R2611,R2621,R2631	RD1/4PUF680J
	VR2601,VR2621 (470Ω)	RCP1135
	Other Resistors	RD1/4PU□□□J

Mark	No.	Description	Part No.
OTHERS			
	CN2601	13P FFC CONNECTOR	52045-1345
	2602	PCB BINDER	VEF1040

L SP/PS ASSY

SEMICONDUCTORS

△	Q3302	2SA1837
△	Q3301	2SC4793
	Q3304	KRA101M
	Q3005,Q3156-Q3159	KRA103M
	Q3151-Q3155,Q3303	KRC101M

	Q3305	KRC103M
	D3051,D3053,D3055,D3057,D3060	1SS133
△	D3001,D3002	D5SBA20
	D3309,D3310	MTZJ13C
	D3313	MTZJ16B

△	D3305-D3308	MTZJ18C
	D3301-D3304,D3311,D3312	S5688G

COILS

L3101-L3105	AF CHOKE COIL	ATH1053
L3111,L3112	BEAD FILTER	ATX1012

RELAYS

RY3101-RY3105	ASR7026
---------------	---------

CAPACITORS

C3001,C3002 (22000μF/56V)	ACH7147
C3305,C3306	CEAT101M50
C3307,C3308	CEAT221M50
C3118	CEAT470M50
C3303,C3304	CEAT471M63

C3101-C3105	CFTYA104J50
C3111-C3117	CQHA102J2A

RESISTORS

R3151-R3155	RD1/2PM471J	
△	R3305,R3306	RD1/4PMF332J
	R3001,R3002	RD1/4PMF473J
△	R3101-R3105	RD1/4PMF4R7J
△	R3106-R3110	RS1LMF4R7J

△	R3131,R3132	RS2LMF331J
	Other Resistors	RD1/4PU□□□J

OTHERS

3001	6P CABLE HOLDER	51048-0600
3004	8P CABLE HOLDER	51048-0800
CN3003	14P FFC CONNECTOR	52045-1445
CN3101	8P SPEAKER TERMINAL	AKE7058
CN3102	6P SPEAKER TERMINAL	AKE7060

3013,3014,3303,3304	SCREW	BBZ30P080FZK
CN3005,CN3010	4P PLUG	KM200TA4

Mark	No.	Description	Part No.
M		TRANS 2-1 ASSY	
SEMICONDUCTORS			
△		IC4501,IC4502 (5A)	AEK7019
CAPACITOR			
		C4502	CQMA333K2E
RESISTOR			
		R4502	RFA1/4PS220J
OTHERS			
	4001	6P CABLE HOLDER	51048-0600
	H4501-H4504	FUSE HOLDER	AKR7001

Mark	No.	Description	Part No.
N		REGULATOR ASSY	
SEMICONDUCTORS			
△		IC5009,IC5010 (200mA)	AEK7023
△		IC5004,IC5008	NJM78M05FA
△		IC5003	NJM78M12FA
△		IC5001	NJM78M15FA
△		IC5005,IC5007	NJM78M56FA
△		IC5006	NJM79M05FA
△		IC5002	NJM79M15FA
		D5010	1SS355
△		D5005,D5009	D3SBA20(B)
△		D5012	MTZJ6.2B
△		D5001-D5004	S5566G(TPB2)
		D5011	UDZS5.1B
CAPACITORS			
		C5015,C5017	CEAT101M10
		C5013,C5025	CEAT101M25
		C5021	CEAT221M10
		C5001,C5003,C5006	CEAT222M25
		C5002,C5004	CEAT222M35
		C5019	CEAT331M10
		C5005	CEAT332M25
		C5024	CEAT470M50
		C5023	CEAT471M10
		C5009,C5011	CEAT471M25
		C5007	CEAT472M16
		C5034	CKSQYB102K50
		C5008,C5010,C5012,C5014,C5016	CKSQYB103K50
		C5018,C5020,C5022,C5031,C5035	CKSQYB103K50
		C5030	CQMA104J50
RESISTORS			
		R5005	RD1/2VM1R0J
		Other Resistors	RS1/10S□□□J
OTHERS			
	5010	4P CABLE HOLDER	51048-0400
	CN5002	14P FFC CONNECTOR	52045-1445
	CN5001	8P FFC CONNECTOR	52147-0810
	CN5005	15P PLUG	KM200TA15
	CN5004,CN5009	20P PLUG	KM200TA20
	CN5007,CN5010	4P PLUG	KM200TA4
	CN5003	6P PLUG	KM200TA6
	CN5008	7P PLUG	KM200TA7
	CN5006	9P PLUG	KM200TA9
	KN5002	EARTH METAL FITTING	VNF1084

Mark	No.	Description	Part No.
O		TRANS 2-2 ASSY	
SEMICONDUCTOR			
△		IC5501 (5A)	AEK7019
CAPACITORS			
△		C5501,C5502	CQMA104J50
RESISTOR			
△		R5501	RD1/4MUF100J
OTHERS			
	5501	4P CABLE HOLDER	51048-0400

Mark	No.	Description	Part No.
Q		PRIMARY ASSY	
SEMICONDUCTORS			
△		IC6001	NJM78M56FA
		Q6001	KRC101M
		D6005-D6007	1SS355
△		D6001	S1WB(A)60SD
		D6008	UDZS5.1B
COILS			
△	L6001	LINE FILTER	ATF7018
	L6003,L6004	BEAD FILTER	ATX1012
TRANSFORMER			
△	T6001		ATT7043
RELAY			
△	RY6001		ASR7025
CAPACITORS			
△	C6002 (0.01μF/AC275V)		ACE7013
△	C6003 (10000pF/AC250V)		ACG7033
	C6005		CEAT102M25
	C6006		CEAT221M25
	C6015		CQMA104J50
RESISTORS			
△	R6001 (2.2MΩ, 1/2W)		RCN1080
	R6003		RD1/2VM101J
	Other Resistors		RS1/10S□□□J
OTHERS			
	6004	AC SOCKET	AKP7136
	H6001,H6002	FUSE CLIP	AKR7001
	CN6003,CN6004	4P SOCKET	KP200TA4L
△	CN6002	AC CORD SOCKET	RKP1751
	6003	SCREW TERMINAL	VNE1948

Mark	No.	Description	Part No.
R		COMPONENT ASSY	
SEMICONDUCTORS			
		IC551	LC74782M-9011
		IC501	TC74HC4053AF
		IC502,IC503	TK15420M
		Q551	DTC124EK
		D551,D552	1SS355

VSX-35TX, VSX-33TX

Mark	No.	Description	Part No.
COILS			
	L552,L553 L551		LCTA100J3225 LCTA330J3225
CAPACITORS			
	C551,C559 C555 C556 C557,C558 C513-C515		CCSQCH101J50 CCSQCH150J50 CCSQCH180J50 CCSQCH240J50 CCSQCH470J50
	C501-C504,C507,C508,C552 C562,C563 C505,C506,C509-C512,C518 C553,C554,C560,C561		CEAT101M10 CEAT101M10 CKSQYB103K50 CKSQYB473K50
RESISTORS			
	All Resistors		RS1/10S□□□J
OTHERS			
	X551	CRYSTAL RESONATOR (14.31818MHz)	ASS1056
	JA501-JA503 CN501	3P PIN JACK 10P SOCKET	AKB7124 KP200TA10L
S DISPLAY ASSY			
SEMICONDUCTORS			
	IC7001 IC7051 Q7051 Q7001,Q7052,Q7054 Q7053		PD5588A TC7W53FU 2SA1037K DTC124EK FMA1A
	D7051-D7057 D7009,D7010		1SS355 DAN202K
COIL			
	L7001		LFA2R2J
SWITCHES			
	S7001-S7003,S7007-S7023 S7025-S7027,S7031-S7035		ASG7013 ASG7013
CAPACITORS			
	C7010 (0.22μF/5.5V) C7007,C7092,C7093 C7701,C7702 C7008,C7013,C7052 C7001-C7006,C7091		ACH7132 CCSQCH101J50 CEAT100M50 CEJA101M6R3 CKSQYB102K50
	C7051 C7053 C7009		CKSQYB103K50 CKSQYB153K50 CKSQYB473K50
RESISTORS			
	R7044 Other Resistors		RA15T104J RS1/10S□□□J
OTHERS			
	X7001	CERAMIC RESONATOR (7.2MHz)	ASS7018
	7006 7003 CN7007	3P CABLE HOLDER 4P CABLE HOLDER 4P FFC CONNECTOR	51048-0300 51048-0400 52045-0445

Mark	No.	Description	Part No.
	CN7005 CN7002 CN7004 CN7001 V7001	5P FFC CONNECTOR 7P FFC CONNECTOR 8P FFC CONNECTOR 32P FFC CONNECTOR FL TUBE	52045-0545 52045-0745 52045-0845 52045-3245 AAV7076
	7010	FL HOLDER	VNF1085

T VOLUME-CONT ASSY

Mark	No.	Description	Part No.
SWITCHES			
	S7103,S7104 S7101 S7102		ASG7013 ASX7004 ASX7036
CAPACITORS			
	C7101-C7104		CKSQYB103K50
RESISTORS			
	All Resistors		RS1/10S□□□J
OTHERS			
	CN7101 KN7101	7P FFC CONNECTOR EARTH METAL FITTING	52045-0745 VNF1084

Mark	No.	Description	Part No.
CAPACITORS			
	C7101-C7104		CKSQYB103K50

Mark	No.	Description	Part No.
RESISTORS			
	All Resistors		RS1/10S□□□J

Mark	No.	Description	Part No.
OTHERS			
	CN7101 KN7101	7P FFC CONNECTOR EARTH METAL FITTING	52045-0745 VNF1084

U HEADPHONE ASSY

Mark	No.	Description	Part No.
CAPACITORS			
	C7304 C7301,C7302		CKSQYB103K50 CKSQYB392K50
RESISTORS			
	All Resistors		RS1/10S□□□J
OTHERS			
	7301 JA7301 KN7301	4P CABLE HOLDER HEADPHONE JACK EARTH METAL FITTING	51048-0400 RKB1014 VNF1084

Mark	No.	Description	Part No.
RESISTORS			
	All Resistors		RS1/10S□□□J

Mark	No.	Description	Part No.
OTHERS			
	7301 JA7301 KN7301	4P CABLE HOLDER HEADPHONE JACK EARTH METAL FITTING	51048-0400 RKB1014 VNF1084

V FRONT AV ASSY

Mark	No.	Description	Part No.
SEMICONDUCTORS			
	Q7201,Q7202		2SC2412K
CAPACITORS			
	C7203,C7204 C7201,C7202,C7215,C7216 C7208,C7209 C7207 C7220		CCSQCH101J50 CCSQCH271J50 CEJA101M10 CEJA1R0M50 CKSQYB102K50
	C7210,C7217-C7219 C7211 C7213,C7214		CKSQYB103K50 CKSQYB104K25 CKSQYB105K10

Mark	No.	Description	Part No.
CAPACITORS			
	C7203,C7204 C7201,C7202,C7215,C7216 C7208,C7209 C7207 C7220		CCSQCH101J50 CCSQCH271J50 CEJA101M10 CEJA1R0M50 CKSQYB102K50
	C7210,C7217-C7219 C7211 C7213,C7214		CKSQYB103K50 CKSQYB104K25 CKSQYB105K10

Mark	No.	Description	Part No.
RESISTORS			
	All Resistors		RS1/10S□□□J
OTHERS			
	CN7201 JA7202	8P FFC CONNECTOR FRONT PIN JACK 4P	52044-0845 AKX7014

Mark	No.	Description	Part No.
RESISTORS			
	All Resistors		RS1/10S□□□J

Mark	No.	Description	Part No.
OTHERS			
	CN7201 JA7202	8P FFC CONNECTOR FRONT PIN JACK 4P	52044-0845 AKX7014

Mark	No.	Description	Part No.
W	STAND BY ASSY		
	SEMICONDUCTOR		
	D7501		SLR-343VR(MNP)
SWITCH	S7501		ASG7013
	OTHERS		
	7501	3P CABLE HOLDER	51048-0300

X	FRONT DIGIN ASSY		
	CAPACITOR		
	C7601		CKSQYF104Z50
RESISTORS	All Resistors		
			RS1/10S□□□□J
OTHERS	JA7601	OPTICAL LINK IN	GP1FA551RZ
	CN7601	KR CONNECTOR	S5B-PH-K-S
	KN7601	EARTH METAL FITTING	VNF1084

Y	DSP ASSY		
	SEMICONDUCTORS		
	IC9101		AK4112AVF
	IC9102		AK4527VQ
	IC9551		AK7706VT
	IC9103		CS4391
	IC9501		CS493292
	IC9201,IC9202		NJM2100M
	IC9504		PDN030A
	IC9811		PQ20WZ51
	IC9812		PQ7VZ5
	IC9552		TC551001CFT-70L
	IC9151		TC74ACT151F
	IC9152		TC74HCU04AF
	IC9505		TC74LVX244FT
	IC9502,IC9503		TC74VHC574F
	IC9506		TC74VHCT244AFT
	IC9507		TC7WU04FU
	IC9601		TC9164AF
	IC9602-IC9604,IC9701-IC9707		UPC4570G2
	Q9201,Q9202,Q9601-Q9606		2SC3326
	Q9611,Q9612		2SC3326
	Q9102,Q9104,Q9203,Q9607		DTA124EK
	Q9609,Q9610		DTA124EK
	Q9101,Q9103,Q9204,Q9608		DTC124EK
	D9601,D9602		1SS181

Mark	No.	Description	Part No.
COILS AND FILTERS			
	L9501,L9551,L9801,L9802,L9807	CHIP FERRITE BEAD	ATL7002
	L9809,L9811,L9812	CHIP FERRITE BEAD	ATL7002
	F9151-F9153	CHIP BEAD	DTF1064
	L9101-L9107,L9502,L9503	CHIP SOLID INDUCTOR	QTL1013
	L9506,L9507,L9552	CHIP SOLID INDUCTOR	QTL1013

CAPACITORS			
	C9135		CCSQCH101J50
	C9809		CCSQCH221J50
	C9159,C9161		CCSQCH470J50
	C9154,C9156,C9518,C9564		CCSQCH471J50
	C9510,C9511		CCSRCH100D50
	C9609,C9610,C9721,C9722,C9735		CCSRCH101J50
	C9107		CCSRCH150J50
	C9106		CCSRCH180J50
	C9621,C9622,C9749-C9752		CCSRCH221J50
	C9509,C9629,C9757,C9758		CCSRCH271J50
	C9101,C9104,C9112,C9115,C9119		CCSRCH471J50
	C9122,C9503,C9505,C9507,C9513		CCSRCH471J50
	C9515,C9520,C9522,C9525,C9528		CCSRCH471J50
	C9553,C9555,C9557,C9559,C9561		CCSRCH471J50
	C9617,C9618,C9639		CCSRCH471J50
	C9201,C9202		CCSRCH560J50
	C9707,C9708		CCSRCH820J50
	C9611,C9612,C9736		CCSRCH821J50
	C9113		CEAT221M10
	C9523,C9526,C9643,C9644,C9770		CEJA100M25
	C9501,C9516,C9551,C9740		CEJA101M10
	C9801,C9802,C9812,C9814		CEJA101M10
	C9123,C9125		CEJA1R0M50
	C9127,C9529		CEJA2R2M50
	C9713,C9714,C9727,C9728,C9739		CEJA330M10
	C9753,C9754,C9765-C9769		CEJA330M10
	C9102,C9108,C9117,C9120		CEJA470M16
	C9151,C9152,C9162,C9562		CEJA470M16
	C9803,C9805		CEJA470M25
	C9203,C9204,C9206,C9207		CEJA4R7M50
	C9603,C9604,C9615,C9616		CEJA4R7M50
	C9627,C9628,C9761,C9762,C9811		CEJA4R7M50
	C9813		CEJA4R7M50
	C9110		CEJAR47M50
	C9815		CKSQYB102K50
	C9134,C9153,C9155,C9157,C9160		CKSQYB103K50
	C9517,C9563,C9816		CKSQYB103K50
	C9607,C9608,C9619,C9620		CKSQYF104Z25
	C9631,C9632,C9705,C9706		CKSQYF104Z25
	C9709-C9712,C9723-C9726		CKSQYF104Z25
	C9737,C9738,C9759,C9760,C9810		CKSQYF104Z25
	C9163-C9167		CKSQYF104Z50
	C9745,C9746,C9781,C9782		CKSRYB102K50
	C9103,C9105,C9118,C9121,C9124		CKSRYB103K50
	C9133,C9158,C9502,C9504,C9506		CKSRYB103K50
	C9508,C9512,C9514,C9519,C9521		CKSRYB103K50
	C9524,C9527,C9531,C9552,C9554		CKSRYB103K50
	C9556,C9558,C9560,C9572		CKSRYB103K50
	C9636,C9637		CKSRYB103K50
	C9109,C9114,C9116,C9126,C9626		CKSRYB104K16

VSX-35TX, VSX-33TX

Mark	No.	Description	Part No.
	C9605,C9606,C9633,C9755,C9756 C9211,C9212 C9703,C9704,C9715,C9716,C9729 C9601,C9602,C9613,C9614,C9625 C9763,C9764		CKSRYB122K50 CKSRYB152K50 CKSRYB182K50 CKSRYB222K50 CKSRYB222K50
	C9701,C9702 C9732 C9645 C9111 C9717,C9718,C9731		CKSRYB272K50 CKSRYB333K16 CKSRYB472K50 CKSRYB682K50 CKSRYB821K50
	C9205,C9208-C9210 C9730		CKSRYF104Z25 CKSRYF104Z50

RESISTORS

R9153,R9172,R9173,R9175,R9812 R9815 R9159,R9162,R9169-R9171 R9165-R9167 R9561,R9563-R9570,R9584	RS1/10S0R0J RS1/10S0R0J RS1/10S101J RS1/10S102J RS1/10S103J
R9151,R9152,R9154-R9156 R9814,R9816 R9123 R9101 R9813	RS1/10S104J RS1/10S122J RS1/10S182J RS1/10S183J RS1/10S202J
R9161,R9168 R9588,R9589 R9552,R9553,R9562 R9160,R9164 R9811	RS1/10S222J RS1/10S331J RS1/10S472J RS1/10S473J RS1/10S511J
R9121 R9120,R9122 R9158,R9163 Other Resistors	RS1/10S562J RS1/10S681J RS1/10S750J RS1/16S□□□J

OTHERS

X9101	CRYSTAL RESONATOR (24MHz)	ASS7025
X9501	CHIP CRYSTAL (27MHz)	VSS1086
CN9805,CN9806	20P FFC CONNECTOR	52044-2045
JA9151	2P PIN JACK	AKB7131
JA9153,JA9154	OPTICAL LINK IN	GP1FA551RZ
JA9155,JA9156	OPTICAL LINK OUT	GP1FA551TZ
CN9801	20P SOCKET	KP200TA20L
CN9803	4P SOCKET	KP200TA4L
CN9802	9P SOCKET	KP200TA9L
CN9804	KR CONNECTOR	S5B-PH-K-S

6. ADJUSTMENT

■ IDLE CURRENT ADJUSTMENT

- **CAUTION** : Do not turn around the adjustment Variable resistors (VRs) fast !
If you go over the adjustment specification value too much. MOS-FET may be broken.

Steps

1. Decrease the level of the Adjustment Variable resistors (VR) for the channel to be adjusted. (Turn counterclockwise.)
2. Set the power switch to ON.
3. First adjustment : Adjust VRs in following the step in table 1 and table 2.
4. Second adjustment : Adjust VRs in following the step in table 1 and table 2 that depends on aging time.

Table 1

Step No.	Adjustment Channel	Adjustment Point	Measurement Point
①	SL ch	VR2601	Between W441 and W443
②	SR ch	VR2621	Between W432 and W433
③	FL ch	VR2501	Between two terminal of 2511
④	C ch	VR2541	Between two terminal of 2551
⑤	FR ch	VR2521	Between two terminal of 2531

Table 2

	Adjustment Time	Adjustment Value
First adjustment	00 : 00 - 01 : 30	16.6mV ± 10% (16.6mV ± 1.6mV)
Second adjustment	07 : 00 - 08 : 59	8.2mV ± 10% (8.2mV ± 0.8mV)
	09 : 00 - 11 : 59	7.5mV ± 0.5mV
	12 : 00 - 14 : 59	7.0mV ± 0.5mV
	15 : 00 -	7.0mV ± 0.5mV

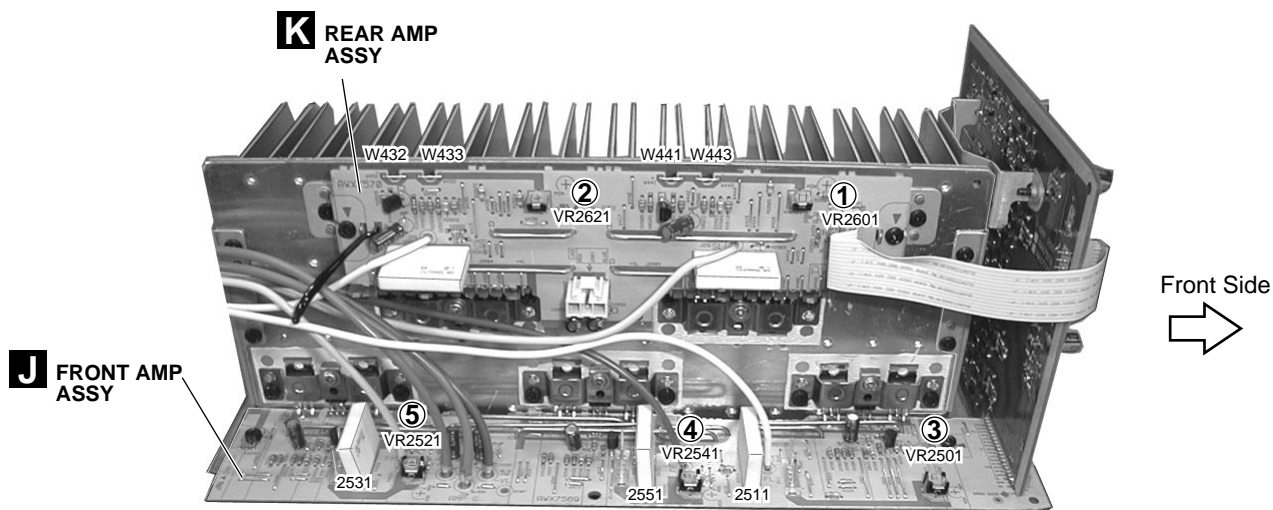
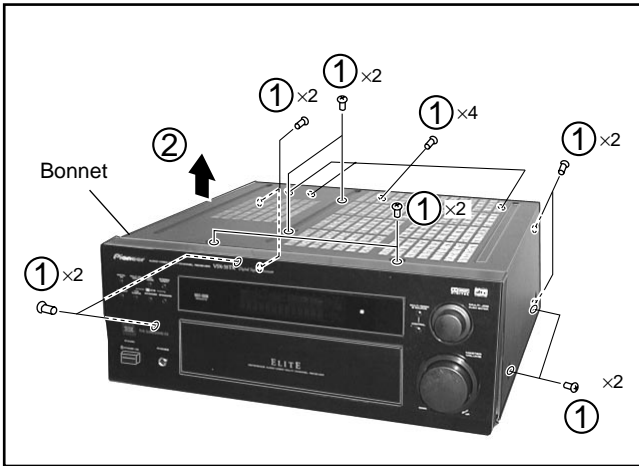


Fig.1 Adjustment Points

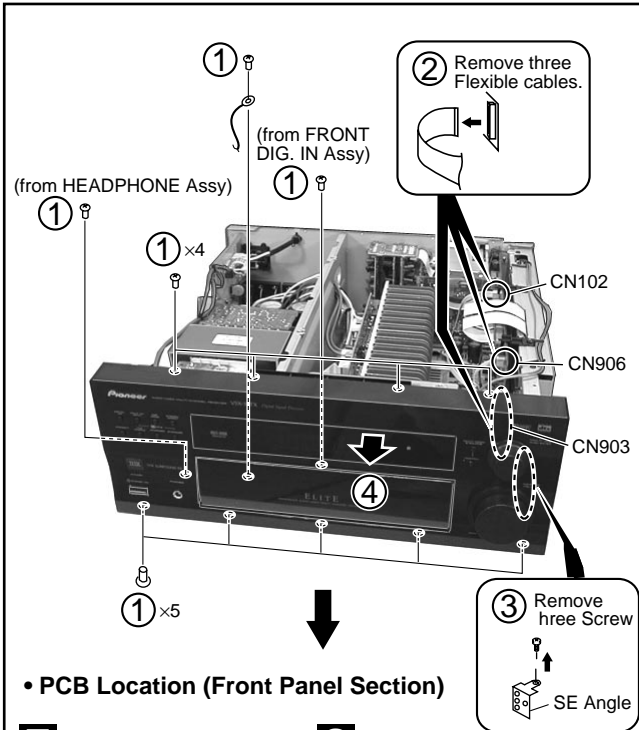
7. GENERAL INFORMATION

7.1 DISASSEMBLY

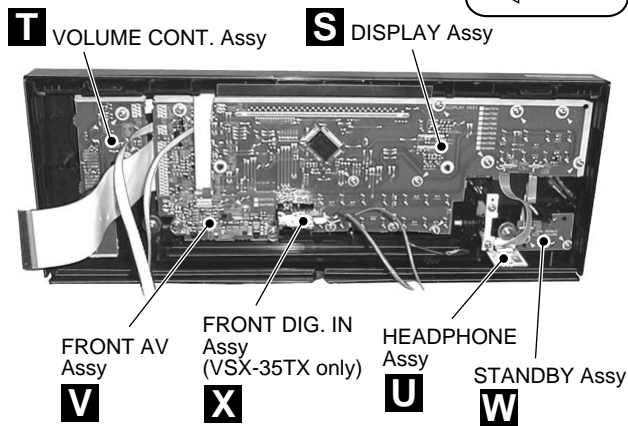
■ Bonnet



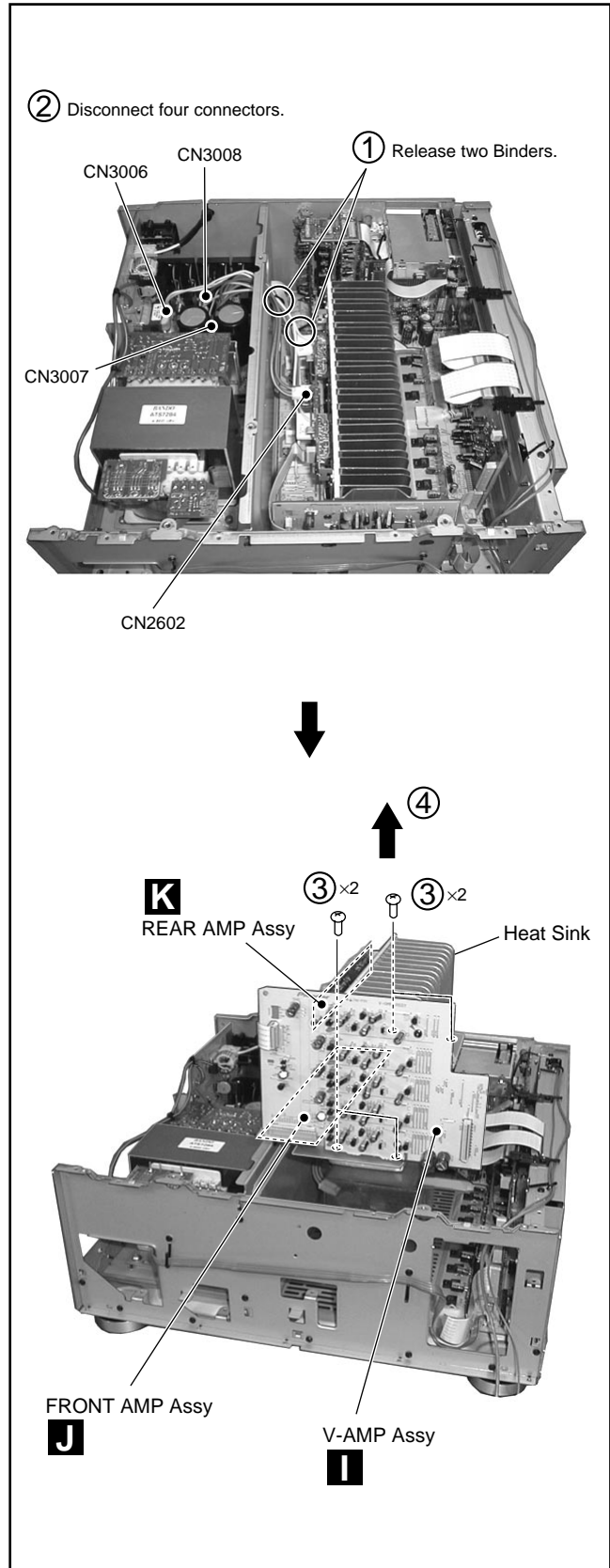
■ Front Panel Section



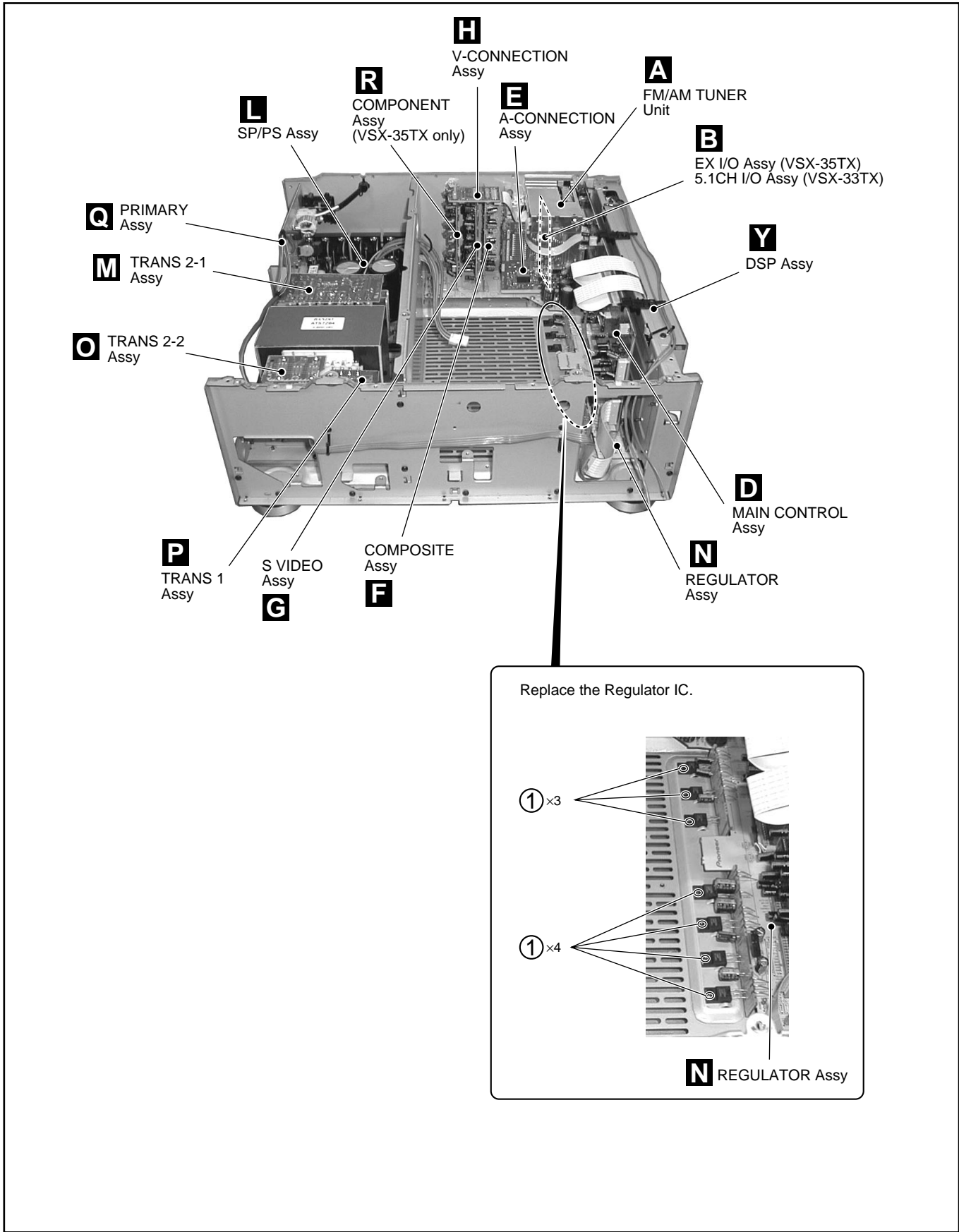
• PCB Location (Front Panel Section)



■ Heat Sink Section



PCB Location



● Pin Function

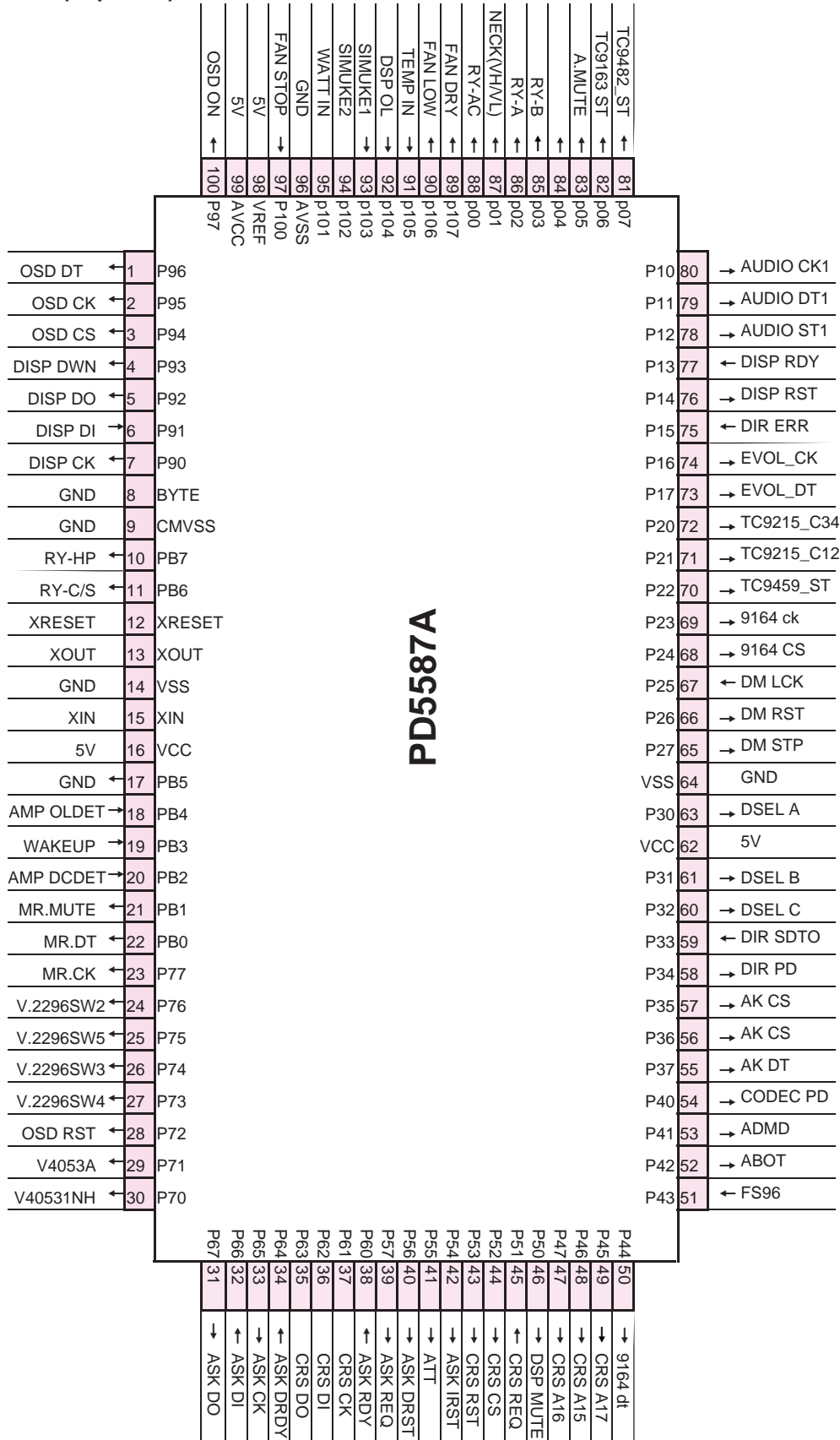
No.	Pin Name	I/O	Function	No.	Pin Name	I/O	Function
1	KEY 1	I	Key scan input 1	51	G7	O	Grid output 7
2	KEY 2	I	Key scan input 2	52	G8	O	Grid output 8
3	KEY 3	I	Key scan input 3	53	G9	O	Grid output 9
4	KEY 4	I	Key scan input 4	54	G10	O	Grid output 10
5	KEY 5	I	Key scan input 5	55	G11	O	Grid output 11
6	KEY 6	I	Key scan input 6	56	G12	O	Grid output 12
7	NC	O	Open	57	G13	O	Grid output 13
8	NC	O	Open	58	G14	O	Grid output 14
9	NC	O	Open	59	G15	O	Grid output 15
10	2279 SW1	O	Control for NJM2279	60	G16	O	Grid output 16
11	2279 SW2	O	Control for NJM2279	61	S1	O	Segment output 1
12	T-POW	O	Tuner power down	62	S2	O	Segment output 2
13	T-CK	O	Clock for tuner module	63	S3	O	Segment output 3
14	T-DO	I	Data from tuner module	64	S4	O	Segment output 4
15	T-DI	O	Data for tuner module	65	S5	O	Segment output 5
16	T-CE	O	Chip enable for tuner module	66	S6	O	Segment output 6
17	NC	I	Open	67	S7	O	Segment output 7
18	DISP RDY	O	Data request for IC901 MAIN U-COM	68	S8	O	Segment output 8
19	DISP PD	O	Display u-com power down	69	S9	O	Segment output 9
20	DISP CK	I	Clock from IC901 MAIN U-COM	70	S10	O	Segment output 10
21	DISP DO	O	Data for IC901 MAIN U-COM	71	S11	O	Segment output 11
22	DISP DI	I	Data from IC901 MAIN U-COM	72	S12	O	Segment output 12
23	NC	O	Open	73	S13	O	Segment output 13
24	TUNED	I	Tuned data from tuner module	74	S14	O	Segment output 14
25	STEREO	I	Stereo tuned data from tuner module	75	S15	O	Segment output 15
26	T-MUTE	O	Tuner mute ON/OFF	76	S16	O	Segment output 16
27	RDS FM+	-	VDD for IC7401 BU1923 (RDS model only)	77	S17	O	Segment output 17
28	RDS DAT	O	Data for IC7401 BU1923 (RDS model only)	78	S18	O	Segment output 18
29	NC	I	(pull-up)	79	S19	O	Segment output 19
30	RDS CLK	I	Clock for IC7401 BU1923 (RDS model only)	80	S20	O	Segment output 20
31	MR IN	I	Sub room remote control (MR&S, MR model only)	81	S21	O	Segment output 21
32	RMC IN	I	Remote control	82	S22	O	Segment output 22
33	HP-SW	I	Headphone connect detect	83	S23	O	Segment output 23
34	CHECKER	I	For unit check test mode detection	84	S24	O	Segment output 24
35	COM-RESET	I	Reset	85	S25	O	Segment output 25
36	LED	O	Standby LED	86	S26	O	Segment output 26
37	XANTECH	O	XANTECH ON/OFF	87	S27	O	Segment output 27
38	XIN	-	Connect a 7.2MHz oscillator	88	S28	O	Segment output 28
39	XOUT	-		89	S29	O	Segment output 29
40	VSS	-	GND	90	S30	O	Segment output 30
41	VOL+	I	Rotary encoder signal +	91	VDD	-	Power supply +5V
42	VOL-	I	Rotary encoder signal -	92	S31	O	Segment output 31
43	FUNC/R	I	Rotary encoder signal R	93	S32	O	Segment output 32
44	FUNC/L	I	Rotary encoder signal L	94	S33	O	Segment output 33
45	G1	O	Grid output 1	95	S34	O	Segment output 34
46	G2	O	Grid output 2	96	S35	O	Segment output 35
47	G3	O	Grid output 3	97	S36	O	Segment output 36
48	G4	O	Grid output 4	98	VEE	-	Power supply 5V
49	G5	O	Grid output 5	99	AVSS	-	GND
50	G6	O	Grid output 6	100	VREF	-	Reference voltage 5V

VSX-35TX, VSX-33TX

■ PD5587A (MAIN CONTROL ASSY : IC901)

• Main Control IC

• Pin Assignment (Top View)



● Pin Function

No.	Pin Name	I/O	Function	No.	Pin Name	I/O	Function
1	OSD DT	O	Data for IC752 LC74782M-9011	41	ATT	O	Audio attenuator
2	OSD CK	O	Clock for IC752 LC74782M-9011	42	ASK IRST	O	for AK7706 Hard reset
3	OSD CS	O	Chip select for IC752 LC74782M-9011	43	CRS RST	O	Reset for CS49329
4	DISP DWN	O	Reset for IC9501 DSP U-COM	44	CRS CS	O	Chip select for CS49329
5	DISP DO	I	Data from IC7001 DISP U-COM	45	CRS REQ	I	Data for CS49329
6	DISP DI	O	Data for IC7001 DISP U-COM	46	DSP MUTE	O	Mute request from DSP U-COM
7	DISP CK	O	Clock for IC7001 DISP U-COM	47	CRS A16	O	Control for PDN030A
8	GND	–	GND	48	CRS A15	O	Control for PDN030A
9	GND	–	GND	49	CRS A17	O	Control for PDN030A
10	RY-HP	O	Headphone relay ON/OFF	50	9164DT	O	Data from TC9164
11	RY-C/S	O	SP C/S relay ON/OFF	51	FS96	I	96k Hz detect
12	XRESET	I	Reset	52	ABOT	O	Boot signal
13	XOUT	O	Connect a 4.19MHz oscillator	53	ADMD	O	Audio preout mute ON/OFF
14	GND	–		54	CODEC PD	O	CODEC Power down
15	XIN	I		55	AK DT	O	Data from CODEC
16	VDD	–	Power supply +5V	56	AK CK	O	Control for CODEC
17	GND	–	GND	57	AK CS	O	Chip select for CODEC
18	AMP OLDET	O	Amp Overload detect	58	DIR PD	O	DIR Power down
19	WAKEUP	I	AC pulse input	59	DIR SDTO	O	DIR data for output
20	AMP DCDET	O	Amp D.C. detect	60	DSEL C	O	Control for TC74ACT151F
21	MR MUTE	O	Audio mute ON/OFF for sub room (MR&S, MR model only)	61	DSEL B	O	Control for TC74ACT151F
22	MR-V DT	O	Data for IC110 M62429FP control (MR&S model only)	62	Vdd	–	Power supply +5V
23	MR-V CK	O	Clock for IC110 M62429FP control (MR&S model only)	63	DSEL A	O	Control for TC74ACT151F
24	V.2296SW2	O	Control for IC701, 801, 802 NJM2296M	64	GND	–	GND
25	V.2296SW5	O	Control for IC701, 801, 802 NJM2296M	65	DM STP	O	Data for Demodureter
26	V.2296SW3	O	Control for IC701, 801, 802 NJM2296M	66	DM RST	O	Reset for Demodureter
27	V.2296SW4	O	Control for IC701, 801, 802 NJM2296M	67	DM LCK	O	Clock for Demodureter
28	OSD RST	O	Reset for IC752 LC74782M-9011	68	9164 CS	O	Chip select for TC9164
29	V4053A	O	Control for TC74HC4053 (Nch Open Drain)	69	9164 CK	O	Clock for TC9164
30	V4053INH	O	Inhibit for TC74HC4053 (Nch Open Drain)	70	TC4959_ST	O	Strobe for TC4959
31	ASK DO	I	Data from AK7706	71	TC9215_C-12	O	Control for TC9215
32	ASK DI	O	Data for AK7706 Input signal	72	TC9215_C-34	O	Control for TC9215
33	ASK CK	O	Clock for AK7706	73	EVOL_DT	O	Data for Electr Volume
34	ASK DRDY	O	Data ready from AK7706	74	EVOL_CK	O	Clock for Electr Volume
35	CRS DO	I	Data from CS49329	75	DIR ERR	I	DIR Error detect
36	CRS DI	O	Data for CS49329 Input signal	76	DISP RST	O	Reset for IC7001 DISP U-COM
37	CRS CK	O	Clock for CS49329	77	DISP RDY	I	Data request from IC7001 DISP U-COM
38	ASK RDY	I	Data request from AK7706	78	AUDIO ST1	O	Strobe for TC9274F,TC9164,TC9163
39	ASK REQ	O	Chip select for AK7706	79	AUDIO DT1	O	Data for TC9274F,TC9164,TC9163
40	ASK DRST	O	for AK7706 Soft reset	80	AUDIO CK1	O	Clock for TC9274F,TC9164,TC9163

VSX-35TX, VSX-33TX

● Pin Function

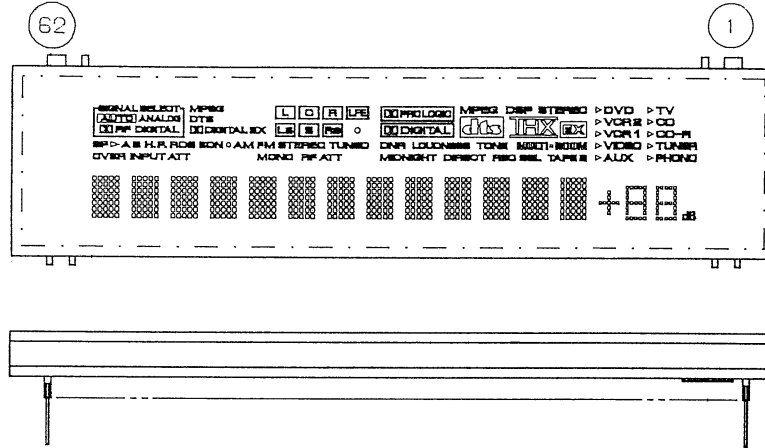
No.	Pin Name	I/O	Function	No.	Pin Name	I/O	Function
81	TC9482ST	O	Strobe for IC108 TC9482N control	91	TEMP IN	O	O/open (KU,J,SD), I/Fan temperature A/D input (other)
82	TC9163ST	O	Strobe for IC107 TC9163F control	92	DSP OL	I	DSP overload detect, A/D input
83	A MUTE	O	Audio mute ON/OFF	93	SIMUKE 1	I	SIMUKE (pull-up or down)
84	NC	O	Open	94	SIMUKE 2	I	SIMUKE (pull-up or down)
85	RY-B	O	SP B relay ON/OFF	95	WATT IN	I/O	O/Open (KU,J,SD), I/Fan wattage input, A/D input (other)
86	RY-A	O	SP A relay ON/OFF	96	GND	-	GND
87	NECK(VH/-VL)	O	Neck ON/OFF (24,26,908,938 only)	97	FAN STOP	I/O	O/Open (KU,J,SD), I/Fan stop detector (other)
88	RY-AC	O	AC relay ON/OFF	98	5V	-	Power supply +5V
89	FAN DRIVE	O	Open (KU,J,SD), Fan drive (other)	99	5V	-	Power supply +5V
90	FAN LOW	O	Open (KU,J,SD), Fan low (other)	100	OSD ON	O	Control for IC102 BU4053BCF, TC4W53FU (MR&S model only)

7.2.2 DISPLAY

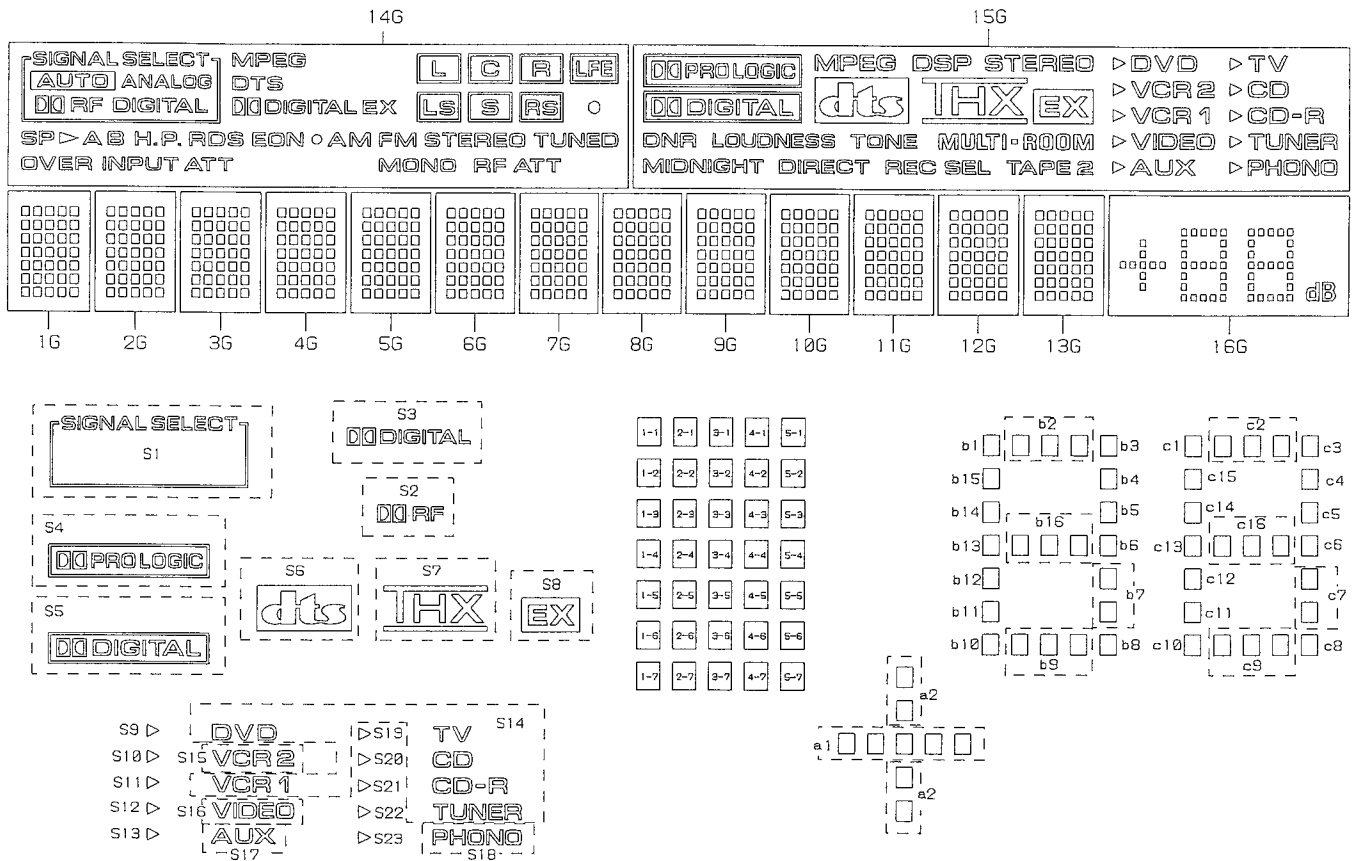
■ AAV7076 (DISPLAY ASSY :V7001)

- FL Indicator Tube

• Pin Assignment



• Grid Assignment

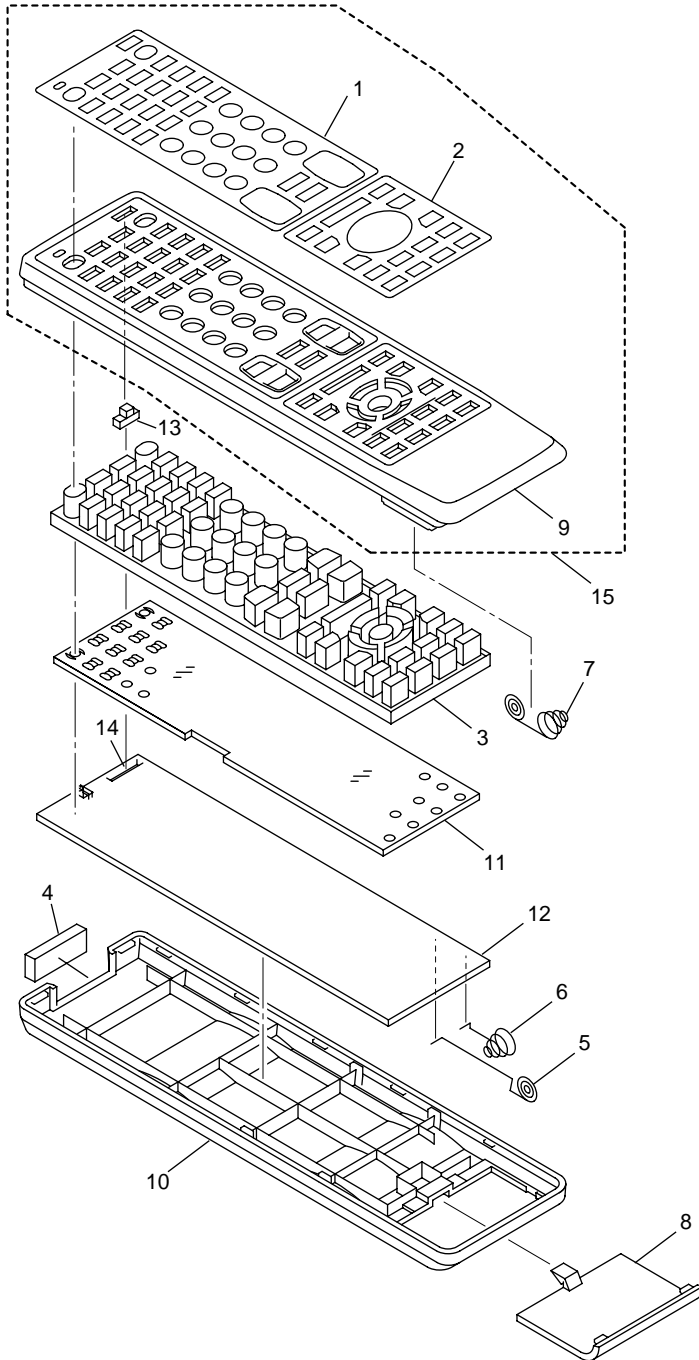


7.3 REMOTE CONTROL UNIT

7.3.1 AXD7266 (Remote Control 35)

7.3.1.1 EXPLODED VIEWS AND PARTS LIST

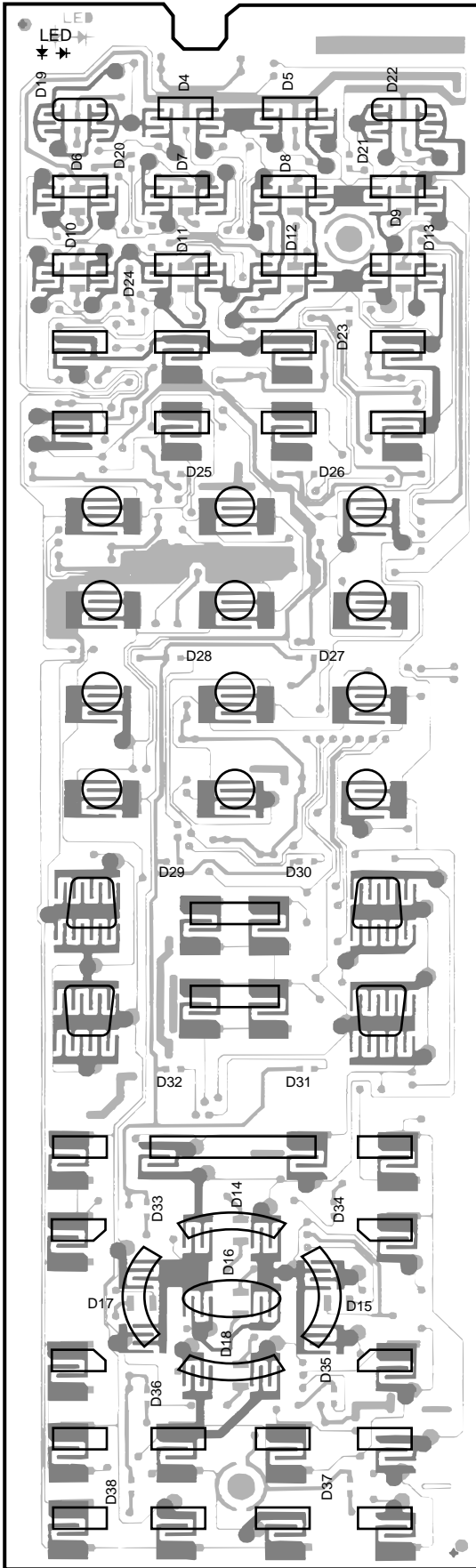
- NOTES:
- Parts marked by "NSP" are generally unavailable because they are not in our Master Spare Parts List.
 - The Δ mark found on some component parts indicates the importance of the safety factor of the part. Therefore, when replacing, be sure to use parts of identical designation.
 - Screws adjacent to \blacktriangledown mark on the product are used for disassembly.



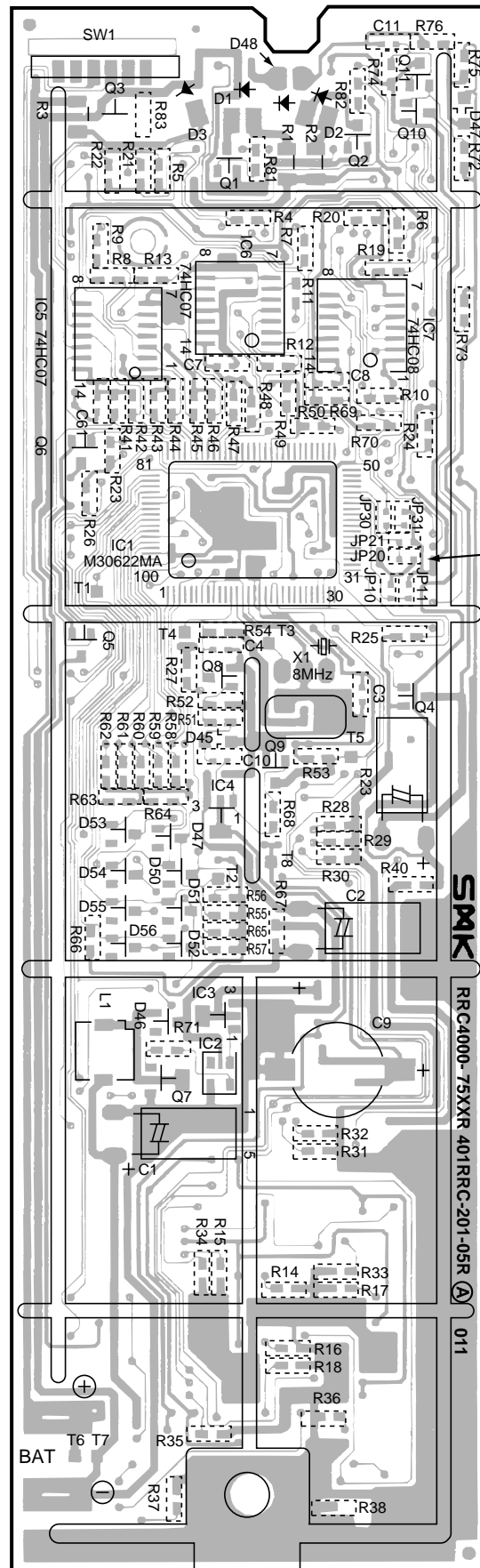
● PARTS LIST

Mark	No.	Description	Part No.
	1	Name Plate A	AZA7380
	2	Name Plate B (AXD7266)	AZA7396
	3	Rubber Sheet (AXD7266)	AZA7397
	4	Filter	AZA7340
	5	Terminal A (+)	AZB7141
	6	Terminal B (-)	AZB7142
	7	Spring	AZB7143
	8	Battery Cover	AZN7841
	9	Case (A)	AZN7832
	10	Case (B)	AZN7781
NSP	11	Illumi Plate	AZN7782
	12	PCB	AZW7260
	13	Knob	AZA7398
	14	Slide Switch	AZS7036
	15	Case A assy : 7266	AZN7864

7.3.2.2 PCB DIAGRAM



SIDE A

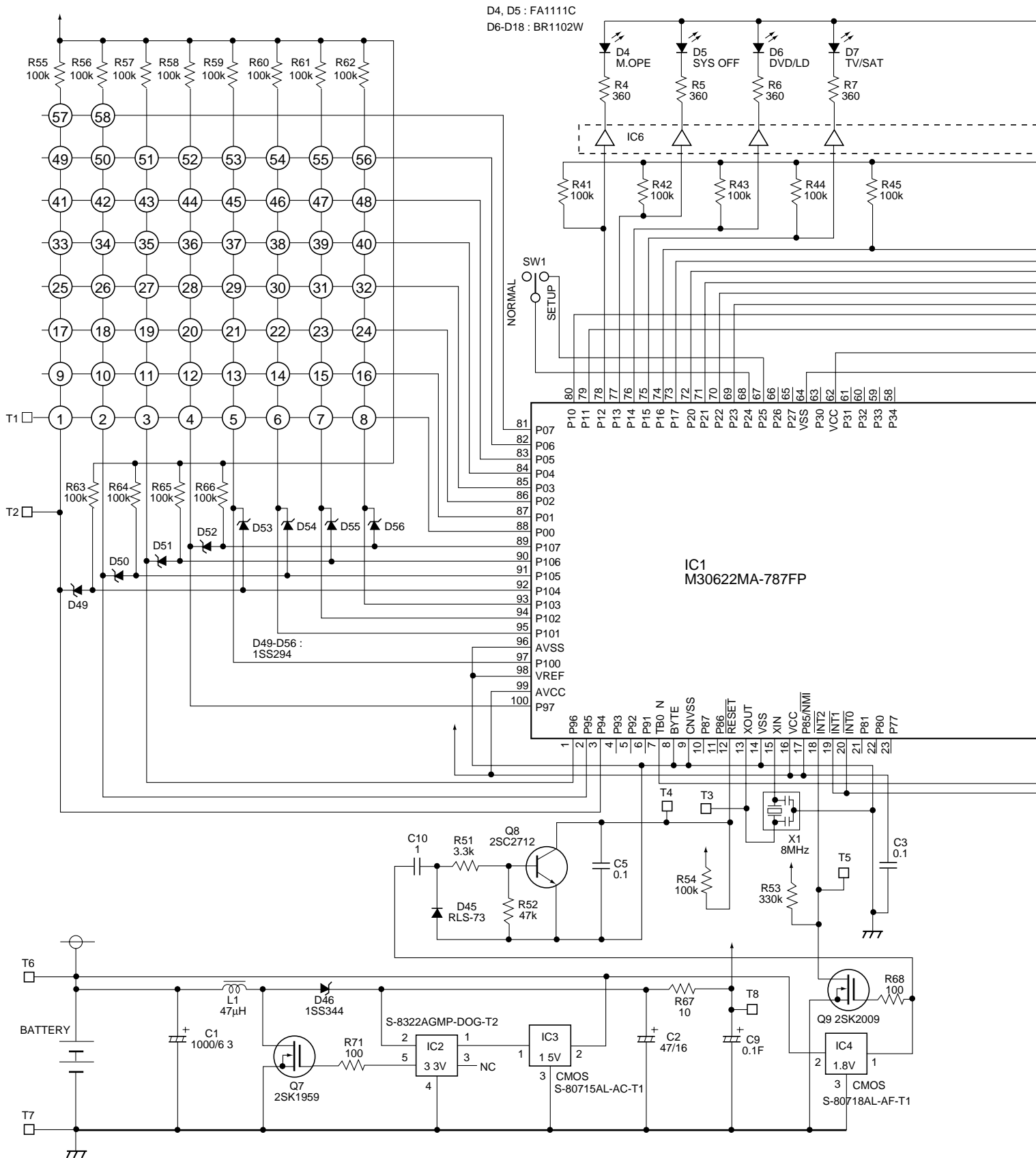


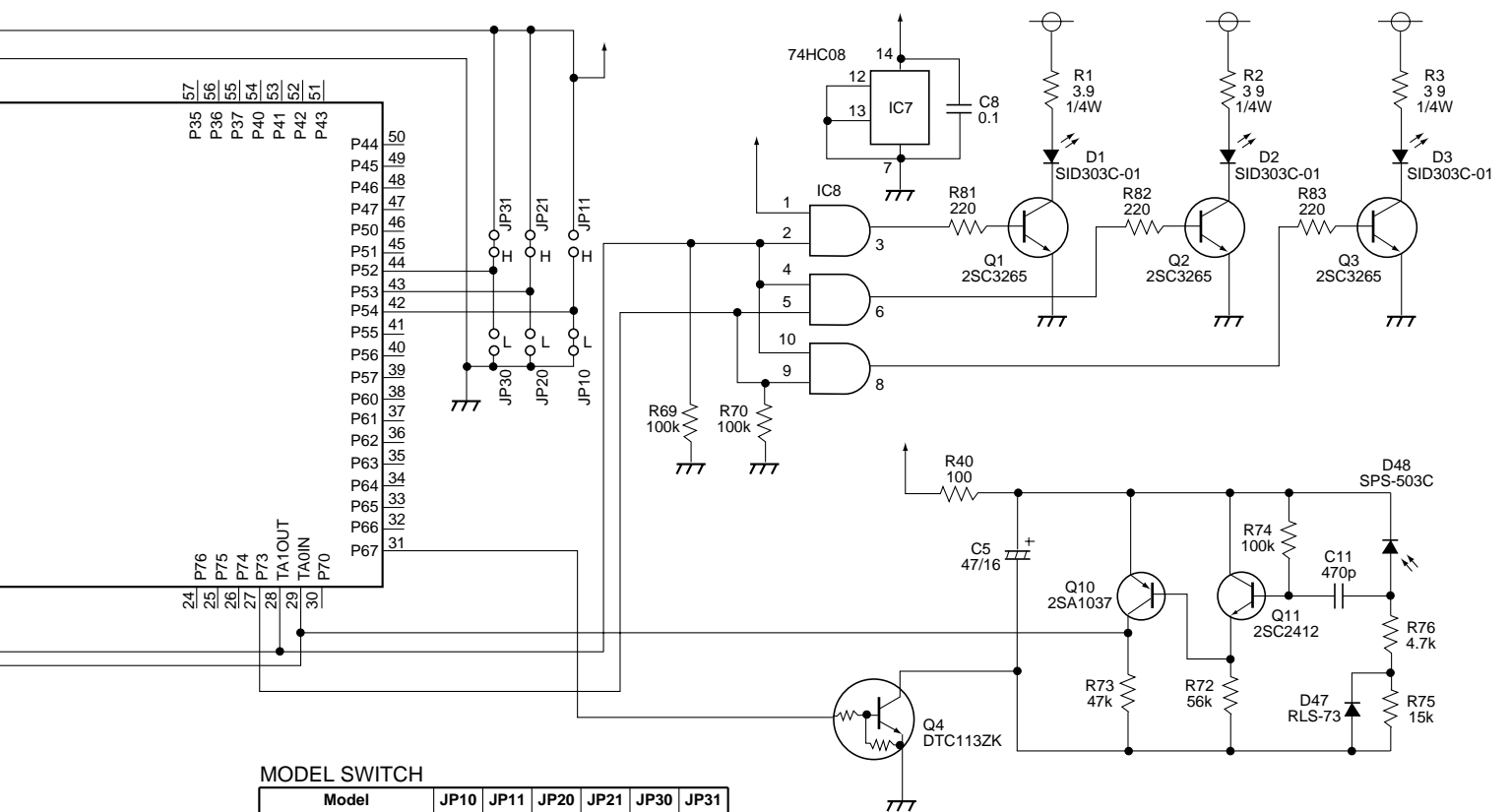
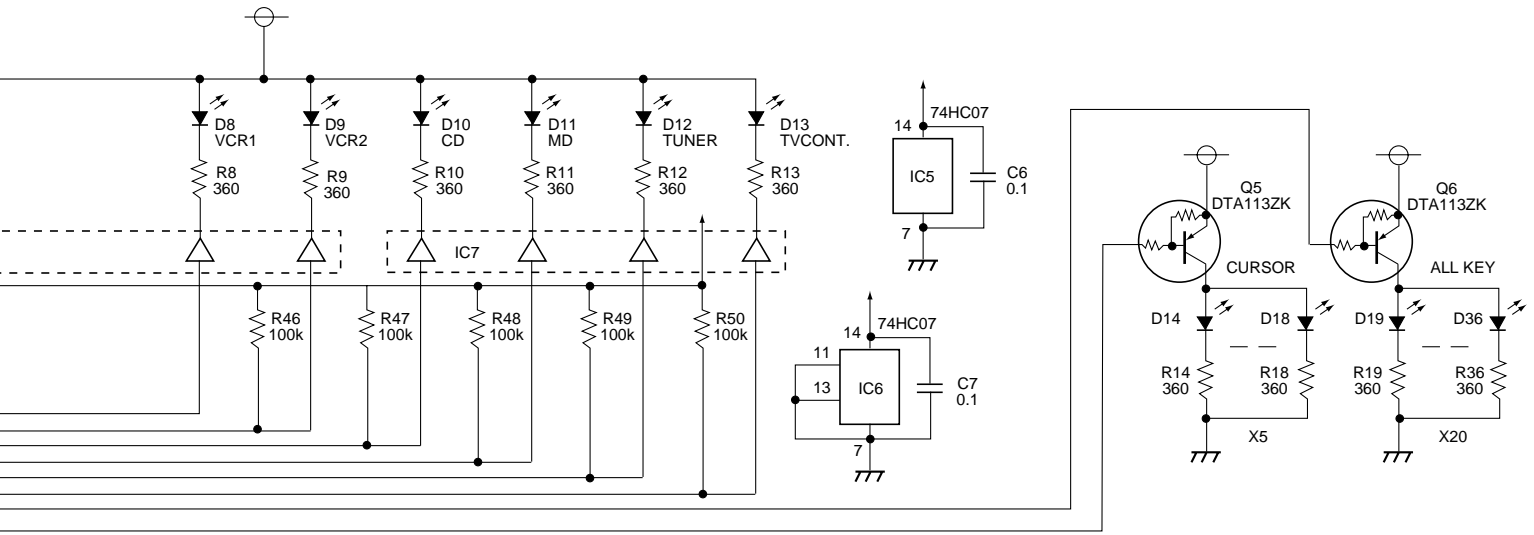
SIDE B

Open (Remove)
JP11, 20, 30,

A
B
C
D

7.3.2.3 SCHEMATIC DIAGRAM





MODEL SWITCH

Model	JP10	JP11	JP20	JP21	JP30	JP31
AXD7257, AXD7278	-	○	-	○	-	○
AXD7258, AXD7279	-	○	-	○	○	-
AXD7259	-	○	○	-	-	○
AXD7266	-	○	○	-	○	-
AXD7273	○	-	-	○	-	○
AXD7275	○	-	-	○	○	-

7.3.2.4 PCB PARTS LIST

NOTES: ● The Δ mark found on some component parts indicates the importance of the safety factor of the part. Therefore, when replacing, be sure to use parts of identical designation.

● When ordering resistors, first convert resistance values into code form as shown in the following examples.

Ex.1 When there are 2 effective digits (any digit apart from 0), such as 560 ohm and 47k ohm (tolerance is shown by J=5%, and K=10%).

560 Ω \rightarrow 56×10^1 \rightarrow 561 RD1/4PU 5 6 1 J
 47k Ω \rightarrow 47×10^3 \rightarrow 473 RD1/4PU 4 7 3 J
 0.5 Ω \rightarrow R50 RN2H R 5 0 K
 1 Ω \rightarrow 1R0 RS1P 1 R 0 K

Ex.2 When there are 3 effective digits (such as in high precision metal film resistors).

5.62k Ω \rightarrow 562×10^1 \rightarrow 5621 RN1/4PC 5 6 2 1 F

Mark	No.	Description	Part No.
	IC1		M30622MA-787FP
	IC2		S-8322AGMP-DOG-T2
	IC3		S-80715AL-AC-T1
	IC4		S-80718AL-AF-T1
	IC5,IC6		74HC07
	IC7		74HC08
	Q1-Q3		2SC3265
	Q4		DTC113ZK
	Q5,Q6		DTA113ZK
	Q7		2SK1959
	Q8		2SC2712
	Q9		2SK2009
	Q10		2SA1037
	Q11		2SC2412
	D1-D3		SID303C-01
	D6-D18		BR1102W
	D23-D36		CL190TD-CD
	D45,D47		RLS-73
	D46		1SS344
	D48		SPS-503C
	D49-D56		1SS294

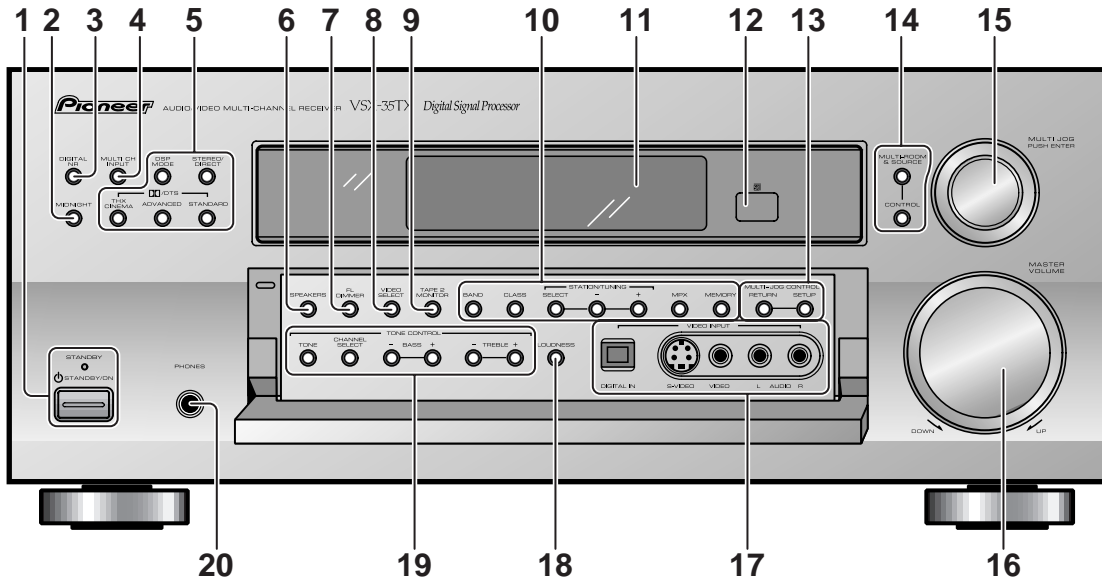
8. PANEL FACILITIES AND SPECIFICATIONS

8.1 PANEL FACILITIES

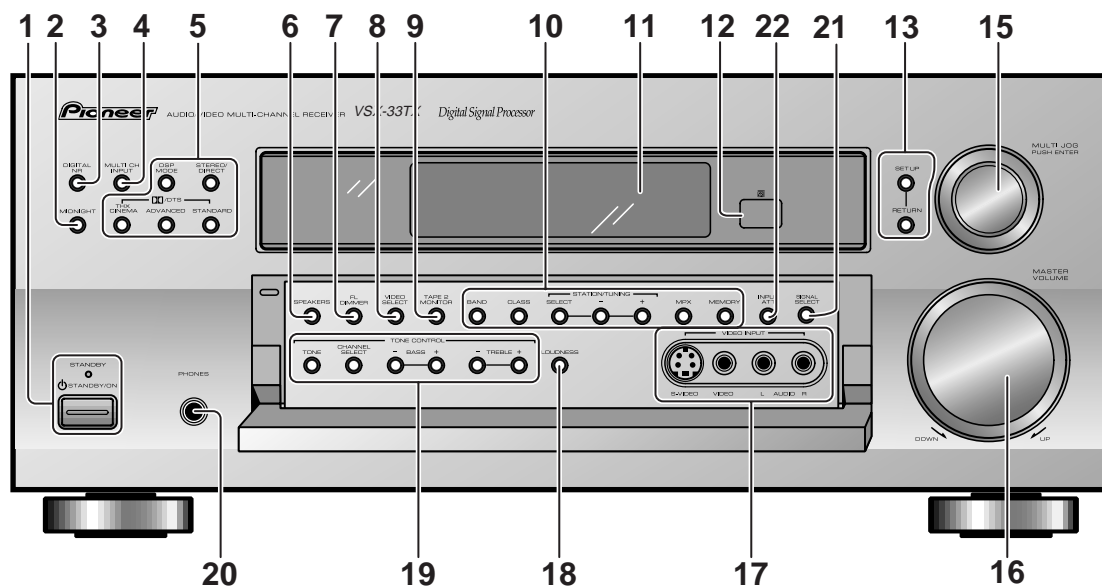
■ Front Section (VSX-35TX, VSX-33TX)

All the controls on the front panel are explained and/or referenced here. To open the front panel push gently on the lower third of the panel.

VSX-35TX



VSX-33TX



■ Front Section (for VSX-35TX and VSX-33TX)

1 **STANDBY/ON button**

Press to switch the receiver ON or into STANDBY mode.

STANDBY indicator

Lights when the receiver is in STANDBY mode. (Please note that this receiver consumes a small amount of power [1.0 W] in the standby mode.)

2 **MIDNIGHT button**

Switches the MIDNIGHT mode on or off (cannot be used in THX mode).

3 **DIGITAL NR button**

Switches the DIGITAL Noise Reduction on or off (cannot be used in THX mode).

4 **MULTI CH INPUT**

Use to hook up an external component that can decode other types of signals and input them into the VSX-35TX.

5 **DSP MODE button**

Press repeatedly to select a DSP sound mode. (HALL 1, HALL 2, JAZZ, DANCE, THEATER 1, or THEATER 2, 5/7 CH STEREO). Use these modes to produce surround sound from standard (two channel) stereo sources and create different listening environments.

STEREO/DIRECT button

Switches the receiver into STEREO mode if it was in a different sound mode (like ADVANCED THEATER) or toggles between DIRECT and STEREO mode. For more on STEREO mode.

DIRECT playback bypasses the tone controls and channel level for the most accurate reproduction of a program source.

/ **DTS buttons**

THX CINEMA – Cycles through the THX CINEMA, THX SURROUND EX or THX AUTO sound modes. Use when listening THX-certified sources if you have THX-certified speaker setup or want to re-create a THX-style sound environment. It is also appropriate for Dolby Digital, Dolby Pro Logic or DTS sources. Those with surround back speakers can use all three THX modes, those without should use the THX CINEMA mode.

ADVANCED THEATER – Use to select one of the four Advanced Theater modes. Use to create certain types of sound environments when listening to Dolby Digital, Dolby Pro Logic or DTS sources.

STANDARD – Use for pure decoding of multi channel sources, especially Dolby Digital, Dolby Pro Logic or DTS software.

6 **SPEAKERS (A/B) button**

Use to select the speaker system. A is the primary setting. It plays all speakers hooked up to the A system. A & B setting only plays the front speakers of both the A & B systems and the sub-woofer. Multi channel sources will be down-mixed to these speakers so no sound will be lost. B setting only plays the front speakers connected to the B system and multi channel sources will be down-mixed to these two speakers. The button cycles through the speaker systems as follows: A⇒B⇒A&B⇒off

7 **FL DIMMER button**

Use to adjust the brightness of the fluorescent display (FL = fluorescent display). Four levels of the brightness ranging from very dim to very bright can be selected. Each press changes the brightness of the display.

8 **VIDEO SELECT button**

Switches the receiver between the various types of video input while keeping the audio input the same.

9 **TAPE 2 MONITOR button**

Selects the tape deck (MD recorder, etc.) connected to the TAPE 2 MONITOR inputs/ outputs. Allows monitoring of a recording as it's being made.

10 **TUNER CONTROL buttons**

BAND – Press to select the AM or FM band.

CLASS – Press repeatedly to switch the preset station classes.

TUNING SELECT – Switches the STATION/ TUNING button between station memory and frequency select modes.

STATION -/+ – Selects station memories when using the tuner.

TUNING -/+ – Selects the frequency when using the tuner.

MPX – Press to switch between auto stereo and MONO reception of FM broadcasts. When the broadcast signal is weak, selecting MONO will improve the sound quality.

MEMORY – Press to start the memorization of a preset station.

11 **Display**

12 **Remote sensor**

Point the remote control toward the remote sensor to operate the receiver.

13 **MULTI-JOG CONTROL buttons**

SETUP – Press to switch the setup mode.

RETURN – Press to move back one step in the SETUP process.

14 MULTI-ROOM & SOURCE button**(VSX-33TX Only)**

Press to use the multi room feature (it's best to have an optional PIONEER Multi-Room Remote Sensor Unit MR-100 or another IR receiver for this feature).

CONTROL button Used together with the INPUT SELECTOR to select the function to select the volume of the MULTI ROOM system.

15 MULTI JOG dial

You can use this dial for three purposes. In normal mode turn it to select a source component or press it to switch the display between function mode and sound mode. When you press the SETUP button (13), you can use it to perform SETUP operations (turn to select, push to enter).

The source indicators show the current component:

DVD/LD – DVD player or LaserDisc player.

TV/SAT– TV or satellite tuner.

CD – Compact Disc player.

CD-R/TAPE1/MD – CD recorder, tape deck or Mini Disc recorder connected to CD-R/TAPE 1/MD inputs/outputs.

TUNER – The built-in tuner.

PHONO – Turntable.

VIDEO – Video camera (etc.) connected to the VIDEO INPUT on the front panel.

VCR1/DVR – Video cassette recorder connected to VCR1/DVR inputs.

VCR 2 – Video cassette recorder or other component connected to VCR 2 inputs.

16 MASTER VOLUME

Adjusts the overall receiver volume.

17 VIDEO INPUT jacks**DIGITAL IN: (VSX-35TX Only)**

Optical video input for connecting a video camera (or video game, portable DVD, etc.), that has an optical out.

S-VIDEO : Video input for connecting a video camera (etc.), that has an S-Video out.

VIDEO / AUDIO (L/R) : Video input for connecting a video camera, etc. that has standard video/audio outputs.

18 LOUDNESS button

Switches the LOUDNESS mode on or off (cannot be used in THX mode).

19 TONE button

This button has two functions. Firstly, it switches between TONE on and TONE BYPASS, which bypasses the tone circuitry. Secondly, you need to press the button before using the CHANNEL SELECT buttons to adjust the BASS & TREBLE (cannot be used in THX mode).

CHANNEL SELECT button

Switches the tone adjust controls between the FRONT, CENTER, SURROUND and SURROUND BACK speakers. You can then use the BASS and TREBLE controls to adjust the sound.

BASS (-/+) button

Use to adjust low frequencies.

TREBLE (-/+) button

Use to adjust the high frequencies.

20 PHONES jack

Connect headphones for private listening (no sound will be heard through the speakers).

21 SIGNAL SELECT button (VSX-33TX Only)

Press SIGNAL SELECT repeatedly to select one of the following:

ANALOG – Analog signal.

DIGITAL – Digital signal (DVD/LD, TV/SAT, CD, CD-R/TAPE 1/MD, VCR 1/DVR, VCR 2).

AUTO – This is the default. If there are both analog, digital, the receiver automatically selects the best possible signal.

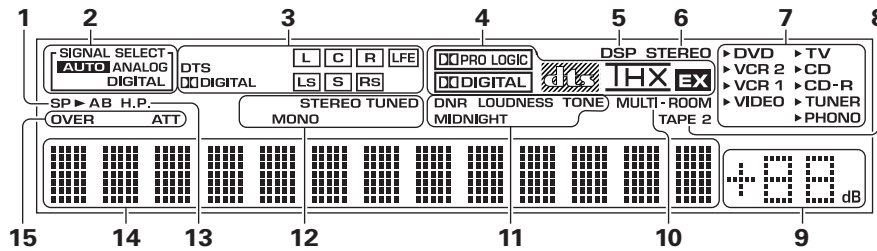
22 INPUT ATT button (VSX-33TX Only)

Use to lower the input level of an analog signal that is too powerful, thus causing the sound to distort (the OVER indicator will light when this is the case).

VSX-35TX, VSX-33TX

■ Display (for VSX-35TX)

All the display information is explained and /or referenced here.



1 Speaker indicators

Light to indicate the current speaker system, A and/or B.

2 SIGNAL SELECT indicators

Light to indicate the input signal you selected.

ANALOG – Lights when analog signals are assigned.

DIGITAL – Lights when digital audio signals are selected.

AUTO – Lights when the receiver is set to select the input signal automatically.

3 Program Format indicator

DOLBY DIGITAL – Lights when a source with Dolby Digital signals is played.

DTS – Lights when a source with DTS audio signals is played.

For Dolby Digital or DTS sources: These indicators change according to which channels are active in the source. When all three LS (left surround), S (surround) and RS (right surround) light at the same time it means a SURROUND EX source or a DTS ES source with surround back channels is being used.

L – Left front channel.

C – Center channel.

R – Right front channel.

LS – Left surround channel.

S – Surround channel (mono).

RS – Right surround channel.

LFE – Low Frequency Effects channel.

4 DOLBY/dts mode indicators

DOLBY DIGITAL – Indicates multi channel playback of a Dolby Digital source.

DOLBY PRO LOGIC – Lights when Dolby Pro Logic decoding is switched on.

dts – When the DOLBY/dts mode on the receiver is on, this indicator lights to indicate playback of a DTS signal.

THX – Lights when the HOME THX CINEMA mode is selected.

EX – Lights when decoding a Surround EX source.

5 DSP indicator

Light when a DSP or Advanced Theater mode is selected.

6 STEREO indicator

Lights when a STEREO mode is selected.

7 Source indicators

▶ indicator lights at the selecting source.

8 TAPE 2 indicator

Lights when the TAPE 2 monitor is on.

9 MASTER VOLUME indicator

Displays current volume level.

10 MULTI-ROOM indicator

Lights when the Multi-room system is on.

11 Sound control indicators

DNR – Lights when the digital NR is on.

LOUDNESS – Lights when the Loudness is on.

TONE – Lights when the Tone control is on.

MIDNIGHT – Lights when the Midnight mode is on.

12 Tuner indicators

STEREO – Lights when a FM stereo broadcast is received in the auto stereo mode.

TUNED – Lights when a broadcast is received.

MONO – Lights when the tuner is set to receive FM broadcasts with the mono mode selected.

13 H.P. (headphones)

Lights when headphones are connected to the PHONES jack (speakers systems A and B both turn off automatically).

14 Character display

Shows current mode, status, etc.

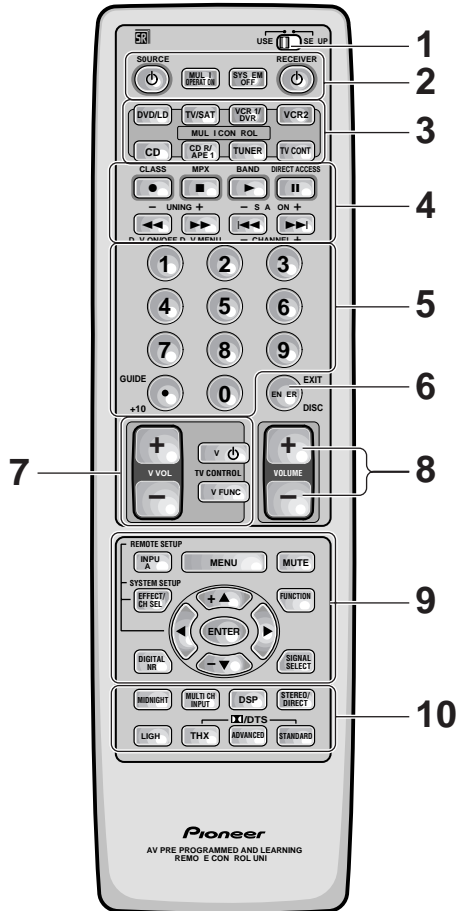
15 Analog level indicators

OVER – When the source signal is analog, this lights if the signal is in danger of distorting. Press INPUT ATT on the remote control to lower the signal level.

ATT – Lights when INPUT ATT is used to reduce the level of the analog source signal.

Remote Control Unit (VSX-35TX)

These pages describe the buttons on the remote control used to operate the receiver.



- 1 USE/SETUP slide switch**
Use to put the remote into receiver SETUP, or receiver USE mode.
 - 2 SOURCE button**
Use to turn on the power of your other components after you have recalled or taught the signals to this remote control.
- MULTI OPERATION button**
Use this button to start the MULTI OPERATION mode. for how to program and use the MULTI OPERATION mode.
- SYSTEM OFF button**
This button turns off components in two ways. First, when pressed it will turn off all PIONEER components. Secondly, any component that has programmed into the MULTI OPERATIONS settings will also be turned off

For example : If you programmed power on for your TV and VCR, pressing the SYSTEM OFF button will turn off these components even if they are not PIONEER products.

RECEIVER button

Press to turn power of the receiver on or to STANDBY (off).

3 MULTI CONTROL buttons

Use these to select a source and the corresponding remote operation mode.

For example, pressing TUNER selects the built in tuner and sets the remote operation to the tuner functions.

4 Component Control buttons

Use to control specific components, like a CD player or DVD player, after you have programmed the remote control to do these operations and the remote is put in that operation mode.

[Tuner control]

CLASS – Press repeatedly to switch the preset station classes.

MPX – Press to switch between auto stereo and MONO reception of FM broadcasts.

BAND – Press to select AM or FM band.

DIRECT ACCESS – Press to activate the direct access tuning mode.

TUNING +/- – Use to manually tune in to radio stations.

STATION +/- – Use to choose programmed radio stations.

5 Number buttons

These buttons can perform a variety of different functions depending on the remote operation mode. They are most useful for CD and tuner operations.

6 ENTER button

Use for controlling other components only.

7 TV CONTROL buttons

The following buttons are used to control the TV only and can be used no matter what function the remote control is set to.

TV SOURCE button – Press to turn the power of the TV on/off.

TV FUNC button – Press TV FUNC to select the TV for remote control operation.

TV VOL +/- button – Use to adjust the TV volume.

8 MASTER VOLUME buttons

Use to raise or lower the volume of the receiver.

9 INPUT ATT button (when USE mode is selected)

Use to lower the input level of an analog signal that is too powerful, thus causing the sound to distort (the OVERLOAD indicator will light).

REMOTE SETUP button (when SETUP mode is selected)

Use to customize the remote control functions and the remote control itself. (See "Setting Up the Remote Control to Control Other Components" , "Multi Operations"

MENU button

Use to get the various menus for your DVD, TV or DTV.

MUTE button

Press to mute or restore the volume.

EFFECT/CH SEL (when USE mode is selected) button .

EFFECT – Use these buttons to increase or decrease the amount of effect applied in a DSP or Advanced Theater mode. When the amount of effect is increased in a DSP/Advanced Theater mode the characteristics of that mode become stronger and more noticeable. The scale ranges from 10-90 with 70 as the default setting. First turn on the DSP/Advanced Theater you want (by pressing the DSP/Advanced Theater button until you get the mode) and then increase or decrease the amount of effect.

CH SEL – You may want to adjust the channels when listening to some sound sources. Use this button to select the channel you want to adjust.

SYSTEM SET UP button (when SETUP mode is selected)

Use to set up the speaker and sound systems. For more information see "Setting up for Surround Sound" .

FUNCTION button

Press to select a source. The button will cycle through all the possible sources.

▲(+)/▼(-)/◀/▶/ENTER buttons

Use to operate the on-screen menu on your TV screen and enter commands when setting up surround sound, speakers levels & settings, and other set up features .

They also can be used to operate DVD players, DTVs and other components after you have input the components preset codes. Specific use of these buttons is described in conjunction with the operations they perform. For more information see each individual section.

DIGITAL NR button

Press to switch Digital NR on or off.

SIGNAL SELECT button

Press SIGNAL SELECT repeatedly to select one of the following:

ANALOG – Analog signal.

DIGITAL – Digital signal (DVD/LD, TV/SAT, CD, CD-R/TAPE 1, VCR 1/DVR, VCR 2, VIDEO).

AUTO – This is the default. If there are analog, or digital signals input the receiver automatically selects the best possible signal.

10 MIDNIGHT button

Switches the MIDNIGHT mode on or off.

MULTI CH INPUT button .

Press to switch to multi channel input mode.

DSP button

Press to select a DSP sound mode. Repeated presses cycle through the different possible DSP modes.

STEREO/DIRECT button

Switches the receiver into STEREO mode if it was in a different sound mode (like ADVANCED THEATER) or or toggles between DIRECT and STEREO mode. For more on STEREO mode .

DIRECT playback bypasses the tone controls and channel level for the most accurate reproduction of a program source.

LIGHT button

Press to light the remote control buttons.

/DTS buttons

Press these buttons to put the receiver in the selected sound mode. For more information on these specific sound modes .

8.2 SPECIFICATIONS

Amplifier Section

VSX-35TX :

Continuous average power output of 90 watts* per channel, min., at 8 ohms, from 20 Hz to 20,000 Hz with no more than 0.09 % total harmonic distortion (front).**

Continuous Power Output

Front 90 W + 90 W (20 Hz – 20 kHz, 0.09 %, 8 Ω)
Center 90 W (20 Hz – 20 kHz, 0.09 %, 8 Ω)
Rear 90 W + 90 W (20 Hz – 20 kHz, 0.09 %, 8 Ω)

Input (Sensitivity/Impedance)

PHONO MM 4.7 mV/47 kΩ
VCR 1/DVR, VCR 2, DVD/LD, TV/SAT, VIDEO, CD,
CD-R/TAPE 1/MD, TAPE 2 335 mV/47 kΩ

Phono Overload level (T.H.D.0.1 %, 1kHz)

PHONO MM 120 mV

Frequency Response

PHONO MM 20 Hz to 20,000 Hz ± 0.3 dB
VCR 1/DVR, VCR 2, DVD/LD, TV/SAT, VIDEO, CD,
CD-R/TAPE 1/MD, TAPE 2 5 Hz to 100,000 Hz dB

Output (Level/Impedance)

VCR 1/DVR REC, VCR 2 REC, CD-R/TAPE 1/MD REC,
TAPE 2 REC 335 mV/2.2 kΩ

Tone Control

BASS ± 6 dB (100 Hz)
TREBLE ± 6 dB (10 kHz)
LOUDNESS +10 dB (100 Hz/10 kHz)

Signal-to-Noise Ratio (IHF, short circuited, A network)

PHONO MM 80 dB
VCR 1/DVR, VCR 2, DVD/LD, TV/SAT, VIDEO, CD,
CD-R/TAPE 1/MD, TAPE 2, MULTI CH IN 101 dB

Signal-to-Noise Ratio [EIA, at 1 W (1 kHz)]

PHONO MM 80 dB
VCR 1/DVR, VCR 2, DVD/LD, TV/SAT, VIDEO, CD,
CD-R/TAPE 1/MD, TAPE 2 83 dB

* Measured pursuant to the Federal Trade Commission's Trade Regulation rule on Power Output Claims for Amplifiers.

** Measured by Audio Spectrum Analyzer.

VIDEO Section (S jack)

Input (Sensitivity/Impedance)

VCR 1/DVR, VCR 2, VIDEO, DVD/LD, TV/SAT
Luminance signal (Y) 1 Vp-p/75 Ω
Chrominance signal (C) 0.286 Vp-p/75 Ω

Output (Level/Impedance)

VCR 1/DVR, VCR 2, MONITOR OUT
Luminance signal (Y) 1 Vp-p/75 Ω
Chrominance signal (C) 0.286 Vp-p/75 Ω

Frequency Response

VCR 1/DVR, VCR 2, VIDEO, DVD/LD, TV/SAT
Luminance signal (Y) 5 Hz to 10 MHz dB

Signal-to-Noise Ratio

Luminance signal (Y) 65 dB

Component Video Section

Input (Sensitivity)

Y 1 Vp-p/75 Ω
P_B/P_R 0.7 V

Output (Level/Impedance)

Y 1 Vp-p/75 Ω
P_B/P_R 0.7 V

Frequency Response

Y 5 Hz to 20 MHz dB
P_B/P_R 5 Hz to 13 MHz dB

VIDEO Section (Composite)

Input (Sensitivity/Impedance)

VCR 1/DVR, VCR 2, VIDEO, DVD/LD,
TV/SAT 1 Vp-p/75 Ω

Output (Level/Impedance)

VCR 1/DVR, VCR 2, MONITOR OUT,
MONITOR OUT2 1 Vp-p/75 Ω

Frequency Response

VCR 1/DVR, VCR 2, TV/SAT, DVD/LD
VIDEO→MONITOR OUT, 5 Hz to 10 MHz dB

Signal-to-Noise Ratio 65 dB

FM Tuner Section

Frequency Range 87.5 MHz to 108 MHz

Usable Sensitivity Mono: 13.2 dBf, IHF (1.3 μV/75 Ω)

50 dB Quieting Sensitivity Mono: 20.2 dBf

Stereo: 38.6 dBf

Signal-to-Noise Ratio Mono: 73 dB (at 85 dBf)

Stereo: 70 dB (at 85 dBf)

Distortion Stereo: 0.5 % (1 kHz)

Alternate Channel Selectivity 60 dB (400 kHz)

Stereo Separation 40 dB (1 kHz)

Frequency Response 30 Hz to 15 kHz (± 1) dB

Antenna Input 75 Ω unbalanced

AM Tuner Section

Frequency Range 530 kHz to 1,700 kHz

Sensitivity (IHF, Loop antenna) 350 μV/m

Selectivity 25 dB

Signal-to-Noise Ratio 50 dB

Antenna Loop antenna

Miscellaneous

Power Requirements AC 120 V, 60 Hz

Power Consumption 400 W, 550 VA

Power Consumption in Standby mode 1.0 W

AC Outlet SWITCHED (x2) Total 100 W (0.8 A) MAX

Dimensions 420 (W) × 173 (H) × 463 (D) mm

(16-9/16 (W) × 6-13/16 (H) × 18-1/4 (D) in.)

Weight (without package) 15.0 kg (33 lb 1 oz)

Furnished Parts

FM wire Antenna 1

AM loop Antenna 1

“AA” IEC LR6 batteries 2

Remote Control Unit 1

Operating Instructions 1

NOTE:

Specifications and the design are subject to possible modifications without notice, due to improvements.

VSX-35TX, VSX-33TX

Amplifier Section

VSX-33TX :

Continuous average power output of 80 watts* per channel, min., at 8 ohms, from 20 Hz to 20,000 Hz with no more than 0.09% total harmonic distortion (front).**

Continuous Power Output

Front 80 W + 80 W (20Hz-20 kHz, 0.09 %, 8 Ω)
Center 80 W (20Hz-20 kHz, 0.09 %, 8 Ω)
Rear 80 W + 80 W (20Hz-20 kHz, 0.09 %, 8 Ω)

Input (Sensitivity/Impedance)

VCR 1/DVR, VCR 2, DVD/LD, TV/SAT, VIDEO, CD,
CD-R/TAPE 1/MD, TAPE 2 335 mV/47 k Ω

Frequency Response

VCR 1/DVR, VCR 2, DVD/LD, TV/SAT, VIDEO, CD,
CD-R/TAPE 1/MD, TAPE 2 5 Hz to 100,000 Hz dB
VCR 1/DVR REC, VCR 2 REC, CD-R/TAPE 1/MD REC,
TAPE 2 REC 335 mV/2.2 k Ω

Tone Control

BASS \pm 6 dB (100 Hz)
TREBLE \pm 6 dB (10 kHz)
LOUDNESS +10 dB (100 Hz/10 kHz)

Signal-to-Noise Ratio (IHF, short circuited, A network)

VCR 1/DVR, VCR 2, DVD/LD, TV/SAT, VIDEO, CD,
CD-R/TAPE 1/MD, TAPE 2 101 dB
MULTI CH IN 101 dB

Signal-to-Noise Ratio [EIA, at 1 W (1 kHz)]

VCR 1/DVR, VCR 2, DVD/LD, TV/SAT, VIDEO, CD,
CD-R/TAPE 1/MD, TAPE 2 83 dB

* Measured pursuant to the Federal Trade Commission's Trade Regulation rule on Power Output Claims for Amplifiers.

** Measured by Audio Spectrum Analyzer.

VIDEO Section (S jack)

Input (Sensitivity/Impedance)

VCR 1/DVR, VCR 2, VIDEO, DVD/LD, TV/SAT
Luminance signal (Y) 1 V_{p-p}/75 Ω
Chrominance signal (C) 0.286 V_{p-p}/75 Ω

Output (Level/Impedance)

VCR 1/DVR, VCR 2, MONITOR OUT
Luminance signal (Y) 1 V_{p-p}/75 Ω
Chrominance signal (C) 0.286 V_{p-p}/75 Ω

Frequency Response

VCR 1/DVR, VCR 2, VIDEO, DVD/LD, TV/SAT
Luminance signal (Y) 5 Hz to 10 MHz dB

Signal-to-Noise Ratio

Luminance signal (Y) 65 dB

VIDEO Section (Composite)

Input (Sensitivity/Impedance)

VCR 1/DVR, VCR 2, VIDEO, DVD/LD,
TV/SAT 1 V_{p-p}/75 Ω

Output (Level/Impedance)

VCR 1/DVR, VCR 2, MONITOR OUT 1 V_{p-p}/75 Ω

Frequency Response

VCR 1/DVR, VCR 2, TV/SAT, DVD/LD
VIDEO \rightarrow MONITOR OUT, 5 Hz to 10 MHz dB

Signal-to-Noise Ratio 65 dB

FM Tuner Section

Frequency Range 87.5 MHz to 108 MHz

Usable Sensitivity Mono: 13.2 dBf, IHF (1.3 μ V/75 Ω)

50 dB Quieting Sensitivity Mono: 20.2 dBf

Stereo: 38.6 dBf

Signal-to-Noise Ratio Mono: 73 dB (at 85 dBf)

Stereo: 70 dB (at 85 dBf)

Distortion Stereo: 0.5 % (1 kHz)

Alternate Channel Selectivity 60 dB (400 kHz)

Stereo Separation 40 dB (1 kHz)

Frequency Response 30 Hz to 15 kHz (\pm 1) dB

Antenna Input 75 Ω unbalanced

AM Tuner Section

Frequency Range 530 kHz to 1,700 kHz

Sensitivity (IHF, Loop antenna) 350 μ V/m

Selectivity 25 dB

Signal-to-Noise Ratio 50 dB

Antenna Loop antenna

Miscellaneous

Power Requirements AC 120 V, 60 Hz

Power Consumption 400 W, 550 VA

Power Consumption in Standby mode 1.0 W

AC Outlet SWITCHED (x2) Total 100 W (0.8 A) MAX

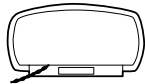
Dimensions 420 (W) \times 173 (H) \times 463 (D) mm
(16-9/16 (W) \times 6-13/16 (H) \times 18-1/4 (D) in.)

Weight (without package) 14.6 kg (32 lb 3 oz)

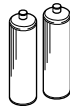
Accessories (VSX-35TX / VSX-33TX)



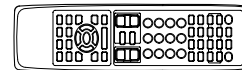
FM wire antenna
(ADH7004)



AM loop antenna
(ATB7009)



"AA" IEC LR6 batteries x 2



Remote control unit
(Remocon35 : AXD7266)
VSX-35TX
(Remocon33 : AXD7267)
VSX-33TX